



## Scanning Stage SCAN<sup>plus</sup> 75 × 50 with Integrated Measuring System

### Specifications

Travel range	max. 76 × 52 mm
Travel speed	max. 50 mm/s (with 2 mm ball screw pitch)
Repeatability	< 1 µm (bi-directional) <sup>1</sup>
Accuracy	±1 µm <sup>1</sup>
Resolution	0.05 µm (smallest step size)
Orthogonality	< 10 arcsec
Motor	2-phase stepper motor
Limit switches	optical light beams
Stage opening	160 × 116 mm
Material / surface	aluminium / anodic coating, black laquered
Weight	approx. 2.6 kg (without stage insert)

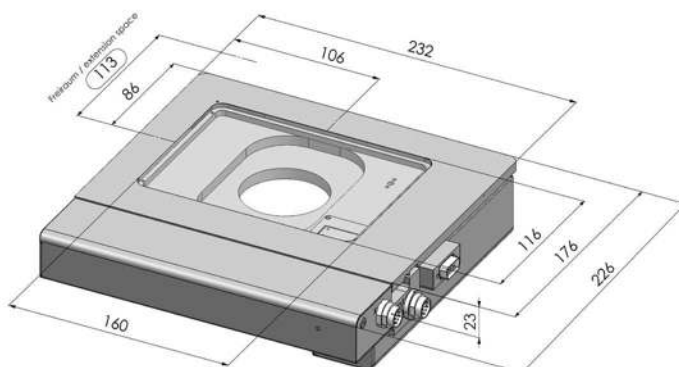
### Order Information

Order No.: 00-24-594-0000  
(2 mm ball screw pitch)

### Product Features

- ▶ highest accuracy through integrated linear measuring systems
- ▶ flat, ergonomic design with rounded corners
- ▶ plain surface for easy cleaning
- ▶ exchangeable stage inserts for different kinds of applications
- ▶ motor/encoder cable connections front right
- ▶ integrated electronic stage identification device ETS for automatic identification of the scanning stage and parametrization of the controller
- ▶ **5 years guarantee**, if the scanning stage is operated in the system with the Märzhäuser TANGO controller

### Dimensions



### Accessories

Glass plate (included in delivery)  
Order No.: 00-24-427-0810

Stage insert for 1 slide 76 × 26 mm (3" × 1")  
Order No.: 00-24-427-8030