

## 205U/CA Multi-Channel Cartridge Pump

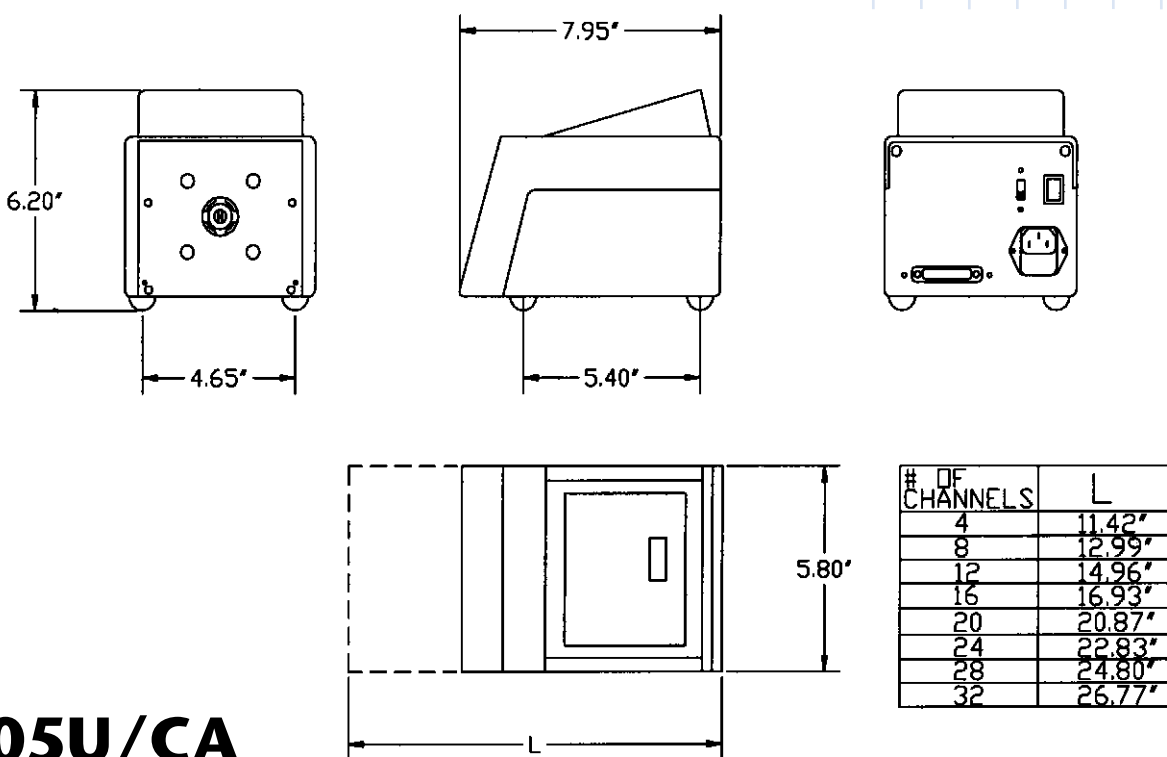


- Auto/manual select through keypad
- Flow rates from 0.0003 to 22.0 mL/min
- PWM, microprocessor controlled closed loop speed regulation
- Manual speed control via membrane keypad
- Remote speed control via analog signals up to 30 V or 32 mA, or potentiometer
- Manual control of stop/start, direction and priming via membrane keypad
- Remote operation of stop/start and direction via contact or TTL switching
- Motor running/stopped status via 5 V Hi/Low signal output
- 5 V square wave or analog tacho output
- 25 pin D connection for analog control
- Instant stop, and reverse
- LCD display of pump speed
- "Auto restart", and "Keypad lock" functions
- Fitted with 205CA 8-roller low pulse pump head
- Accepts manifold tube elements, 0.13 mm to 2.79 mm bore
- Versions from 4 to 32 channels available

### Flow rate ranges (ml/min)

Tube code	Orange/Black	Orange/Red	Orange/Blue	Orange/Green	Orange/Yellow	Orange/White	Black/Black	Orange/Orange	White/White	Red/Red
Bore mm	0.13	0.19	0.25	0.38	0.50	0.63	0.76	0.88	1.02	1.14
Bore in	0.005	0.007	0.010	0.015	0.020	0.025	0.030	0.035	0.040	0.045
0.5 rpm	0.0006	0.0009	0.0013	0.0036	0.0056	0.0083	0.011	0.016	0.012	0.026
90 rpm	0.099	0.15	0.23	0.65	1.01	1.49	2.02	2.92	3.76	4.68

Tube Code	Grey/Grey	Yellow/Yellow	Yellow/Blue	Blue/Blue	Green/Green	Purple/Purple	Purple/Black	Purple/Orange	Purple/White
Bore mm	1.29	1.42	1.52	1.65	1.85	2.05	2.38	2.54	2.79
Bore in	0.050	0.055	0.060	0.065	0.070	0.080	0.095	0.100	0.110
0.5 rpm	0.033	0.040	0.043	0.051	0.063	0.076	0.092	0.11	0.12
90 rpm	5.94	7.20	7.69	9.12	11.3	13.8	16.5	19.3	22.0



## 205U/CA Multi-Channel Cartridge Pump

### Specifications

**Shipping Weight:** 18 lbs plus 2 lbs for each additional 4 channels

**Maximum Power Consumption:** 100 VA

**Supply:** 100-120/220-240 V, 50/60 Hz

**Maximum Rotor Speeds:** 90 rpm

**Minimum Rotor Speeds:** 0.5 rpm

**Enclosure:** IP31

**Operational Temperature Range:** 5 to 40°C

**Storage Temperature Range:** -40 to 70°C

**Noise:** < 70 dBA at 1 meter

**Standards:** CE, IEC 335-1, EN60529(IP31)

**Machinery Directive:** 89/392/EEC and EN60204-1

**Low Voltage Directive:** 73/23/EEC and EN61010-1

**EMC Directive:** 89/336/EEC and EN50081/82-1

#### Product Codes:

4 channels	020.5704.00A
8 channels	020.3708.00A
12 channels	020.3712.00A
16 channels	020.3716.00A
20 channels	020.3720.00A
24 channels	020.3724.00A
28 channels	020.5728.00A
32 channels	020.5732.00A

### Materials of Construction

**Cassettes:** Delrin

**Rotor:** Aluminum endplates, stainless steel rollers

**Pumphead Body:** Aluminum chassis, brass sun gear, acetal planetary gears

**Drive:** Aluminum case upper, painted steel base, polyester keypad