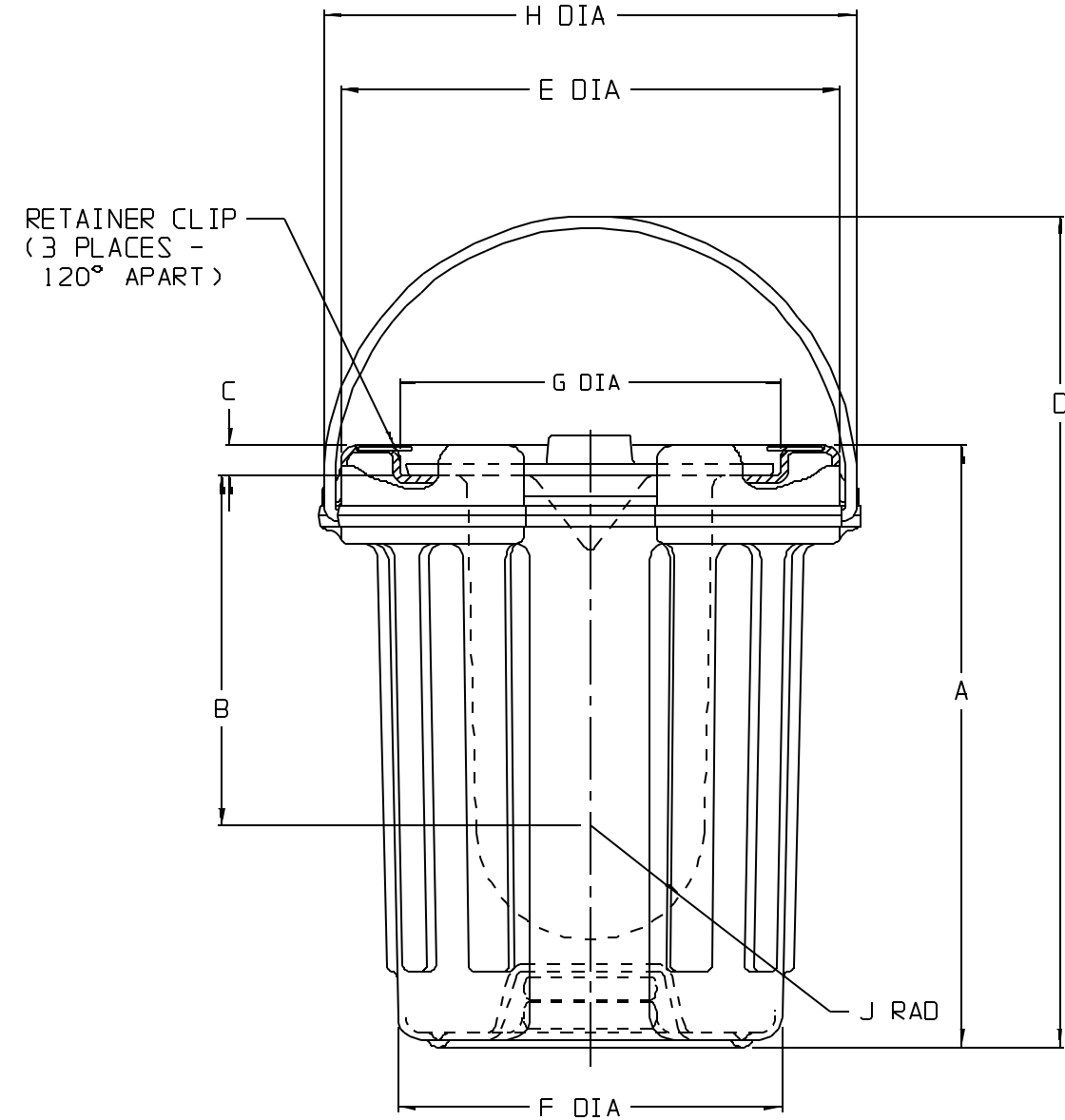


CATALOG NO.	NOMINAL CAPACITY, (L)				MATERIALS				
					FLASK	COVER	RETAINER CLIP	HANDLE	FOAM INSULATION
004150-	1	2	5	10	HDPE	HDPE	ANODIZED ALUMINUM	PVC COATED STEEL	CFC-FREE URETHANE

SIZE CODE	-1000		-2000	
SIZE (NOMINAL VOLUME, L)	1		2	
PART WT. (gns)	1250		1500	
	INCH	MM	INCH	MM
DIM A	9.9	251	11.1	282
DIM B	5.8	147	6.7	170
DIM C	.5	13	.5	13
DIM D	13.3	338	15.0	381
E DIA (O.D. AT TOP)	8.2	208	9.3	236
F DIA (O.D. BELOW RIBS)	6.3	160	7.3	185
G DIA (I.D. OF COVER RECESS)	6.2	157	7.3	185
H DIA (O.D. TOP W/ HANDLES)	8.6	218	9.6	244
J RAD (INSIDE SPHERICAL RADIUS)	1.9	48	2.4	61

SIZE CODE	-4000		-9000	
SIZE (NOMINAL VOLUME, L)	5		10	
PART WT. (gns)	2200		4180	
	INCH	MM	INCH	MM
DIM A	13.9	353	18.5	470
DIM B	8.5	216	11.7	297
DIM C	.5	13	.5	13
DIM D	18.9	480	24.9	632
E DIA (O.D. AT TOP)	11.0	279	13.8	351
F DIA (O.D. BELOW RIBS)	8.9	226	11.9	302
G DIA (I.D. OF COVER RECESS)	8.9	226	11.6	295
H DIA (O.D. TOP W/ HANDLES)	11.4	290	14.1	358
J RAD (INSIDE SPHERICAL RADIUS)	3.1	79	3.9	99



SPECS ON BACK

NOT TO SCALE

NOTES:

1. ALL DIMENSIONS ARE NOMINAL AND IN INCHES AND MILLIMETERS UNLESS OTHERWISE NOTED.
2. THIS IS NOT A PRODUCTION DRAWING, BUT IS FOR INFORMATIONAL PURPOSES ONLY, AND IS SUBJECT TO CHANGE WITHOUT NOTICE.

CONFIDENTIAL

THIS PRODUCT SPECIFICATION SHEET CONTAINS CONFIDENTIAL AND/OR PROPRIETARY INFORMATION AND IS TO BE USED ONLY FOR THE EXPRESSED PURPOSES AGREED UPON BY AN AUTHORIZED OFFICER OF THERMO FISHER SCIENTIFIC.

ThermoFisher
SCIENTIFIC

Thermo Fisher Scientific
75 Panorama Creek Drive
Rochester, NY 14625-2385, USA

MADE	ISP	APP'D	PVC	PSS 00-4150-XXXX-1	REV. 0602
CK'D	PVC		6/25/02		

DESCRIPTION:

DEWAR FLASK