

400RXMD DriveSure pumps

400 series

Watson-Marlow Pumps

FEATURES

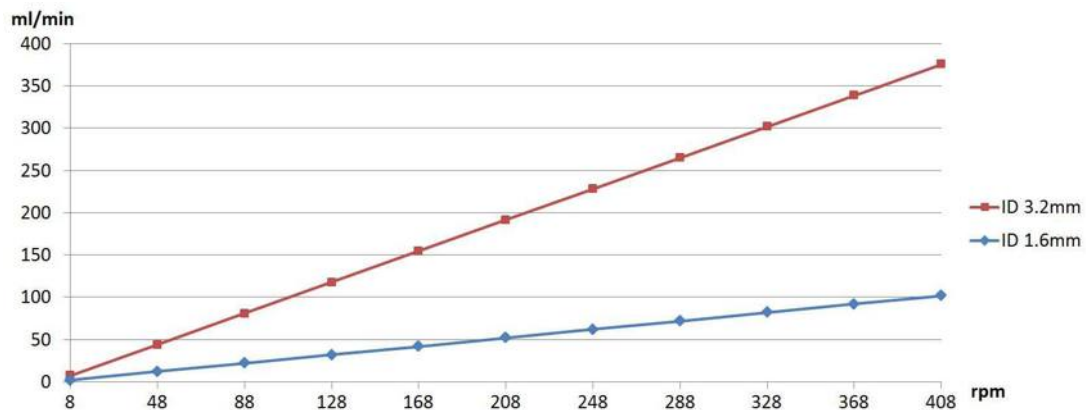
- Three different pumphead pressure settings up to 6 bar (87psi) back pressure, with flow rates up to 400 ml/min
- Optional customised pressure setting for optimal performance
- Flow direction arrows for user guidance and transparent safety guard for visible running detection
- 8rpm to 408rpm speed range ability with our purpose designed and manufactured gearbox
- Drive noise level lower than 46dB @ 1m – well suited for medical applications
- Easy to fit, set up and control via 0-10V or 4-20mA (optional)
- Provides a low cost of ownership, single supplier and a guaranteed plug and play solution
- Drive component conforms to UL 61010-1



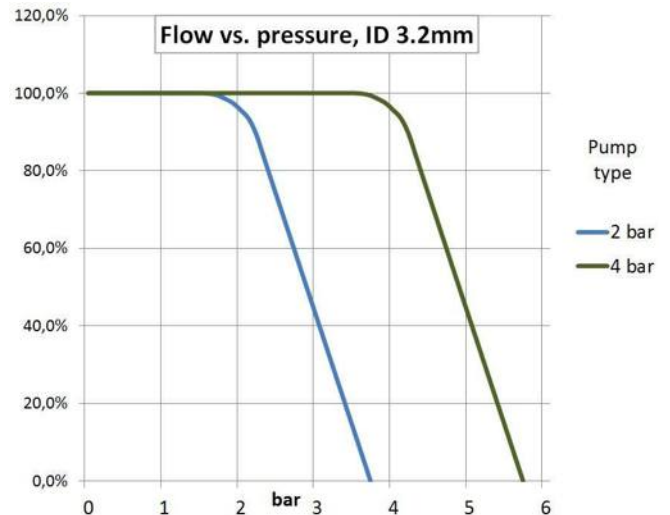
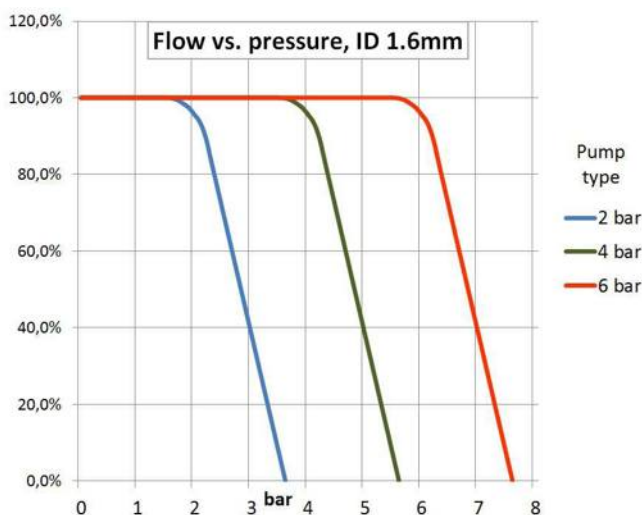
Watson-Marlow...Innovation in Full Flow

PERFORMANCE

Flow vs. Tube dimension and rotation speed (revolutions per minute)

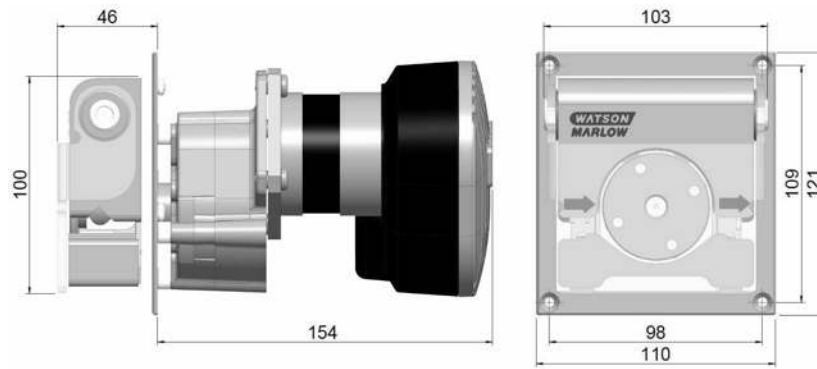


Pressure performance



Pressure performance is valid for standard pumps with Tygon E3603 at 200rpm

DIMENSIONS



Dimensions in [mm]

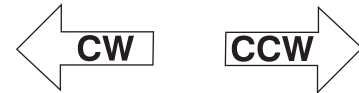
SPECIFICATIONS

Pump type	Single channel pump
Motor type	DriveSure
Recommended use	Continuous or intermittent applications
Motor speed - Brushless DriveSure	8 - 408rpm
Operation	CW or CCW
Supply voltage	24V DC
Brushes	None
Operating temperature	+5 to +40C (+40F to +104F)
Weight	1,95kg (4.3lb)

MATERIALS OF CONSTRUCTION

Component	Material
Housing	Anodised aluminium
Track	
Rotor	Stainless steel
Rollers	
Tube holder	
Track holder	
Shafts	
Springs	
Safety lid	Acrylic glass
Plain bearings	Acetal

Direction of flow vs. rotation



Electrical parameters			
Standard Motor	Min. power (W)	Max. power (W)	Current consumption
DriveSure	15W @ 2 bar ID 1.6mm	25W @ 4 bar ID 3.2mm	Continuous 1A, peak 3.1A

ORDER INFORMATION

RXMD	
Part number	Product description
040.TW27.031	400DS/RXMD CW 1.6mm 2 bar
040.TW27.032	400DS/RXMD CW 1.6mm 4 bar
040.TW27.033	400DS/RXMD CW 1.6mm 6 bar
040.TW27.011	400DS/RXMD CCW 1.6mm 2 bar
040.TW27.012	400DS/RXMD CCW 1.6mm 4 bar
040.TW27.013	400DS/RXMD CCW 1.6mm 6 bar
040.TW27.034	400DS/RXMD CW 3.2mm 2 bar
040.TW27.035	400DS/RXMD CW 3.2mm 4 bar
040.TW27.014	400DS/RXMD CCW 3.2mm 2 bar
040.TW27.015	400DS/RXMD CCW 3.2mm 4 bar

Tube ordering codes		
Bore/wall	Tygon E-LFL	E3603 (PVC)
1.6mm/1.6mm	E-LFL.0016.016	E3603.016.16
3.2mm/1.6mm		E3603.032.16

All flow rates shown were obtained pumping water at 20C (68F) with zero suction and delivery heads. Watson-Marlow, Bioprene and Marprene are trademarks of Watson-Marlow Limited. Disclaimer: The information contained in this document is believed to be correct but Watson-Marlow Limited accepts no liability for any errors it contains, and reserves the right to alter specifications without notice. LoadSure is a trademark of Watson-Marlow Limited. STA-PURE PFL® and STA-PURE PCS® are registered trademarks of W.L. Gore & Associates Inc. Please state the product code when ordering pumps and tubing.

Alitea
OEM Pumps