



Thermo Scientific Forma 8600 Series

-40C and -86C ULT Chest Freezer

Operating and Maintenance Manual 7028700 Rev. 12

Important installer and user information:

A redundant temperature sensing device has been included in this ULT freezer. This device is a type “T” thermocouple. For convenient access, the thermocouple (Figure 1-3) terminates in an interconnect jack (Figure 1-5) behind the base front cover. (May be located differently in chests. See Section 1.) It is strongly recommended that this thermocouple be attached to a redundant 24 hour 7 day monitoring system with alarm capabilities. Connecting the sensor to a monitoring and alarm system separate from the freezer provides the utmost in product safety, should the integral system fail. ▲

Packing List

Part No.	Description	Qty
213F	Key	2
380520	Neoprene Cap	2
510016	1/4-20 x 5-1/2" Bolt	2
195763	Retaining Clip	1
370563	Remote Alarm Connector	1

-86C Models Covered

Number	Cu. ft.	Voltage/Hz
803CA	3	120/60
803CV	3	230/50
813CV	12.7	230/50
813CD	12.7	208-230/60
813CA	12.7	120/60
817CA	17	120/60
817CV	17	230/50
817CD	17	208-230/60
820CV	20	230/50
820CD	20	208-230/60
820CA	20	120/60

-40C Models Covered

Number	Cu. ft.	Voltage/Hz
703CA	3	120/60
703CV	3	230/50
713CV	12.7	230/50
713CD	12.7	208-230/60
713CA	12.7	120/60
717CA	17	120/60
717CV	17	230/50
717CD	17	208-230/60
720CV	20	230/50
720CD	20	208-230/60
720CA	20	120/60

MANUAL NUMBER 7028700

12	ECNM-000625	01/17/20	Updated Intended and Unintended use, Safety precautions, Regulatory Compliance, Warning and Caution symbols. Removed statement related to foam blown in page 7.5. Updated Charge Quantity for -86°C in page 7-5. Updated Assembly, Electrical and Refrigeration Schematic Drawings.	TFI
11	ECNM-000576	10/30/19	Updated Assembly, Refrigeration and Electrical Schematic Drawings.	TFI
10	31514	8/25/17	Updated drawing 195967-90-1	bpg
9	41370	6/1/17	Updated BUS board info	bpg



Important Read this operating manual. Failure to read, understand and follow the instructions in this manual may result in damage to the unit, injury to operating personnel, and poor equipment performance. ▲

Caution All internal adjustments and maintenance must be performed by qualified service personnel. ▲

Material in this manual is for information purposes only. The contents and the product it describes are subject to change without notice. Thermo Fisher Scientific makes no representations or warranties with respect to this manual. In no event shall Thermo be held liable for any damages, direct or incidental, arising out of or related to the use of this manual.

Intended Use: Thermo Scientific Forma 8600 Series -40°C and -86°C Ultra-Low Temperature (ULT) Chest Freezers described in this manual are intended to preserve samples by storing them at operating temperatures between -10°C and -40°C (-40°C units) or -50°C and -86°C (-86°C units).

The Freezers are intended for use:

- As a storage device in research use
- As a storage device in medical applications

Non-Intended Use: The Freezers are not intended to store samples that are re-introduced to the human body. The Freezers are not intended for use in classified hazardous locations and not to be used for the storage of flammable inventory.

© 2020 Thermo Fisher Scientific. All rights reserved.

Safety precautions



This symbol when used alone indicates important operating instructions which reduce the risk of injury or poor performance of the unit.



WARNING: This symbol indicates potentially hazardous situations which, if not avoided, could result in serious injury or death.



WARNING: This symbol indicates situations where dangerous voltages exist and potential for electrical shock is present.



CAUTION: This symbol, in the context of a CAUTION, indicates a potentially hazardous situation which if not avoided could result in minor to moderate injury or damage to the equipment.



CAUTION: This indicates a situation which may result in property damage.



Before installing, using or maintaining this product, please be sure to read the manual and product warning labels carefully. Failure to follow these instructions may cause the product to malfunction, which could result in injury or damage.



This symbol indicates possible pinch points which may cause personal injury.



The snowflake symbol indicates low temperatures and risk of frost bite. Do not touch bare metal or samples with unprotected body parts.



This symbol indicates a need to use gloves during indicated procedures. If performing decontamination procedures, use chemically resistant gloves. Use insulated gloves for handling samples.

Below are important safety precautions that apply to this product:



Use this product only in the way described in the product literature and in this manual. Before using it, verify that this product is suitable for its intended use. If the equipment is used in a manner not specified by the manufacturer, the protection provided by the equipment may be impaired.



Do not modify system components, especially the controller. Use OEM exact replacement equipment or parts. Before use, confirm that the product has not been altered in any way.



WARNING: Your unit must be properly grounded in conformity with national and local electrical codes. Do not connect the unit to overloaded power sources.



WARNING: Disconnect the unit from all power sources before cleaning, troubleshooting, or performing other maintenance on the product or its controls.



WARNING: This unit is not for storage of flammable materials.



WARNING: Unauthorized repair of your freezer will invalidate your warranty. Contact Technical Service at 1-800-438-4851 for additional information.



WARNING: No equipment that uses an open flame should be placed inside the freezer. This will harm the unit, hamper functionality and compromise your safety.



CAUTION: Do not use any battery powered or externally-powered equipment in the freezer.



Equipment being maintained or serviced must be turned off and locked off to prevent possible injury.

Do You Need Information or Assistance on Thermo Scientific Products?

If you do, please contact us 8:00 a.m. to 6:00 p.m. (Eastern Time) at:

1-740-373-4763

1-800-438-4851

1-877-213-8051

<http://www.thermofisher.com>

service.led.marietta@thermofisher.com

www.unitylabservices.com

Direct

Toll Free, U.S. and Canada

FAX

Internet Worldwide Web Home Page

Tech Support Email Address

Certified Service Web Page

Our **Sales Support** staff can provide information on pricing and give you quotations. We can take your order and provide delivery information on major equipment items or make arrangements to have your local sales representative contact you. Our products are listed on the Internet and we can be contacted through our Internet home page.

Our **Service Support** staff can supply technical information about proper setup, operation or troubleshooting of your equipment. We can fill your needs for spare or replacement parts or provide you with on-site service. We can also provide you with a quotation on our Extended Warranty for your Thermo Scientific products.

Whatever Thermo Scientific products you need or use, we will be happy to discuss your applications. If you are experiencing technical problems, working together, we will help you locate the problem and, chances are, correct it yourself...over the telephone without a service call.

When more extensive service is necessary, we will assist you with direct factory trained technicians or a qualified service organization for on-the-spot repair. If your service need is covered by the warranty, we will arrange for the unit to be repaired at our expense and to your satisfaction.

Regardless of your needs, our professional telephone technicians are available to assist you Monday through Friday from 8:00 a.m. to 6:00 p.m. Eastern Time. Please contact us by telephone or fax. If you wish to write, our mailing address is:

Thermo Fisher Scientific (Asheville) LLC
401 Millcreek Road, Box 649
Marietta, OH 45750

International customers, please contact your local Thermo Scientific distributor.

Table of Contents

Section 1	Installation and Start-up	1-1
	Control Panel Keys, Display, Indicators	1-5
	Install Freezer	1-7
	Displays	1-7
	RS-232 Communications	1-8
	Install Wall Bumpers	1-8
	Choose Location	1-8
	Remote Alarm Contacts and Analog Output	1-9
	Connect Unit to Electrical Power	1-10
	Attach Power Cord	1-10
	Freezer Start-Up	1-11
	Set Operating Temperature	1-11
	Set Low Temperature Alarm	1-12
	Set High Temperature Alarm	1-12
	Access Code	1-13
	Run Mode	1-13
Section 2	Calibrate	2-1
	Calibrate Mode	2-1
	Calibrate Control Probe	2-1
Section 3	Configuration	3-1
	Low Alarm Test	3-1
	High Alarm Test	3-1
	BUS Battery Test	3-2
	System Battery Test	3-2
	Set Access Code	3-3
	Clear High Stage Alarm	3-3
	Display Temperature	3-3
	Back Up System Type	3-4
	RS485 Address	3-4
	Reset Excursion	3-4
	Warm Excursion	3-4
	Cold Excursion	3-4
Section 4	Alarms	4-1
	Lost Communication	4-2
	Micro Board Failure Alarm	4-2
	Multiple Alarms	4-2
	High Stage System Failure Alarm	4-2

Section 5	Maintenance	5-1
	Clean Condenser	5-1
	Clean Air Filter	5-1
	Defrost Chamber	5-2
	Clean Lid Gasket	5-2
	Replace Battery(s)	5-2
	Check Battery(s)	5-4
	Prepare Unit for Storage	5-5
	PREVENTIVE MAINTENANCE	5-6
Section 6	Factory Installed Options	6-1
	Back Up System (BUS)	6-1
	Install Injection Assembly	6-1
	Install Temperature Probe	6-2
	Connect Probe/Solenoid Harness	6-4
	BUS Control Panel	6-4
	Configure Optional Back Up System (BUS)	6-7
	Set Optional BUS Set Point	6-7
	Test the BUS	6-7
	Disconnect Fitting Assembly, Transfer Hose	6-8
	Chart Recorder	6-8
	Install Chart Paper	6-8
	Change Program	6-9
	Calibrate Chart Recorder	6-9
Section 7	Specifications	7-1
Section 8	Exploded Parts Drawings	8-1
Section 9	Refrigeration Schematics	9-1
Section 10	Electrical Schematics	10-1
Section 11	Warranty Information	11-1
Section 12	Regulatory Compliance	12-1
	End of Life Care	12-3
	WEEE Compliance	12-4
Appendix	Handling Liquid Nitrogen	A -1
	Handling Liquid CO ₂	A-4
	First Aid	A-5

Section 1 Installation and Start-up

Figures 1-1 and 1-2 show the front view of the freezer and indicate the following freezer components:

- Control Panel - keypad, displays and indicators.
- BUS (Optional Back Up System) panel.
- Optional temperature recorder (7 day, one pen) or datalogger.
- Keylock - keyed lid lock.

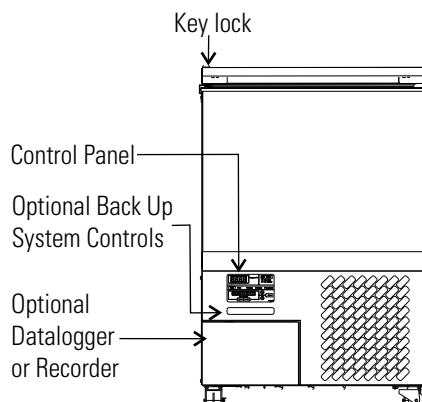


Figure 1-1. Front View 3 cu ft Models

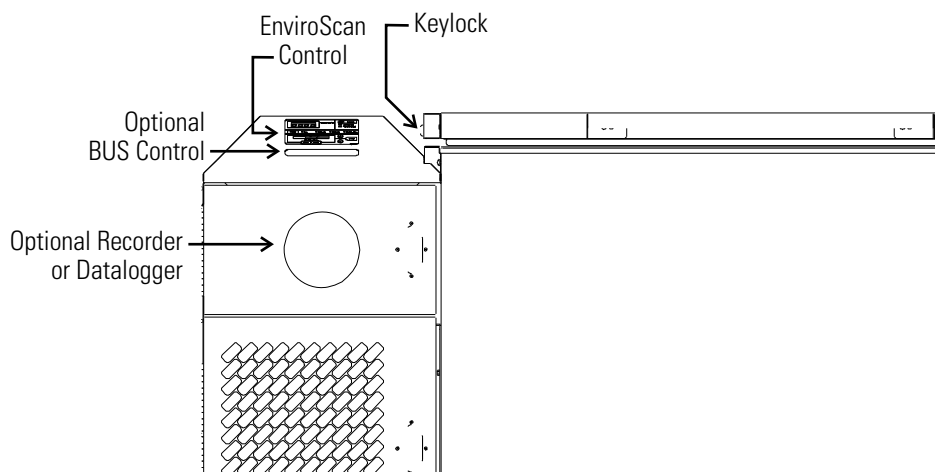


Figure 1-2. Front View Remaining Models

Figures 1-3 and 1-4 display the rear view of the freezer and indicate the following freezer components:

- Remote alarm contacts and selectable analog output connection: 0-1V, 4-20mA (default), 0-5V.
- Power inlet for power cord connection.
- Optional BUS connections for probe and solenoid.
- RS-232 or RS-485 interface.
- Power Switch (mains disconnect).

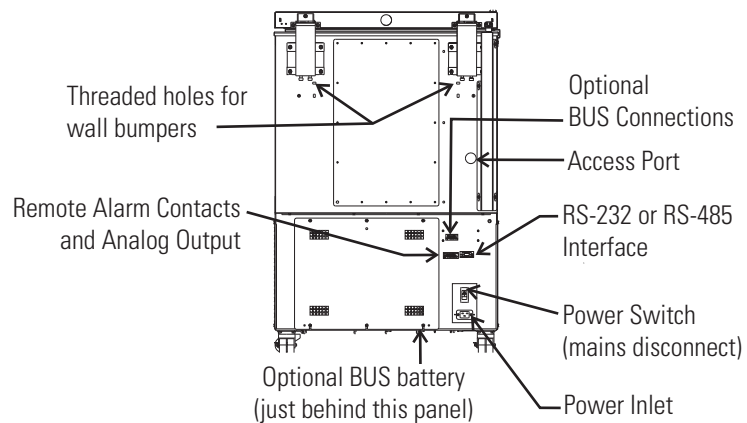


Figure 1-3. Rear View 3 cu ft Models

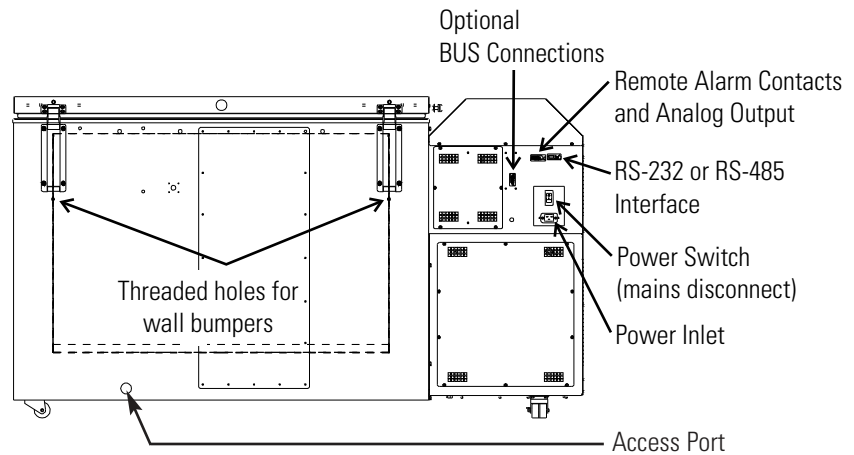


Figure 1-4. Rear View Remaining Models

The probe cover houses the control, optional recorder, datalogger, 1535 alarm, or BUS probes.

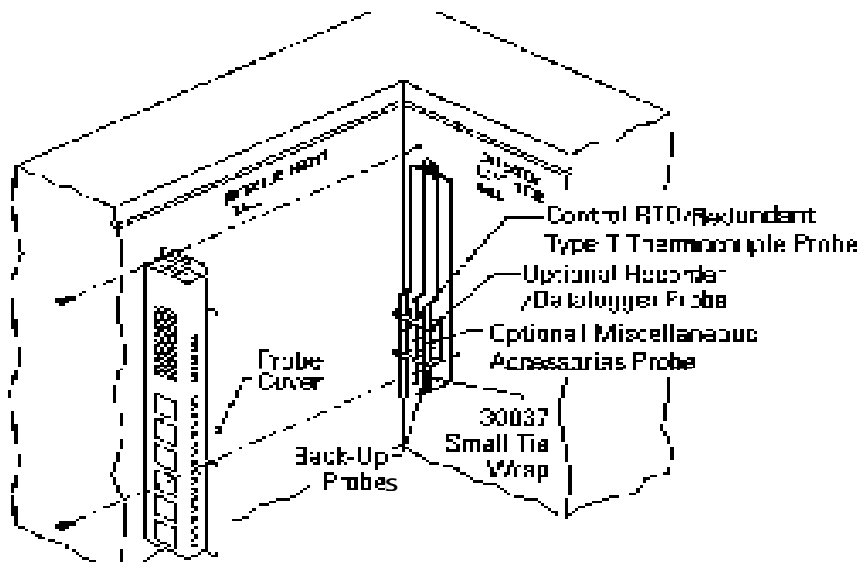


Figure 1-5. Probe Cover

Figures 1-6, 1-7, and 1-8 indicate the following components:

- Freezer filter location
- Battery power switch (freezer and BUS)
- Thermocouple receptacle
- Battery mounting bracket
- Freezer and optional BUS battery

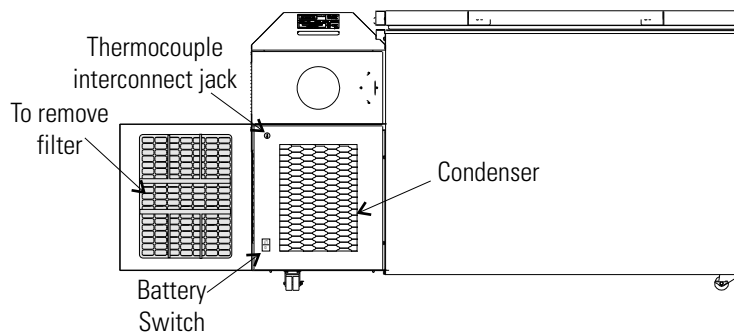


Figure 1-6. All Models Except 3 cu ft

Section 1
Installation and Start-up

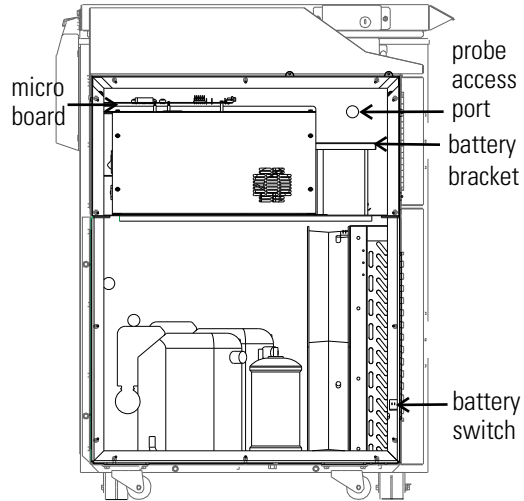


Figure 1-7. Freezer Left Side - Sidecar panel removed

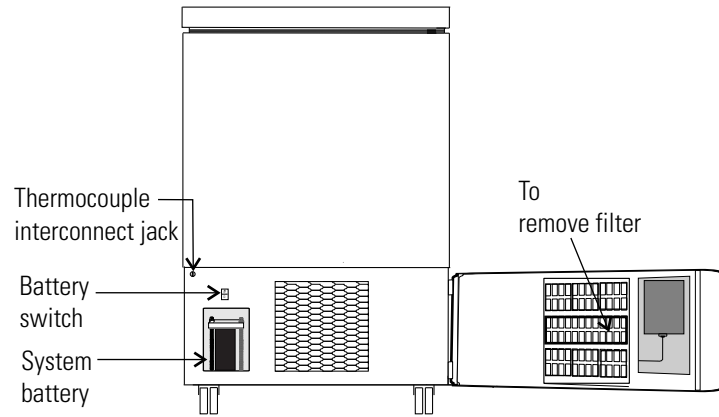


Figure 1-8. 3 cu ft Models

Control Panel Keys, Display, Indicators

Mode Select Switch - Used to select Run, Settings, Calibrate and System Configuration Modes.

Mode Select Indicators -

Run: Run Menu

Settings: Set Points Menu

Calibrate: Calibrate Menu

Configuration: Configuration Menu

Temperature Display - Displays temperature in degrees Celsius.

Alarm Indicator - Light pulses on/off during an alarm condition.

Silence - Mutes the audible alarm.

Low Battery - indicates a low battery condition of the freezer battery.

Hot Condenser - indicates a hot condenser condition.

Message Center - displays system status and alarms.

Scroll for Parameters Arrows - moves through the choices of the selected mode.

Up and Down Arrows - Increases or decreases values, toggles between choices.

Enter - Stores the value into computer memory.

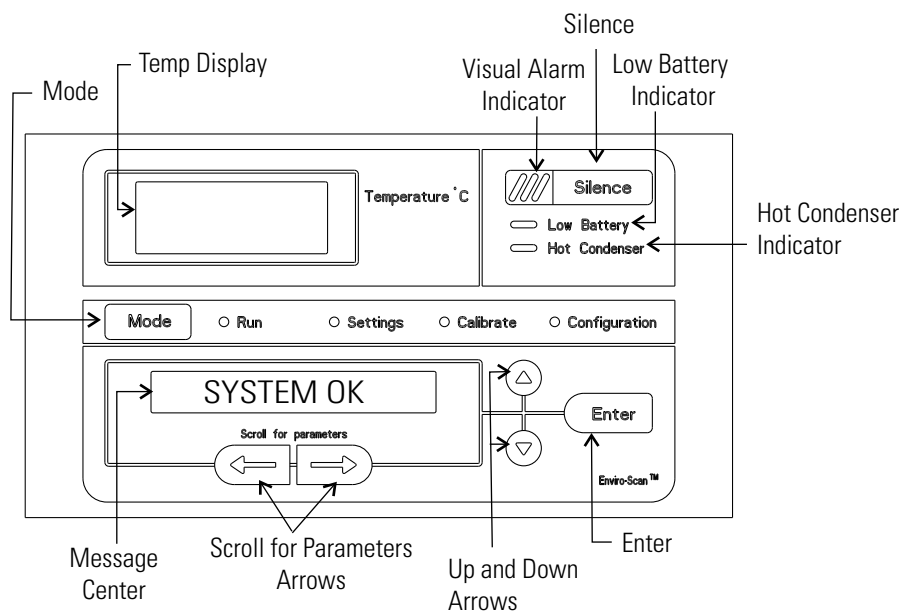


Figure 1-9. Control Panel Keys, Display and Indicators

Panel Keys, Display, Indicators (cont.)

8600 Series freezers have four basic modes which allow freezer setup: Run, Settings, Calibrate and Configuration.

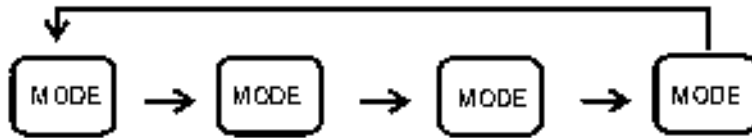
Run is the default mode which the freezer will normally be in during operation.

Settings is used to enter system set points for freezer operation.

Calibrate is used to calibrate various system parameters.

Configuration allows for custom setup of various options.

The chart below shows the selections under each of the modes.



Run	Settings	Calibrate	Configuration
Default Mode System Ok	Control Set Point	Control Probe	High Alarm Test
Line Voltage	High Alarm Set Point	Optional Sample Probe	Low Alarm Test
Compensated Voltage	Low Alarm Set Point		System Battery Test
* HSHX Temperature	Optional Back Up System Set Point		BUS Battery Test
			Display Temperature
			* Clear High Stage Alarm
			Set Access Code
			RS485 Address
			BUS type CO2 or LN2
			Cold Excursion
			Warm Excursion
			Reset Excursion

Table 1-1. Modes of Operation

* -86C units only

Panel Keys, Display, Indicators (cont.)

Scroll for Parameters Arrows: Steps the operator through the parameters of Settings, Calibrate and Configuration Modes. The right arrow goes to the next parameter, the left arrow returns to the previous parameter.

Up Arrow: Increases or toggles the parameter value that has been selected in the Settings, Calibrate, and Configuration Modes.

Enter: Must press Enter key to save to memory all changed values.

Down Arrow: Decreases or toggles the parameter values that have been selected in the Settings, Calibrate, and Configuration Modes.

Silence Key: Press to mute the audible alarm. See Section 4 for alarm ringback times.

Message Center: Displays the system status (Mode) at all times. Displays SYSTEM OK during normal operation, or alarm messages if the system detects an alarm condition. See Section 4 - Alarms.

Displays

There are two displays on the control panel. The temperature display shows the temperature in degrees Celsius. The message center displays the system status (Mode) at all times. The message SYSTEM OK displays during normal operation. Alarm messages are displayed if the system detects an alarm condition. See Section 4 - Alarms.

Install Freezer

To remove the freezer from the pallet, use a 7/16" wrench to remove all the bolts securing the shipping bracket to the pallet.

Note If tipped more than 45°, allow the unit to set upright for 24 hours before start up. ▲

Refer to Instruction Sheet 7770800 to remove the cabinet from its shipping pallet.

The freezer can be easily pushed to the desired approved location, as described previously. When the freezer is in position, set the front caster brakes.



Caution Do not move the freezer with the product load inside. ▲

Choose Location

Locate the freezer on a firm, level surface in an area with an ambient temperature between 18°C and 32°C. Provide ample room to reach the mains disconnect switch (power switch) located on the rear of the freezer.



Caution For proper ventilation and airflow, a minimum clearance of 5” at the rear and front and a clearance of 8” on the side of the freezer is required. Allow adequate space for lid opening. If ambient increases above 36°C, clearance at the rear of the cabinet must be increased to 8”. ▲

Install Wall Bumpers

The parts bag, located inside the cabinet, contains the following parts.

Quantity	Stock #	Description	Purpose
2	510016	1/4-20 x 5-1/2” Bolt	Wall Bumper
2	380520	Neoprene Cap	Cap Protector

Install the bolts into the pre-tapped holes on the back of the compressor section. Install a neoprene cap on each bolt. Refer to Figure 1-2 for the locations of the pre-tapped holes.

RS-232 Communications

8600 Series freezers have a data communications interface. The factory default setting is RS-232.

The wiring identification for the interface is shown in Figure 1-10. One nine pin, sub "D" style connector is located on the back of the freezer. See Figure 1-2 for the location of the connector on the freezer.

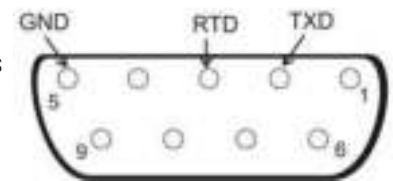


Figure 1-10. RS-232 Interface

The freezer transmits temperature information every 60 minutes. A standard DB9 serial extension cable can be used to connect the freezer to a serial device. Some serial devices may require a null modem adapter.

Data format:

Baud1200
 Data bits8 (7 bit ASCII with leading zero)
 Start bits1
 Stop bits2
 Paritynone

RS-232 Communications (cont.)

The data transfer sequence is transmitted in the following format. X refers to numerical temperature data.

(NUL) (-) XXX (SP) C (SP) (Error Message) (SP) (LF) (CR) (EOT) (SP)

In the event of a CNTRLFAIL, Er07, or the control probe is out of range error, the numerical temperature data (XXX) in the transmission would be replaced by T_ERR.

If no alarm condition exists, spaces will be sent. A total of 20 characters will be sent.

SP - Space

LF - Line feed

CR - Carriage return

EOT - End of text (4)

NUL - Null character (00)

If an alarm condition does exist, “Error Message” in the protocol will be replaced by the following:

UNDERTEMP (temperature above the low alarm setpoint)

OVERTEMP (temperature below the high alarm setpoint)

PWRFAIL (AC power failure)

CNTRLFAIL (Control probe failure)

Er07 (micro failure)

* HSHX FAIL (Heat exchanger failure)

HOT COND (Hot condenser)

Note The RS-232 is not compatible with 1535 Monitor/Alarm System. ▲

* -86C units only

Remote Alarm Contacts and Analog Output

8600 Series freezers have remote alarm contacts and analog output. See Figures 1-3 and 1-4 for the location of the remote alarm contacts. The remote alarm connector is located in the parts bag provided with the manual. It must be installed if connecting the freezer to an alarm system. After installing the wiring from the alarm system to the connector, install the connector to the freezer microboard and secure with the two screws provided. The remote alarm provides a NO (normally open) output, a NC (normally closed) output and COM (common). The contacts will trip on a power outage, high temperature alarm or low temperature alarm. They will also trip on high stage (-86C units only), control probe and microboard failures. Figure 1-11 shows the remote contacts in alarm state.

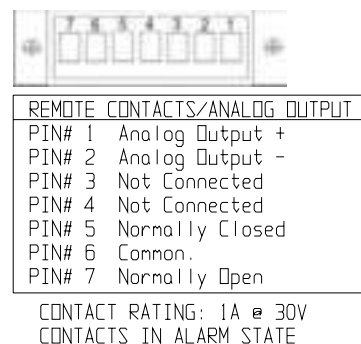


Figure 1-11. Remote Alarm Contacts

Remote Alarm Contacts and Analog Output (cont.)

The analog output function allows the freezer to output signals representing the temperature of the freezer cabinet. The factory default setting is 4-20 mA. Refer to Table 1-2 for output specifications.

IMPORTANT USER INFORMATION

CAUTION! Stored product should be protected by a redundant 24 hour/day monitoring system with alarm capability. An interconnect jack and thermocouple are installed for centralized monitoring, should on-board system fail.

Table 1-2. Analog Output Specifications

	4-20 mA	0-1V	0-5V
Temperature	-100 to +50°C	-100 to +50°C	-100 to +50°C

Attach Power Cord

Insert the power cord into the power inlet module. Place the retaining bracket (P/N 195763) over the connector. Tighten retaining screws to secure.

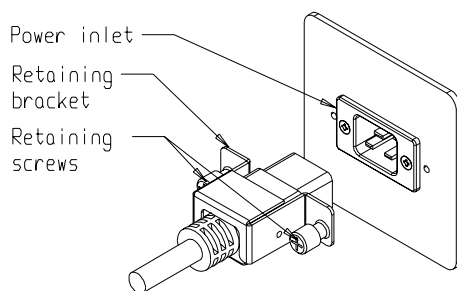


Figure 1-12. Power Cord Attachment

Connect Unit to Electrical Power

Note See the serial tag on the side of the unit for electrical specifications or refer to the electrical schematics in this manual. ▲

The freezer should be operated on a dedicated, grounded service. Check the voltage rating on the serial tag of the unit and compare it with the outlet voltage. Then, with the power switch turned off, plug the line cord into the wall outlet.



Warning: Do not exceed the electrical rating printed on the data plate. ▲

First, turn on the freezer power switch. Then open the lower front door by grasping the bottom left corner. Locate the battery switch (Figure 1-4) and turn it to Standby mode (⏻). During initial freezer start-up, the system battery may require charging and the Low Battery message may appear in the message center.



Caution: Connect the equipment to the correct power source. Incorrect voltage can result in severe damage to the equipment. ▲



Caution: For personal safety and trouble-free operation, this unit must be properly grounded while in use. Failure to ground the equipment may cause personal injury or damage to the equipment. Always conform to the National Electrical Code and Local Codes. Do not connect the unit to overloaded power lines. ▲



Caution: Always connect the unit to a dedicated (separate circuit). Each unit is equipped with a service cord and plug designed to connect it to a power outlet which delivers the correct voltage. Supply voltage must be within $\pm 10\%$ of the unit rated voltage. If cord becomes damaged, replace with a properly rated power supply cord. ▲



Caution: Never cut the grounding prong from the service cord plug. If the prong is removed, the warranty is invalidated. ▲

Note Ensure the battery switch is turned to Standby mode (⏻). The rechargeable batteries require 36 hours to charge at initial start-up. A “Low Battery” alarm may occur until the batteries are fully charged. Should a power failure occur during the initial start-up period, the electronics will have limited operation. ▲



Caution: In an emergency, the power cord is a disconnected device. ▲



Caution: Do not position the unit in a way that impedes access to the disconnecting device or circuit breaker in the back of the unit. ▲

Freezer Start-Up

With the freezer properly installed and connected to power, system set points can be entered. The following set points can be entered in Settings mode: Control temperature, high temperature alarm set point, low temperature alarm set point, and (optional) BUS set point. Default settings are shown in the table below. See Chart 1-1 for more detail.

-86C Units		-40C Units	
Control Set Point	-80°C	Control Set Point	-40°C
High Temperature Alarm	-70°C	High Temperature Alarm	-30°C
Low temperature alarm	-90°C	Low temperature alarm	-50°C
Optional BUS Set Point	-60°C	Optional BUS Set Point	-30°C

Note If the set point is changed and the low temperature and high temperature alarms are set 10° from the set point, the alarm set points will be adjusted automatically to maintain a distance of at least 10° from set point. ▲

Set Operating Temperature

The freezer has an operating temperature range of -50°C to -86°C (-86C units) or -10°C to -40°C (-40C units), depending on ambient temperature. The freezer is shipped from the factory with a temperature set point of -80°C (-86C units) or -40° (-40C units). To change the operating temperature set point:

1. Press the Mode key until the Settings indicator lights.
2. Press the right arrow until “SET PT = -XX” is displayed in the message center.
3. Press the up/down arrow key until the desired temperature set point is displayed.
4. Press Enter to save the set point.
5. Press the Mode key until the Run indicator lights for Run mode or press the right/left arrow keys to go to next/previous parameter.

If no control keys are pressed, the freezer will automatically return to RUN mode after 5 minutes.

Set High Temperature Alarm

The high temperature alarm activates an audible/visual warning when the freezer chamber temp reaches or exceeds the high temp alarm set point.

To set the high temperature alarm set point:

1. Press the Mode key until the Set indicator lights.
2. Press right arrow until “HI ALM = -XX” displays in message center.
3. Press the up or down arrow key until the desired high temperature alarm set point is displayed.
4. Press Enter to save the setting.
5. Press the Mode key until the Run indicator lights or press the right or left arrow to go to the next or previous parameter.

If no control keys are pressed, the freezer will automatically return to RUN mode after 5 minutes.

Note The high alarm set point must be set at least 5°C from the control set point. ▲

Note At initial start-up, the high temperature alarm is disabled until the cabinet reaches set point or 12 hours elapse. ▲

Set Low Temperature Alarm

The low temperature alarm activates an audible/visual warning when the freezer chamber temp reaches or decreases below low temp alarm set point.

To set the low temperature alarm set point:

1. Press the Mode key until the Settings indicator lights.
2. Press right arrow until “LO ALM = -XX” displays in message center.
3. Press the up or down arrow key until the desired low temperature alarm set point is displayed.
4. Press Enter to save the setting.
5. Press the Mode key until the Run indicator lights or press the right or left arrow to go to the next or previous parameter.

If no control keys are pressed, the freezer will automatically return to RUN mode after 5 minutes.

Note The low alarm set point must be set at least 5°C from the control set point. ▲

Access Code

An access code can be set to prevent unauthorized change of settings in Calibrate, Configuration and Settings mode. (An access code of 000 is required to make changes.) If the access code is not at the default 000, you can not leave RUN mode without entering a code. See Section 3, Configuration for instructions on modifying the access code.

Run Mode

Run mode is the default mode for the freezer. The run mode displays the cabinet temperature on the temperature display and ‘SYSTEM OK’ on the message center under normal operating conditions. In addition, the Run mode allows display of the following information:

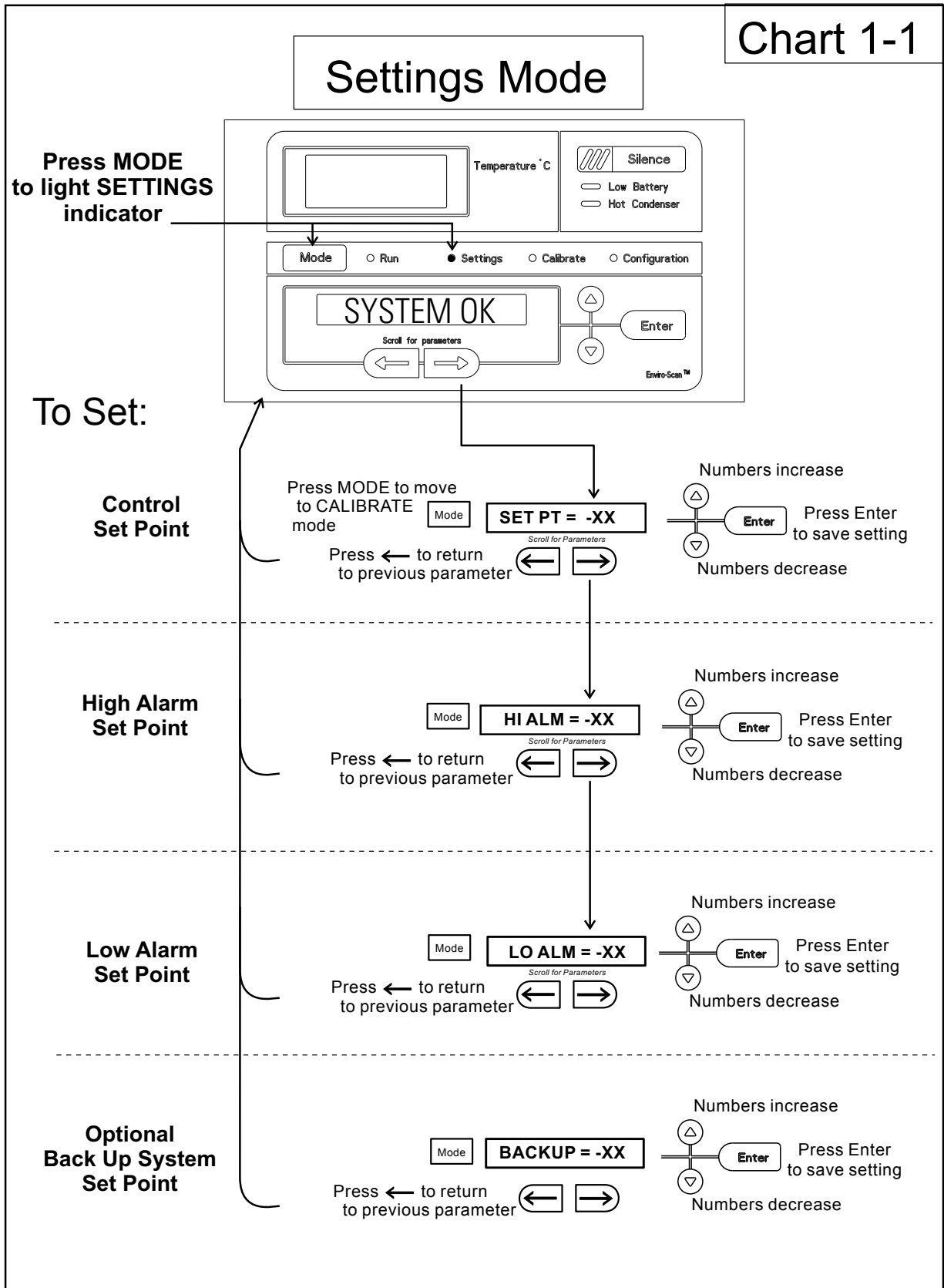
LINE VOLTAGE

COMPENSATED VOLTAGE

* HSHX TEMPERATURE (heat exchanger temperature); -86C units only

This information is scrolled individually by pressing the right arrow key. In each case, the message center returns to SYSTEM OK in 10 seconds if no keys are pressed.

Chart 1-1



Section 2 Calibrate

Calibrate Mode

Once the freezer has stabilized, the control probe may need to be calibrated. Calibration frequency is dependent on use, ambient conditions and accuracy required. A good laboratory practice would require at least an annual calibration check. On new installations, all parameters should be checked after the stabilization period.

Note Before making any calibration or adjustments to the unit, it is imperative that all reference instruments be properly calibrated. ▲

Calibrate Control Probe

Plug a type T thermocouple reader into the receptacle located inside the lower door (see Figures 1-4 and 1-6). Compare the control temperature set point to the temperature of the measuring device. See Chart 2-1 at the end of this section for more detail.

1. Press the Mode key until the Calibrate indicator lights.
2. Press the right arrow until “CONT T = -XX.X” appears in the message center.
3. Press up/down arrow to match the display to calibrated instrument.
4. Press Enter to store calibration.
5. Press the Mode key to return to Run or the right/left arrow to go to next/previous parameter.

Temperature Stabilization Periods

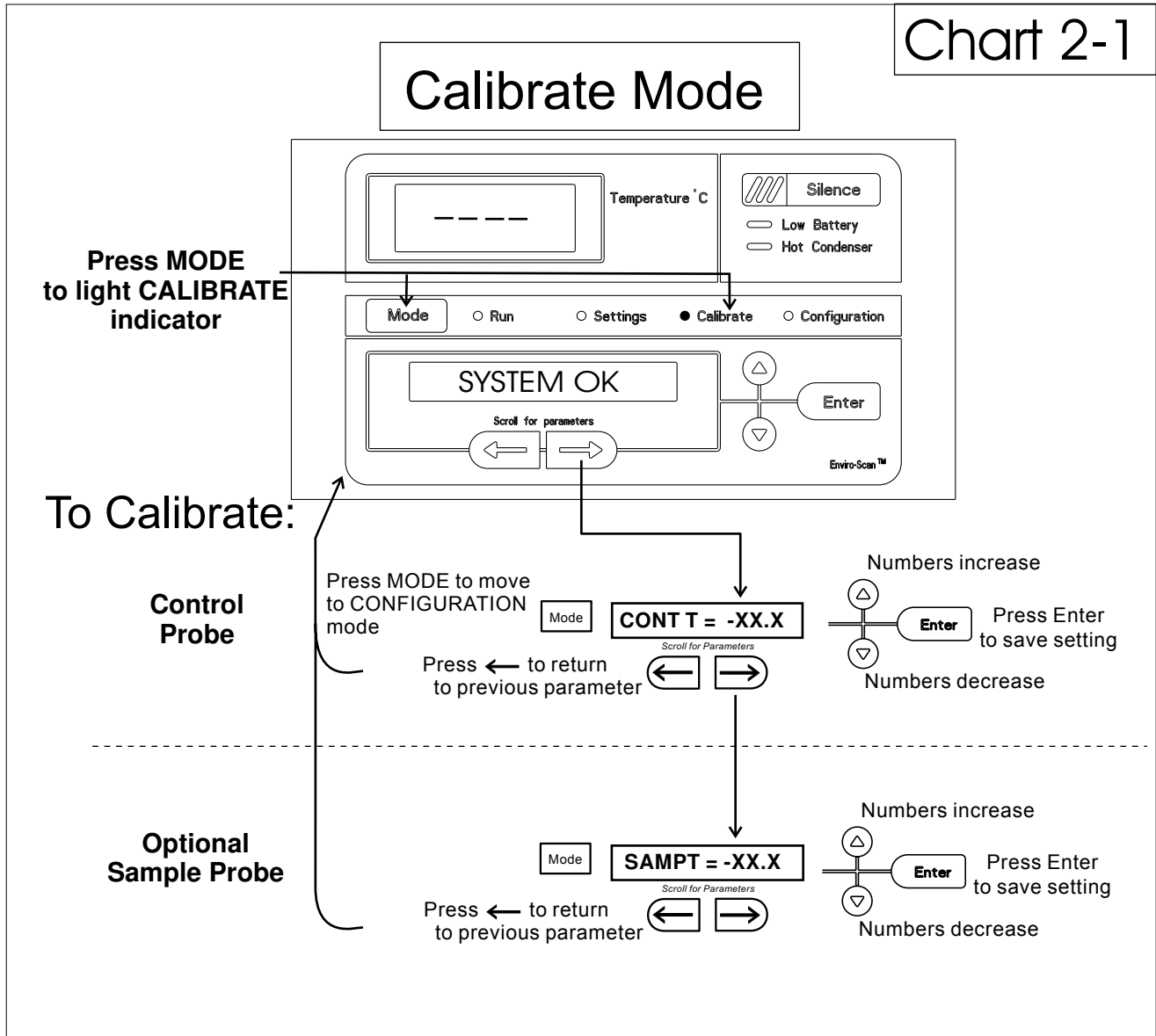
Startup - Allow 12 hours for the temperature in the cabinet to stabilize before proceeding.

Already Operating - Allow at least 2 hours after the display reaches set point for temperature to stabilize before proceeding.

Note During calibration, the temperature display will not be available.

If no keys are pressed for approximately five minutes while in calibration mode, the system will reset to Run mode.

Chart 2-1



Section 3 Configuration

Configuration Mode is used for testing and custom setup of the freezer. The configuration functions listed and described below may not be necessary in all applications, but are available if needed. See Chart 3-1 for more detail.

High Alarm Test

The high alarm test is used to verify that the high alarm will activate, should the freezer temperature equal or exceed the high alarm set point.

1. Press the Mode key until the Configuration indicator lights.
2. Press the right arrow until HI ALRM TEST is displayed in the message center.
3. Press Enter to initiate the test.

The temperature on the display will begin to increase until the high alarm set point has been reached. The audible alarm will sound and the alarm indicator will flash. Press the Silence key to mute the alarm.

Low Alarm Test

The low alarm test is used to verify the that low alarm will activate, should the freezer temperature equal or become less than the low alarm set point.

1. Press the Mode key until the Configuration indicator lights.
2. Press the right arrow until LO ALRM TEST is displayed in the message center.
3. Press Enter to initiate the test.

The temperature on the display will begin to decrease until the low alarm set point has been reached. The audible alarm will sound and the alarm indicator will flash. Press the Silence key to mute the alarm.

System Battery Test

To test the charge of the freezer battery:

1. Press the Mode key until the Configuration indicator lights.
2. Press the right arrow until SYS BAT TEST is displayed in the message center.
3. Press Enter to initiate the test.

TESTING BATT will display during the testing period. Upon completion of the test the message center will display BATT GOOD or BATT FAIL. When a test is failed, the audible alarm will sound, the alarm indicator and the Low Battery indicator will light. Press the Silence key and the alarm indicator will go off. The Low Battery light will stay on until a future battery test is performed and passed.

BUS Battery Test

To test the charge of the BUS battery:

1. Press the Mode key until the Configuration indicator lights.
2. Press the right arrow until BUS BAT TEST is displayed in the message center.
3. Press Enter to initiate the test.

TESTING BATT will display during the testing period. Upon completion of the test the message center will display BBAT GOOD or BBAT FAIL. If this test fails, the audible alarm will sound, the alarm indicator and the Low Battery indicator will light. Press the Silence key. The audible alarm and alarm indicator will go off. The Low Battery light will stay on. If the test fails, it is recommended to replace the BUS battery.

Display Temperature

This function, only available on freezers with the optional sample probe, allows the user to select which temperature is displayed in the temperature display window. The options are CONTROL or SAMPLE.

1. Press the Mode key until the Configuration indicator lights.
2. Press the right arrow until DISP CONTROL or DISP SAMPLE is displayed in the message center.
3. Press up/down arrow to toggle between the two display selections.
4. Press Enter to save.

If control probe is selected, the temperature display will be on continuously. If sample probe is selected, the temperature display will be preceded with a letter 'S'.

Clear High Stage Alarm (-86C units only)

Should a high stage alarm have occurred, it may become necessary to clear the alarm condition after the condition has been corrected.

1. Press the Mode key until the Configuration indicator lights.
2. Press the right arrow until CLR HS ALARM is displayed in the message center.
3. Press Enter to clear the alarm.

Set Access Code

To set the Access Code:

1. Press the Mode key until the Configuration indicator lights.
2. Press the right arrow until "SET ACC CODE" is displayed in the message center.
3. Press Enter.
4. The message center will display ACC CODE = 000. Press the up or down arrow key until the desired access code is displayed (000 - 999). Press the left or right arrow key to select digit 1, 2, 3.

Note The left and right arrow keys are used to move from the first through the third digits within the access code. ▲

5. Press Enter to save the setting
6. Press the Mode key until the Run indicator lights. A 3-digit Access Code can be entered to avoid unauthorized personnel from changing the set points, calibration, or configuration. A setting of 000 will bypass the access code. The factory setting is 000.

RS485 Address

If the freezer is configured for RS-485 communications, it will need to have a unique identification address. This address is set through the Configuration mode.

1. Press the Mode key until the Configuration indicator lights.
2. Press the right arrow until RS485ADDR is displayed in the message center.
3. Press Enter. The message center will display **485 ADDR XX**.
4. Press up/down arrow to select the appropriate address for the freezer (1 - 24).
5. Press Enter to save.

Back Up System Type

This function, which is only available on freezers with the optional back up system (BUS), allows the user to select which type of gas is injected into the freezer chamber. The options are CO₂ and LN₂.

1. Press the Mode key until the Configuration indicator lights.
2. Press the right arrow until BUS TYPE CO₂ or BUS TYPE LN₂ is displayed in the message center.
3. Press up/down arrow to toggle between the two display selections.
4. Press Enter to save.

Cold Excursion

This function displays the coldest temperature recorded by the control probe.

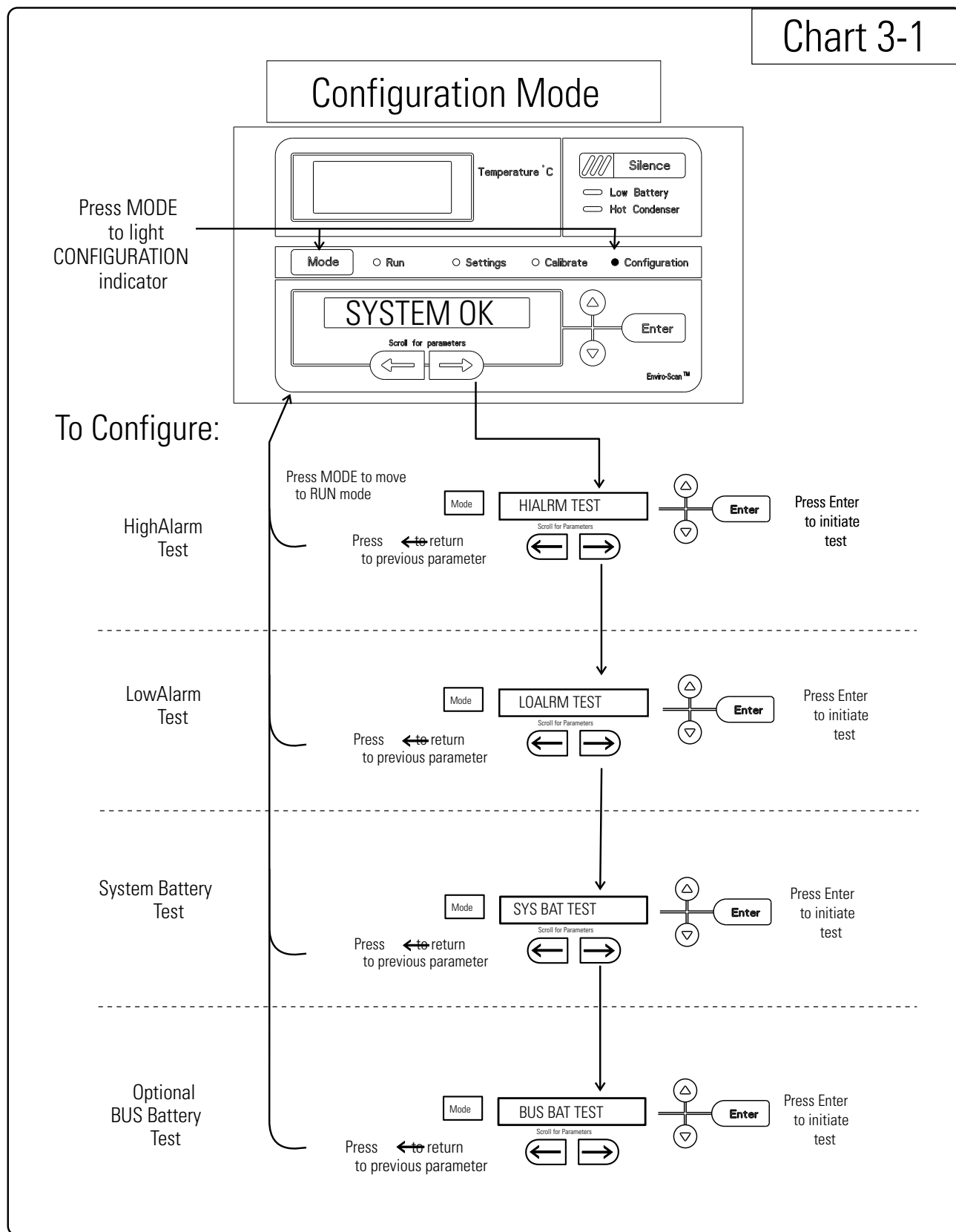
Warm Excursion

This function displays the warmest temperature recorded by the control probe.

Reset Excursion

This function resets the cold and warm excursions.

Chart 3-1

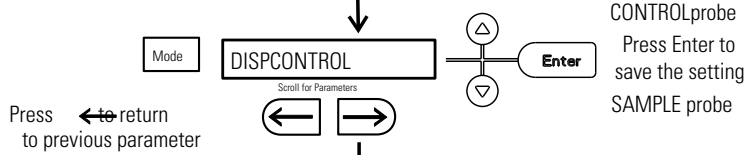


Configuration Mode, Chart 3-1, Page 2 of 3

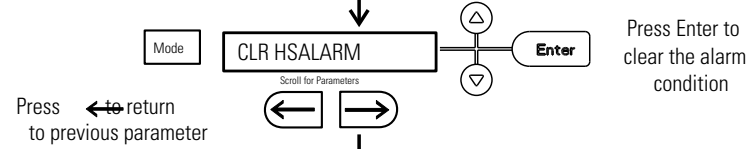
refer to previous page

To Configure:

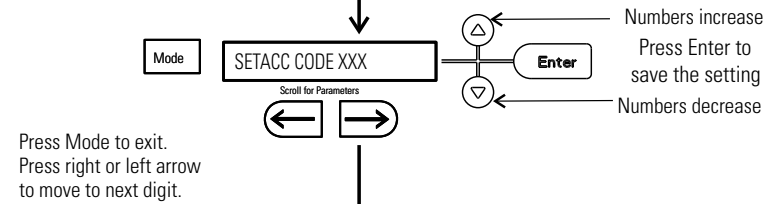
Display Temperature



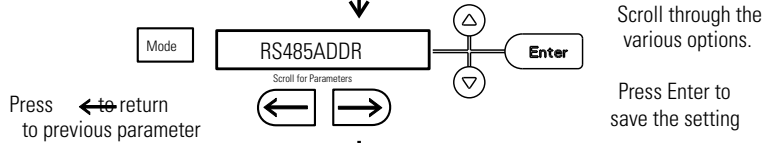
Clear High Stage Alarm



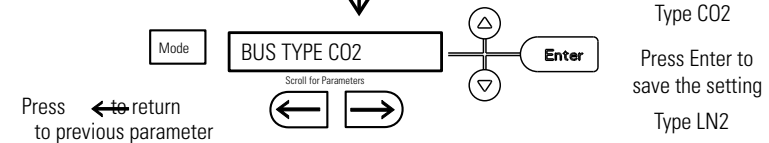
Access Code



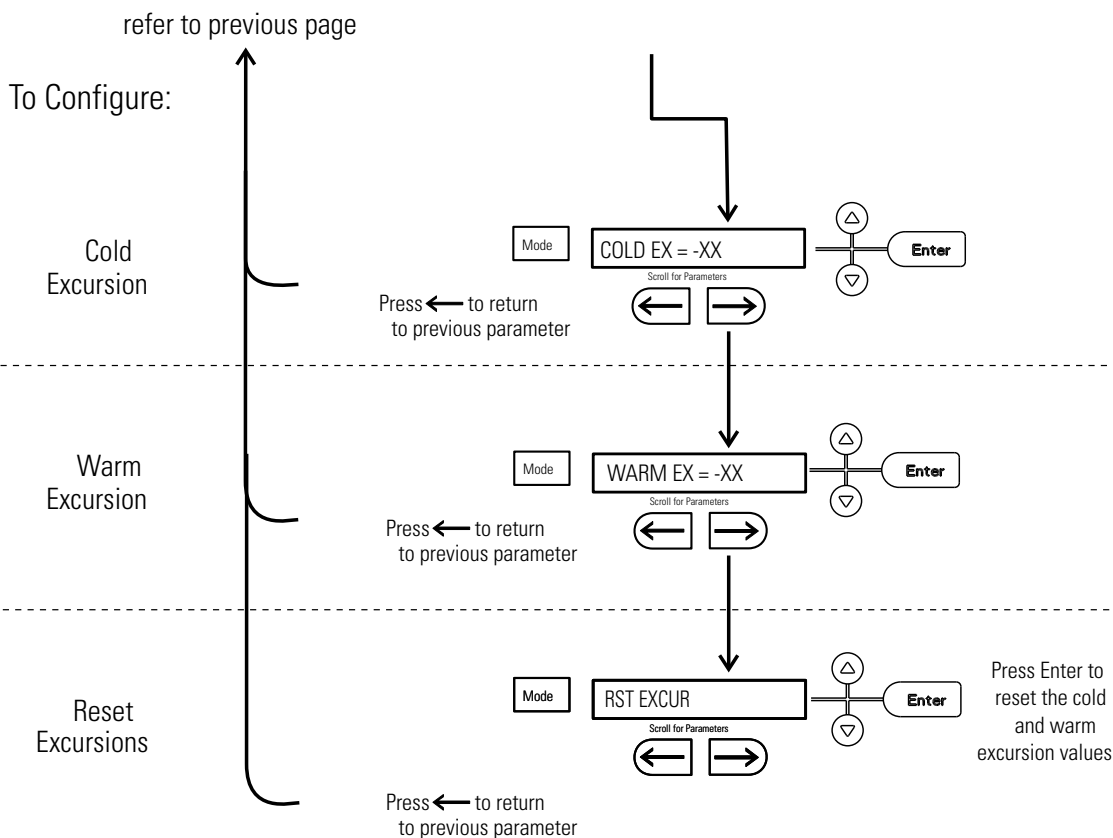
RS-485 Address



Optional Back Up System Type



Configuration Mode, Chart 3-1, Page 3 of 3



Section 3
Configuration

Section 4 Alarms

The 8600 Series freezer alarm system is shown below. When an alarm is active, a message appears in the LED message center. Press the Silence key to mute the audible alarm for the ringback period. The visual alarm continues until the freezer returns to a normal condition. The alarms are momentary alarms only. If an alarm condition occurs and then returns to normal, the freezer automatically clears the alarm condition and the message center.

Table 4-1. Alarms

Description	Message	Delay	Ringback	Relay
No alarm condition exists	SYSTEM OK	----	----	----
Power Failure	POWER FAIL	1 min.	15 min.	Yes
High Temperature Alarm	TEMP IS HIGH	1 min.	15 min.	Yes
Low Temperature Alarm	TEMP IS LOW	1 min.	15 min.	Yes
Door Ajar	DOOR IS OPEN	1 min.	15 min.	No
Low Battery*	LOW BATTERY	1 min.	8 hours	No
Low BUS Battery (optional)	LOW BUS BATT	1 min.	15 min.	No
Control Probe Failure	CNT PRB FLT	1 min.	15 min.	Yes
Heat Exchanger Probe Failure **	HSHX PRB FLT	1 min.	15 min.	No
Condenser Probe	COND PRB FLT	1 min.	15 min.	No
Sample Probe Failure (optional)	SMPL PRB FLT	1 min.	15 min.	No
High Stage System Failure **	HS SYST FAIL	1 min.	15 min.	YES
Condenser Hot Condition	HOT CONDENSER	1 min.	none	No
Wrong Power	WRONG POWER	0 min.	none	YES
Micro Board Failure	MICRO FAIL	0 min.	15 min.	YES

All alarm delays and ringback times are +30 seconds.

**The automatic battery test runs immediately on power-up, then every 8 hours thereafter.*

*** -86C units only*

High Stage System Failure Alarm (-86C units only)

This condition is created when the high stage compressor and fans run for 30 minutes and are not capable of cooling the interstage heat exchanger to the proper temperature. Under this condition, the high stage compressor and fans will turn off after 30 minutes and an audible and visual alarm will occur along with the "HS SYST FAIL" message in the LED message center.

Multiple Alarms

When multiple alarm conditions occur, active messages are displayed in the message center one at a time, updating at 5 second intervals. Pressing Silence during multiple alarms causes all active alarms to be silenced and to ring back in 15 minutes.

Micro Board Failure Alarm

An internal communication failure has occurred with the micro board. During this alarm, the compressor(s) attempt to run continuously. However, with this type of failure, freezer operation becomes undependable.

Lost Communication

Communication between the micro board and the display board has been lost. Under this condition, the visual alarm flashes along with dashes in the temperature display (----). Contact Technical Services.

Error	High End Message	Notes
Er00	"INV. MODEL"	<p>Name: Improper model selected.</p> <p>Description: Indicates that DIP SW3 has not selected a proper model or can't be accessed properly.</p> <p>Response: Display shows "Er00" and will not start-up until a proper model is selected. Contact Technical Services.</p>
ErA1	" NO FREQUENCY"	This error condition will prevent peripherals (fans, compressors, etc.) from powering up with the incorrect voltage.
ErC1	"FREQ <50Hz"	<p>Name: Voltage/Frequency failure</p> <p>Description: Indicates the measured RMS line voltage did not agree with the logic level sensed by the micros provided by the installed high voltage PCB; or the measured RMS voltage is not within a tolerable range (<180VAC < 270 for 230VAC unit / <85 VAC < 160 for 115VAC unit); or the frequency measured over 10 cycles was not within a tolerable range (55 Hz < Freq < 70 Hz for 60 Hz units / 40 Hz < Freq < 55 Hz for 50 Hz units)</p>
Erd1	"FREQ >60Hz"	
ErE1	"VAC < 180V"	<p>Response: This condition is checked at power on reset and if it is active the unit will NOT power up. The unit will indefinitely display "Er_1" in the display and continue to monitor the frequency and voltage. Furthermore, the audible alarm will sound. Other startup error messages may be displayed prior to this message; however, the system will stop the startup sequence for this condition.</p>
ErF1	"VAC > 260V"	<p>ErA1 .. No pulses (zero crossings) detected to determine frequency (50 / 60 Hz)</p> <p>ErC1 .. Frequency detected is below 50 Hz</p> <p>Erd1 .. Frequency detected is above 60 Hz (Possible noise spikes on supply voltage)</p>
Erg1	"VAC < 85V"	<p>ErE1 .. Unit is 230V and the voltage detected is below the low limit (180VRMS)</p> <p>ErF1 .. Unit is 230V and the voltage detected is above the high limit (260VRMS)</p> <p>Erg1 .. Unit is 115V and the voltage detected is below the low limit (85VRMS)</p>
ErH1	"VAC > 160V"	<p>ErH1 .. Unit is 115V and the voltage detected is above the high limit (160VRMS)</p>

Section 4

Alarms

Error (cont.)	High End Message	Notes
Er02	"CNT PRB FLT"	<p>Name: Control (Cabinet) Sensor Failure</p> <p>Description: This condition indicates that the control sensor has failed to produce a valid reading for ≥ 12 consecutive reads (~60 seconds).</p> <p>Response: The unit will stage both compressors on (if necessary) and the unit will attempt to head to bottom out. If the sensor recovers, the system will begin to operate normally and respond to the temperature feedback. The remote alarm contacts will become active regardless of the key position for this mode of failure. 'Er02' will be added to the main display queue and the last valid cabinet temperature value will not be displayed</p>
Er03	"HSHX PRB FLT" -86C units only	<p>Name: Heat Exchange Sensor Failure</p> <p>Description: This condition indicates that the heat exchange sensor has failed to produce a valid reading for ≥ 12 consecutive reads (~60 seconds).</p> <p>Response: The display will show "Er03" only when the button sequence to read the heat exchange sensor is depressed.</p>
Er05	N/A	<p>Name: Display Firmware Integrity Failure</p> <p>Description: The display firmware has failed to pass its CRC CCITT checksum integrity test.</p> <p>Response: The display performs this check at startup and the display board will fail to startup with out any error indication if it does not pass this at power on.</p>
Er06	N/A	<p>Name: Micro Firmware Integrity Failure</p> <p>Description: The micro firmware has failed to pass its CRC CCITT checksum integrity test.</p> <p>Response: This is checked at power on reset and the "Er06" will be displayed for ~10 seconds at startup if this condition exists.</p>
Er07	"MICRO FAIL"	<p>Name: Micro Fail - CS5521 SPI Failure / UISR Failure</p> <p>Description: This condition indicates a micro board failure due to either the SPI bus is unable to communicate with the ADC device or a UISR event caused the microcontroller to be in an unstable state.</p> <p>Response: The unit will try to recover from this fault three times by a hardware reset of the micro board. In the event that the system couldn't rectify the issue, the following sequence of events will occur:</p> <ol style="list-style-type: none"> 1. Remote alarm contacts will become active. 2. Buzzer will annunciate audibly and will have a ringback of 15 minutes. 3. "Seven segment" display will show "Er07". 4. The -86C system will have 10 minute staging between the high stage compressor and the low stage compressor activation (-40C units will activate the compressor). 5. The system will go to bottom out temperatures.

Error (cont.)	High End Message	Notes
Er09	N/A	<p>Name: Stuck Button</p> <p>Description: This condition indicates that the display board has a stuck button.</p> <p>Response: The Er09 will show on the display periodically.</p>
Er11	"COND PRB FLT"	<p>Name: Condenser Probe Sensor Failure</p> <p>Description: This condition indicates that the condenser probe sensor has failed to produce a valid reading for ≥ 12 consecutive reads (~60 seconds).</p> <p>Response: The display shows "Er11".</p>
N/A	"SMPL PRB FLT"	<p>Name: Sample Probe Sensor Failure</p> <p>Description: This condition indicates that the sample probe sensor has failed to produce a valid reading for ≥ 12 consecutive reads (~60 seconds).</p> <p>Response: The message center shows "SMPL PRB FLT".</p>
dErr	N/A	<p>This is a general display error in which the value being displayed can not be represented within the characters provided.</p>
(four dashes) ---- in display	N/A	<p>Name: Lost Communication</p> <p>Description: Communication between the micro board and the display board has been lost. Under this condition, the visual alarm flashes along with dashes in the temperature display (----). Contact Technical Services.</p>

Section 4
Alarms

Section 5 Maintenance



Warning Disconnect equipment from main power before attempting any maintenance to equipment or its controls unless stated otherwise. ▲

Wipe down the freezer exterior using soap and water and a general use laboratory disinfectant. Rinse thoroughly with clean water and dry with a soft cloth.



Caution Avoid the excessive use of water around the control area due to the risk of electrical shock. Damage to the controls may also result. ▲

Clean Air Filter

The air filter should be cleaned a minimum of four times per year.

1. Open the lower panel door by grasping the handle.
2. Locate the grille on the door. See Figures 1-6 and 1-8. Grasp the middle of the grille material and gently pull out to remove.
3. Wash the filter material using water and a mild detergent.
4. Dry by pressing between two towels.
5. Install the filter back into the grille and close the door.

Depending upon environmental conditions, the filter may need to be cleaned or replaced more frequently. If the filter becomes torn or excessively dirty, a replacement can be purchased from Thermo. Order part number 398216 for 3 cu. ft. units, or 398217 for 13, 17, and 20 cu. ft. units.

Clean Condenser

The condenser should be cleaned a minimum of once per year.

1. Open the lower panel door by grasping the handle. See Figures 1-6 and 1-8.
2. Using a vacuum cleaner, exercising care to not damage the condenser fins, clean the condenser.

Clean Condenser (cont.)

Caution Condensers should be cleaned at least every six months; more often if the laboratory area is dusty. In heavy traffic areas, condensers load with dirt more quickly. Failure to keep the condenser clean can result in equipment warm-up or erratic temperatures. ▲



Caution Never clean around the condensers with your fingers. Some surfaces are sharp. ▲

Defrost Chamber



1. Remove all product and place it in another freezer.
2. Turn the unit off and disconnect it from the power source.
3. Turn off the battery switch (O). See Figures 5-1 and 5-2.
4. Open the lid and remove sub-lids. Place towels on the chamber floor.
5. Allow the frost to melt and become loose. Remove with a soft cloth.
7. After defrosting is complete, clean the interior with a non-chloride detergent. Rinse thoroughly with clean water and dry with a soft cloth.
8. Plug unit in and turn power switch on.
9. Turn the battery power switch to Standby mode (C).
10. Allow the freezer to operate empty overnight before reloading the product.



Caution When defrosting your freezer, never use sharp or heavy tools such as chisels or scrapers. Damage to the equipment can result. Let the ice melt enough so that it can be easily removed. ▲

Clean Lid Gasket

The lid gasket should be cleaned a minimum of once per month. Using a soft cloth, remove any frost build-up from the gasket, sub-lids and lids. The clean gasket alarm occurs every three months as a reminder to remove frost build-up from the gasket and doors. Press the Silence key to mute the audible alarm. The lid gasket may need to be cleaned more frequently if dirt or excessive frost build-up prevents the door from closing properly.

Replace Battery(s)

The following instructions describe the battery replacement procedure for specific models.

All Models Except 3 cu ft

1. Open the lower panel door by grasping the handle and pulling.
2. Locate the battery power switch (Figure 5-1). Turn the battery power switch to the Off position (O).
3. Remove the four screws holding the recorder bezel to gain access to the battery.
4. Remove the three nuts securing the battery bracket. See Figure 5-1.
5. Remove the bracket and old battery. Discard properly. Install the new battery and secure.
6. Reconnect the battery (red to positive and black to negative).
7. Replace the recorder bezel.
8. Turn the battery power switch to Standby mode (⏻).
9. Close lower panel door.

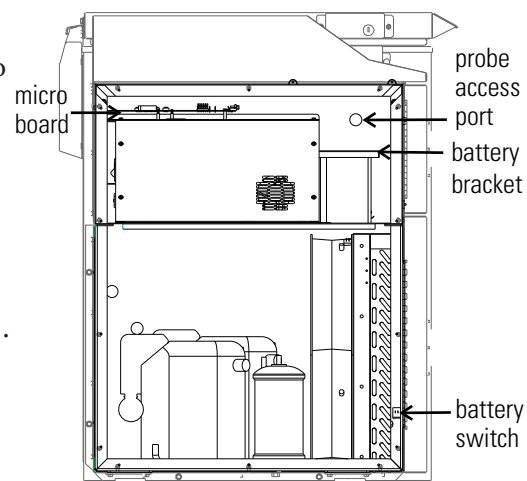


Figure 5-1. Battery and Switch location

3 cu ft Models

1. Open the lower panel door by locating the handle on the underside of the lower panel door and pulling.
2. Locate the battery power switch (Figure 5-2). Turn the battery power switch to the Off position (O).
3. Remove the two nuts securing the battery bracket. See Figure 5-2.
5. Remove the bracket and old battery. Discard properly. Install the new battery and secure.

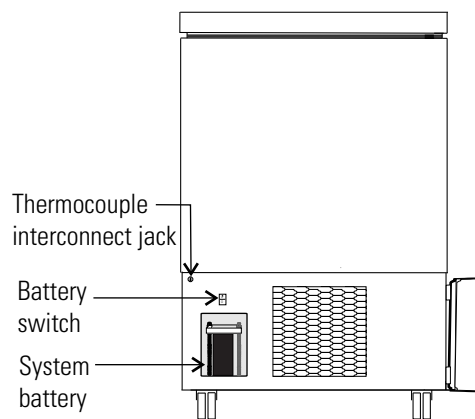


Figure 5-2. Battery and Switch location

3 cu ft Models (cont.)

6. Reconnect the battery (red to positive and black to negative).
7. Replace the recorder bezel.
8. Turn the battery power switch to Standby mode (⏻).
9. Close lower panel door.

Note For a consistent and dependable charge, replace the battery every 2 years. Replacement batteries must be rechargeable 12V Lead Acid and are available from Thermo. Refer to the parts list for stock number and description of the replacement batteries (P/N 400159). Dispose of the used batteries in a safe manner and in accordance with good environmental practices. ▲

Check Battery(s)

All Models except 3 cu ft (Figure 5-1):

1. Locate the power switch on the back of the unit. Turn the switch off. (O).
2. Open the lower door on the front left corner of the sidecar. Turn off the battery switch (O).
3. Remove all the screws from the side panel, except the lower ones. Just loosen these and lift the panel off.
4. The battery is rectangular in shape, located above the compressor compartment, to the right and behind the relay box. Remove the three wingnuts that secure the cover on the battery. Remove the cover.
5. Remove the battery from the mounting bracket.
6. Disconnect the red and black wires from the battery.
7. Use a voltmeter set to DC volts. Matching the wire colors, connect the meter to the battery.
8. If the voltage reads less than 10.8 volts, replace the battery. If above 10.8, re-install as previously.
9. Re-install side panel. Turn the battery power switch to Standby mode (⏻), then close lower door. Turn power switch On.

3 cu ft Models (Figure 5-2):

1. To gain access to the battery, open the lower door by grasping the bottom left corner. The battery is rectangular in shape, located on the left side of the filter compartment.

Check Battery(s) (continued)

2. Directly above the battery(s) is the battery power switch. Turn the battery power switch to the off position (O).
3. Remove the three wingnuts that secure the cover on the battery. Remove the cover.
4. Remove the battery from the mounting bracket.
5. Disconnect the red and black wires from the battery.
6. Use a voltmeter set to DC volts. Matching the wire colors, connect the meter to the battery.
7. If the voltage reads less than 10.8 volts, replace the battery. If above 10.8, re-install as previously.
8. Turn the battery power switch to Standby mode (Ⓞ).
9. Close lower door.

Prepare Unit for Storage



Defrost the unit as previously described. This prepares the unit for storage. Turn Off the battery power switch (O). Turn Off the freezer power switch.

Caution If the unit has been in service, turn it off and disconnect the power cord connector before proceeding with any maintenance. ▲

PREVENTIVE MAINTENANCE
Freezers

Your equipment has been thoroughly tested and calibrated before shipment. Regular preventive maintenance is important to keep your unit functioning properly. The operator should perform routine cleaning and maintenance on a regular basis. For maximum performance and efficiency, it is recommended that the unit be checked and calibrated periodically by a qualified service technician.

The following is a condensed list of preventive maintenance requirements. See the specified section of the instruction manual for further details.

We have qualified service technicians, using NIST traceable instruments, available in many areas. For more information on Preventive Maintenance or Extended Warranties, please contact the Technical Services Department.

Cleaning and calibration adjustment intervals are dependent upon use, environmental conditions and accuracy required.

Tips:

- Fill an upright by starting at the bottom near the probe and add racks to one shelf at a time. Allow freezer to recover to set point between shelves.
- Fill a chest by starting at the left side near the probe. Filling with room temperature racks will result in a long pull-down time.
- Fill unit with frozen product to help overall performance; frozen water jugs, for example.
- Always make certain the vacuum relief port is free of frost and ice, to allow for timely re-entry into the freezer after a door opening.

Action	Monthly	Yearly	Every 2 Years
Verify ambient temperature, <90°F	✓		
Check and clean probe cover, gaskets, hinges and lid(s) of ice and snow. See Figure 1-5 for probe location. See "Clean Lid Gasket".	✓ <i>More frequent cleaning may be required, depending on use and environmental conditions.</i>		
Check air filter. Clean or replace as needed. See "Clean Air Filter".		✓ 4X	
Check alarm back-up battery. See "Connect Unit to Electrical Power" in Section 1 and "Replace Battery" in Section 5.	✓		**Replace
Check condenser fan motor for unusual motor noise or vibration.		✓	
* Verify and document calibration, at the minimum, annually. See Section 2 Calibration.			
* Clean condenser compartment and vacuum off condenser. See "Clean Condenser" in Section 5.		✓	
Preventive Maintenance *Back-up System - inject test & battery. See Section 6.	✓		

✓* *Qualified service technicians only*

** *Dispose of properly, according to all state and federal regulations.*

Section 6 Factory Installed Options

Back Up System (BUS) - P/N 1960445, 1960447

Note Before installation of BUS components, make sure the power to the freezer is disconnected, the battery switch is turned off (O) and the freezer has warmed to ambient temperature. ▲

The built-in BUS (back up system) will keep the freezer chamber temperature below the critical level in the event of a power or equipment failure. If power to the freezer fails, or temperature increases to the back up alarm set point, the BUS injects liquefied gas into the chamber to keep the chamber temperature within the specified range.

Install Injection Assembly

The BUS operates on an internal 12-volt, rechargeable battery which is kept charged during normal operation by the integral battery charger.

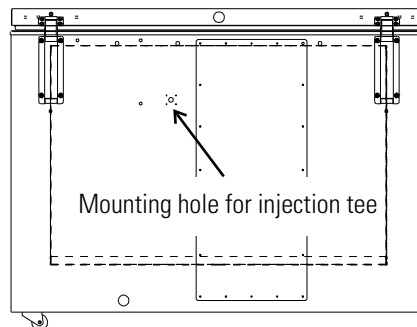


Figure 6-1. Mounting location

1. Locate the mounting hole for installing the injection tee assembly. See Figure 6-1.

Note Cover open end of injection assembly with tape to keep insulation from entering the nipple. ▲

2. Slide 3/8" flatwasher over open end of nipple.
3. Insert the covered end of the injection assembly through exterior hole.

Install Injection Assembly (cont.)

- Remove the tape covering the end of the nipple and install the 1/8" NPT brass tee on the open end of the nipple. Place Permagum sealant between the brass tee and the interior top.
- Go to the interior and seal around injection assembly with Permagum.

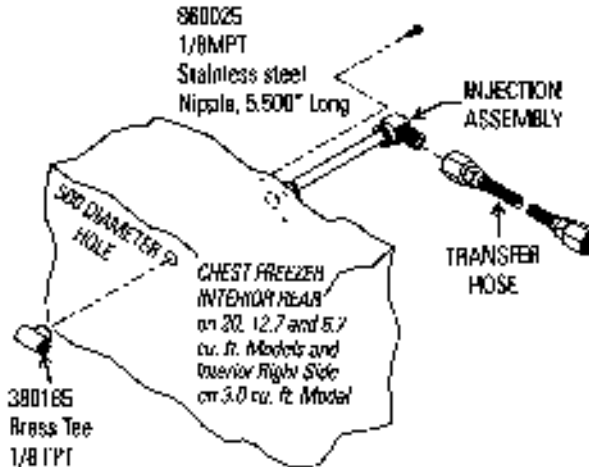


Figure 6-2. Injection Assembly

- Install the transfer hose connecting one end to the injection assembly, the other end to the solenoid valve. Install the solenoid valve to the supply source. The solenoid mounting bracket is not required and may be discarded.

Note When selecting a CO₂ supply cylinder, it must be equipped with a siphon tube. ▲

Install Temperature Probe

- Plug the solenoid/probe connector into the BUS connection. Loop the probe wire back into the base/side car. Secure the connector with a screw on the ends of the connector. The connector is keyed.
- Route the temperature probe through the probe port. The probe port is located in the upper right corner (viewed from the side) of 12.7 and 20 cu. ft. models, and in the lower right corner (viewed from the back) of 3.0 cu. ft. models.

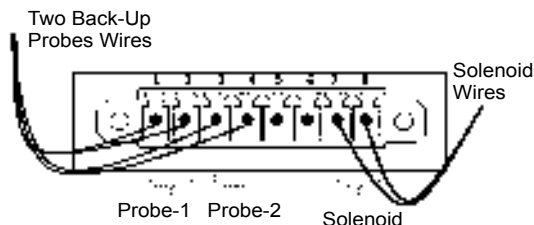


Figure 6-3. Probe and Solenoid Connections

Install Temperature Probe (cont.)

- Carefully remove the existing Permagum sealant from around the probe port opening.
- Open the freezer lid and locate the probe cover on the upper front left wall. Remove the two Phillips head screws securing the probe cover (see Figure 6-5).

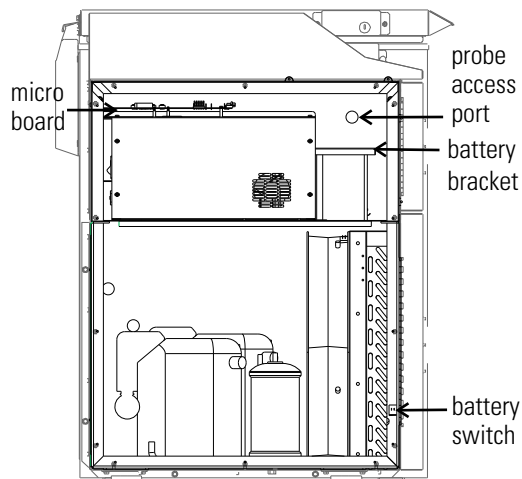


Figure 6-4. Probe Access Port

- Route the BUS probe through the probe port, approximately 12". Secure the back-up probes to the temperature probe using a small tie wrap (Figure 6-5).

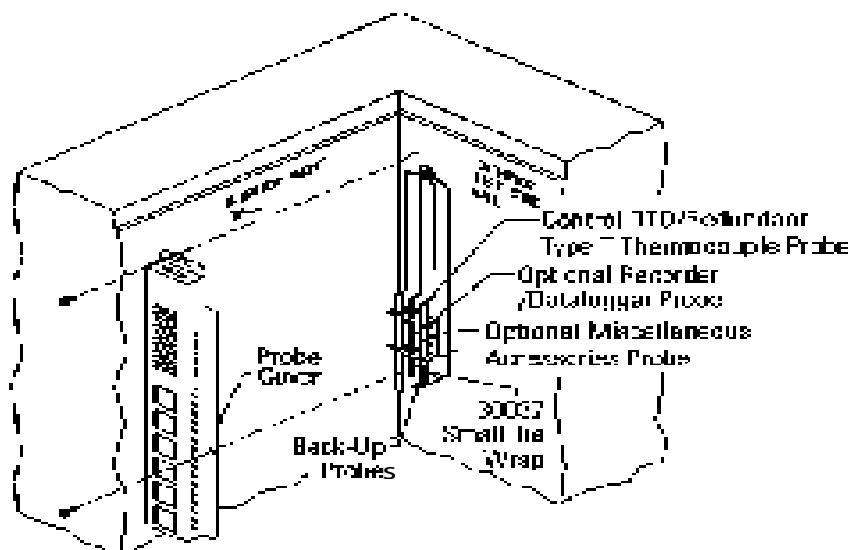


Figure 6-5. Probe location

- Seal around the interior and exterior opening of the probe port with Permagum sealant.
- Reinstall the probe cover (Figure 6-5).

Connect Probe/Solenoid Harness

1. Carefully coil the extra probe lead in the compressor compartment, and secure it to the compartment wall with a tie wrap and tie wrap anchor provided. Additional tie wraps and anchors may be used to secure the probe lead to the exterior back wall of the freezer.
2. Loosen the terminal screws on the solenoid. Slide the spade lug connectors under the screws and tighten to secure.
3. Connect power to the freezer. Turn the freezer On, with battery switch Off (O).

a. Arming on Power On

The arming function occurs only one time at initial power-on. It may occur in 3 ways; BUS timeout arming, both sensors fail and BUS temperature sensor arming.

At power-on, the BUS shall perform a Hold-off period check. The BUS will not inject the refrigerant for a Hold-off period, calculated as follows:

Hold-off period:

- 12 hour is between 0 and +70°C
- 12 hour is between 0 and (BUS Setpoint - Hysteresis)
- 0 hours is below (BUS Setpoint - Hysteresis)
- 0 hours is temperature Out Of Range or both probes fail.

b. The Low Battery indicator may also illuminate.

4. Turn the battery switch to Standby mode (Ⓞ) to charge both batteries.

BUS Control Panel

The following section describes the configuration and operation of the BUS.



Warning When activated, this unit injects liquid nitrogen or carbon dioxide. Liquid nitrogen can cause serious freezing (frostbite) if it comes in contact with unprotected skin or eyes. Nitrogen suppresses oxygen levels and may cause suffocation if area is not well ventilated. Refer to Appendix A for the proper handling of liquid LN₂. ▲

BUS Control Panel (cont.)



Caution Make sure the pressure relief valve on any LN₂ tank is adjusted to 30 PSI maximum blow-off. ▲



Warning Carbon dioxide gas suppresses oxygen levels and may cause suffocation if area is not well ventilated. Refer to “Handling Liquid CO₂ in Appendix B of this manual. ▲

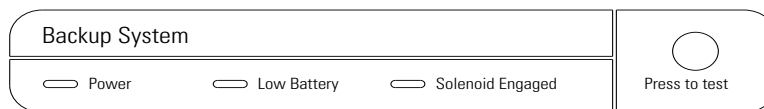


Figure 6-6. BUS Control Panel

Power - indicates the unit has AC power.

Normal Operation

- **Low Battery:** Illuminates only after a battery test which occurs every 8 hours. The battery test is a loaded test and during the test, the battery voltage is monitored. When the battery voltage is less than a certain threshold, this light will illuminate and stay illuminated until the next battery test.
- **Solenoid Engaged:** Illuminates any time the controller is activating the solenoid. Illumination will only occur when the controller senses the solenoid is active and calling for injection.

Fault Code

This same user interface will also permit fault codes to be easily viewed when the user presses and releases the Press to Test button in less than 2 seconds. When this occurs, both the Low Battery LED and Solenoid Engaged LED will blink twice ON/OFF quickly indicating that fault code display mode is active. For the next ~10 seconds, the fault codes will be displayed as shown in the table below. The display shows only the lower number fault code until that fault is resolved.

Table 6-1. BUS Fault Codes

Low Battery LED	Solenoid Engaged LED	Fault Code Number	Fault Code Definition
OFF	OFF	0	Normal Operation
OFF	Blinks 1 time	1	Primary Probe Failure
OFF	Blinks 2 times	2	Secondary Probe Failure
OFF	Blinks 3 times	3	Solenoid Driver Failure
OFF	Blinks 4 times	4	Low Tank

Each blink will take one second, with half of the second interval being ON (illuminated) and the other half of the second interval being OFF. After the sequence concludes, both the Low Battery LED and the Solenoid Engaged LED will flash four times ON/OFF quickly to indicate a return to normal display.

BUS Control Panel (cont.)

BUS Injection Test

The user must press and hold the Press-to-Test button for ≥ 2 seconds before injection occurs. After the Press-to-Test button is pressed for >30 seconds, the solenoid will turn off. This will avoid a button or button signal becoming stuck in an active condition.

During a Press-to-Test injection, if either RTD #1 or RTD #2 reads a temperature less than 20°C below BUS set point and it is determined to be a valid input, then injection will terminate immediately.

BUS Set point “Validation” Feedback

Whenever the BUS set point or working fluid changes, the BUS acknowledges the set point acceptance by causing the Low Battery LED and Solenoid Engaged LED to blink three times ON/OFF quickly. This does not imply that the BUS error-checked the values, other than that the value received was within the range of the BUS working correctly with prior programming.

Note The solenoid will not engage if lid is open. ▲



Caution The back-up system is designed to inject CO_2 or LN_2 . In the unlikely event of both probes failing, the back-up system will operate in PWM or Non-PWM mode based on jumper settings as per Note below.

Note PWM mode: If both probes fail, the solenoid will activate periodically, allowing the flow of refrigerant (CO_2 or LN_2).

Non-PWM mode: If both probes fail, the solenoid remains OFF and no refrigerant will flow.

For Hysteresis & Dual probe fault mode settings (Figure 6-7), locate Jumper J17 near to solenoid/ sensor connector (J1), refer to table below for operation details:

Table 6-2. Probe Fault Mode Settings

Jumper PIN	Status	Hysteresis	Dual Probe Fault Mode
J17 PIN 1 & PIN 2	Short Together/ Jumper Cap Installed	5°C	Non-PWM Mode
J17 PIN 1 & PIN 2	Open/No-Jumper Installed	9°C	PWM Mode

Figure 6-7. Jumper Cap for Hysteresis & Dual Probe Fault Mode Selection



Configure Optional Back Up System (BUS)

The optional BUS can be configured for LN₂ or CO₂ supply. Section 3 - Configuration contains instructions for setting the BUS type.

Set Optional BUS Set Point

The optional back up system is designed to inject CO₂ or LN₂ into the freezer compartment if the temperature rises above back up system set point. To set the BUS set point:

1. Press the Mode key until the Settings indicator lights.
2. Press right arrow until "BACKUP = -XX" displays in message center.
3. Press up or down arrow key until desired BUS set point is displayed.
4. Press Enter to save the setting.
5. Press the Mode key until the Run indicator lights, or press the right or left arrow to go to the next or previous parameter.

If no control keys are pressed, the freezer will automatically return to RUN mode after 5 minutes.



Warning Changing operating temp set point can affect BUS set point. BUS set point self adjusts to maintain a temp of at least 10°C above the operating temp set point. ▲

Note The BUS set point cannot be set any colder than the high temperature alarm set point. (See Section 1 - Setting the High Temperature Alarm). If the back-up system is installed with CO₂, then -65°C is the coldest BUS set point that can be used (if the cabinet set point is -75°C or colder). ▲

Program	From	To
1	-40	30°C
2	0	60°C
3	-100	38°C
4	-5	50°C
5	0	100°C
6	-100	200°C
7	-115	50°C
8	-10	70°C

Test the BUS Operation

After the freezer has stabilized and both batteries are fully charged, the BUS can be tested to verify proper operation.

Caution Disconnect the AC power to the freezer by turning power switch off. ▲

1. As the freezer warms up, verify the BUS injects at the desired temperature. Displayed temperature may vary by a few degrees from inject temperature due to the differences in probe locations.

Test the BUS Operation (cont.)

2. **Preventive Maintenance** - Monthly maintenance action to check CO₂ or LN₂ back-up system operation, alarms and battery voltage. - Check for fault codes on the BUS probe per Table 6-1. Also verify solenoid operation by performing a Press-To-Test.

Disconnect Fitting Assembly, Transfer Hose

To disconnect the freezer back-up from the gas supply:

1. Close the supply valve.
2. Depress the test button on the Back-Up System control box to remove the gas from the line.
3. Slowly disconnect the fitting assembly from the supply (in the event that any gas remains in the line).

Chart Recorder

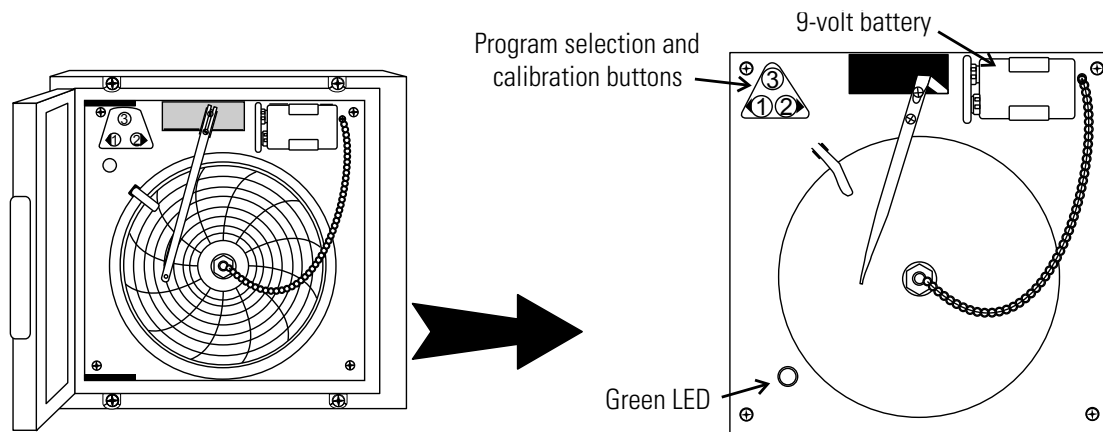


Figure 6-8. Recorder Details

Install Chart Paper

The following section describes the set up and operation of the optional chart recorder.

1. Open the plastic door of the recorder and press button #3 until the pen begins to move outward.
2. Unscrew the knob at the center of the chart and remove the paper.
3. Install the new chart paper, position the paper to the correct time line and replace the knob.
4. Remove the cap from the felt pen and press button #3.

Caution Do not use sharp or pointed objects to depress the chart buttons. This may cause permanent damage to the recorder. ▲

Caution Be careful not to pull up on the chart recorder arm while changing paper. Pulling on the arm may damage the recorder. ▲

Change Program

The chart recorder contains eight temperature ranges and is factory-programmed for the freezer. To change the recorder range:

1. Press and hold button #3 for one second, then let the pen move off the chart paper.
2. Press and hold for five seconds either button #1 or button #2.
3. Release the button and the green LED will begin to flash. Count the number of flashes to determine the present program setting.
4. To change the program setting, press the left or right arrows to increase or decrease the count.
5. When the desired program number is flashing, press button #3 to bring the pen arm back onto the chart. Recording will begin in the new program.

Calibrate Chart Recorder

The recorder must be in service for 24 hours before performing the following calibration procedure.

1. Place an accurate thermometer in the chamber next to the recorder probe.
2. Temperature probes for the recorder are located in the left front corner of the freezer chamber (Figure 1-4).
3. After about three minutes, compare the thermometer reading with the chart recorder reading.
4. If an adjustment is necessary, press the #1 button to move the pen to the left or the #2 to move the pen to the right. The button must be held about five seconds before the pen begins to move. Release the button when the pen position matches the thermometer.

Note The felt-tip pen on the recorder requires periodic replacement. Usually the ink will appear to fade before replacement becomes necessary. Additional pen tips may be purchased from Thermo. ▲

Section 6

Factory Installed Options

Section 7 Specifications

Number	803CA	803CV
Temperature Range	-50°C(-58°F) to -86°C(-123°F) in an 18C to 32C * (64.4F to 89.6F) ambient	
Exterior Dimensions	28.5"W x 43.8" H x 29.9" F-B (72.4cm x 111.3cm x 75.9cm) Add 7.9" (20.1cm) to F-B for wall spacer/handle.	
Interior Dimensions	18.5"W x 16.5"H x 18.5" F-B (47.0cm x 41.9cm x 47.0cm)	
Capacity	3.0 cu. ft. (84.9 liters)	
Refrigeration	Cascade system, (2) hermetically-sealed compressors	
Insulation	Non CFC, foamed-in-place urethane: 5.0" (12.7cm) cabinet; 2.0" (5.0cm) lid; 1.0" (12.5cm) sub-lids	
Electrical - nominal voltage ±10%	120VAC, 1 PH, 60 Hz, 10.5	230VAC, 1 PH, 50 Hz, 5.4
Breaker Requirements	15 Amp Dedicated Circuit, 15 Amp Time Delay Breaker	15 Amp Dedicated Circuit, 15 Amp Time Delay Breaker
Shipping Weight	432 lbs. (196 kg)	

Number	813CV	813CD	813CA
Temperature Range	-50°C(-58°F) to -86°C(-123°F) in an 18C to 32C * (64.4F to 89.6F) ambient		
Exterior Dimensions	72.0"W x 40.5" H x 33.4" F-B (182.9cm x 102.9cm x 84.8cm) Add 7.9" (20.1cm) to F-B for wall spacer/handle.		
Interior Dimensions	42.5"W x 28.0"H x 18.5" F-B (108.0cm x 71.1cm x 47.0cm)		
Capacity	12.7 cu. ft. (360 liters)		
Refrigeration	Cascade system, (2) hermetically-sealed compressors		
Insulation	Non CFC, foamed-in-place urethane: 5.0" (12.7cm) cabinet; 2.0" (5.0cm) lid; 1.0" (12.5cm) sub-lids		
Electrical - nominal voltage ±10%	230VAC, 1 PH, 50 Hz, 12.0	208-230VAC, 1 PH, 60 Hz, 12.0	120VAC, 1 PH, 60 Hz, 16.0
Breaker Requirements	15 Amp Dedicated Circuit, 15 Amp Time Delay Breaker	15 Amp Dedicated Circuit, 15 Amp Time Delay Breaker	20 Amp Dedicated Circuit, 20 Amp Time Delay Breaker
Shipping Weight	716 lbs. (325 kg)		

Section 7
Specifications

Number	817CA	817CV	817CD
Temperature Range	-50°C(-58°F) to -86°C(-123°F) in an 18C to 32C * (64.4F to 89.6F) ambient		
Exterior Dimensions	87.6"W x 40.5" H x 33.8" F-B (222.5cm x 102.9cm x 85.9cm) Add 7.9" (20.1cm) to F-B for wall spacer/handle.		
Interior Dimensions	58.8"W x 28.0"H x 18.5" F-B (149.4cm x 71.1cm x 47.0cm)		
Capacity	17.0 cu. ft. (481.4 liters)		
Refrigeration	Cascade system, (2) hermetically-sealed compressors		
Insulation	Non CFC, foamed-in-place urethane: 5.0" (12.7cm) cabinet; 2.0" (5.0cm) lid; 1.0" (12.5cm) sub-lids		
Electrical - nominal voltage ±10%	120VAC, 1 PH, 60 Hz, 16.0	230VAC, 1 PH, 50 Hz, 12.0	208-230VAC, 1 PH, 60 Hz, 12.0
Breaker Requirements	20 Amp Dedicated Circuit, 20 Amp Time Delay Breaker	15 Amp Dedicated Circuit, 15 Amp Time Delay Breaker	15 Amp Dedicated Circuit, 15 Amp Time Delay Breaker
Shipping Weight	821 lbs. (372 kg)		

Number	820CV	820CD	820CA
Temperature Range	-50°C(-58°F) to -86°C(-123°F) in an 18C to 32C * (64.4F to 89.6F) ambient		
Exterior Dimensions	96.0"W x 40.5" H x 33.4" F-B (243.8cm x 102.9cm x 84.8cm) Add 7.9" (20.1cm) to F-B for wall spacer/handle.		
Interior Dimensions	66.5"W x 28.0"H x 18.5" F-B (168.9cm x 71.1cm x 47.0cm)		
Capacity	20.0 cu. ft. (566.3 liters)		
Refrigeration	Cascade system, (2) hermetically-sealed compressors		
Insulation	Non CFC, foamed-in-place urethane: 5.0" (12.7cm) cabinet; 2.0" (5.0cm) lid; 1.0" (12.5cm) sub-lids		
Electrical - nominal voltage ±10%	230VAC, 1 PH, 50 Hz, 12.0	208-230VAC, 1 PH, 60 Hz, 12.0	120VAC, 1 PH, 60 Hz, 16.0
Breaker Requirements	15 Amp Dedicated Circuit, 15 Amp Time Delay Breaker	15 Amp Dedicated Circuit, 15 Amp Time Delay Breaker	20 Amp Dedicated Circuit, 20 Amp Time Delay Breaker
Shipping Weight	833 lbs. (378 kg)		

Number	703CA	703CV
Temperature Range	-10°C (14°F) to -40°C (-40°F) in an 18C to 32C * (64.4F to 89.6F) ambient	
Exterior Dimensions	28.5"W x 43.8" H x 29.9" F-B (72.4cm x 111.3cm x 75.9cm) Add 7.9" (20.1cm) to F-B for wall spacer/handle.	
Interior Dimensions	18.5"W x 16.5"H x 18.5" F-B (47.0cm x 41.9cm x 47.0cm)	
Capacity	3.0 cu. ft. (84.9 liters)	
Refrigeration	Hermetically-sealed compressor	
Insulation	Non CFC, foamed-in-place urethane: 5.0" (12.7cm) cabinet; 2.0" (5.0cm) lid; 1.0" (12.5cm) sub-lids	
Electrical - nominal voltage ±10%	120VAC, 1 PH, 60 Hz, 6.0	230VAC, 1 PH, 50 Hz, 3.0
Breaker Requirements	15 Amp Dedicated Circuit, 15 Amp Time Delay Breaker	15 Amp Dedicated Circuit, 15 Amp Time Delay Breaker
Shipping Weight	395 lbs. (179 kg)	

Number	713CV	713CD	713CA
Temperature Range	-10°C (14°F) to -40°C (-40°F) in an 18C to 32C * (64.4F to 89.6F) ambient		
Exterior Dimensions	72.0"W x 40.5" H x 33.4" F-B (182.9cm x 102.9cm x 84.8cm) Add 7.9" (20.1cm) to F-B for wall spacer/handle.		
Interior Dimensions	42.5"W x 28.0"H x 18.5" F-B (108.0cm x 71.1cm x 47.0cm)		
Capacity	12.7 cu. ft. (360 liters)		
Refrigeration	Hermetically-sealed compressor		
Insulation	Non CFC, foamed-in-place urethane: 5.0" (12.7cm) cabinet; 2.0" (5.0cm) lid; 1.0" (12.5cm) sub-lids		
Electrical - nominal voltage ±10%	230VAC, 1 PH, 50 Hz, 3.0	208-230VAC, 1 PH, 60 Hz, 3.0	120VAC, 1 PH, 60 Hz, 6.0
Breaker Requirements	15 Amp Dedicated Circuit, 15 Amp Time Delay Breaker	15 Amp Dedicated Circuit, 15 Amp Time Delay Breaker	20 Amp Dedicated Circuit, 20 Amp Time Delay Breaker
Shipping Weight	716 lbs. (325 kg)		

Section 7
Specifications

Number	717CA	717CD	717CV
Temperature Range	-10°C (14°F) to -40°C (-40°F) in an 18C to 32C * (64.4F to 89.6F) ambient		
Exterior Dimensions	87.6.0"W x 40.5" H x 33.8" F-B (222.5cm x 102.9cm x 85.9cm) Add 7.9" (20.1cm) to F-B for wall spacer/handle.		
Interior Dimensions	58.8"W x 28.0"H x 18.5" F-B (149.4cm x 71.1cm x 47.0cm)		
Capacity	17.0 cu. ft. (481.4 liters)		
Refrigeration	Hermetically-sealed compressor		
Insulation	Non CFC, foamed-in-place urethane: 5.0" (12.7cm) cabinet; 2.0" (5.0cm) lid; 1.0" (12.5cm) sub-lids		
Electrical - nominal voltage ±10%	120VAC, 1 PH, 60 Hz, 9.0	208-230VAC, 1 PH, 60 Hz, 7.0	230VAC, 1 PH, 50 Hz, 7.0
Breaker Requirements	20 Amp Dedicated Circuit, 20 Amp Time Delay Breaker	15 Amp Dedicated Circuit, 15 Amp Time Delay Breaker	15 Amp Dedicated Circuit, 15 Amp Time Delay Breaker
Shipping Weight	764 lbs. (347 kg)		

Number	720CV	720CD	720CA
Temperature Range	-10°C (14°F) to -40°C (-40°F) in an 18C to 32C * (64.4F to 89.6F) ambient		
Exterior Dimensions	96.0"W x 40.5" H x 33.4" F-B (243.8cm x 102.9cm x 84.8cm) Add 7.9" (20.1cm) to F-B for wall spacer/handle.		
Interior Dimensions	66.5"W x 28.0"H x 18.5" F-B (168.9cm x 71.1cm x 47.0cm)		
Capacity	20.0 cu. ft. (566.3 liters)		
Refrigeration	Hermetically-sealed compressor		
Insulation	Non CFC, foamed-in-place urethane: 5.0" (12.7cm) cabinet; 2.0" (5.0cm) lid; 1.0" (12.5cm) sub-lids		
Electrical - nominal voltage ±10%	230VAC, 1 PH, 50 Hz, 6.5	208-230VAC, 1 PH, 60 Hz, 6.5	120VAC, 1 PH, 60 Hz, 10.0
Breaker Requirements	15 Amp Dedicated Circuit, 15 Amp Time Delay Breaker	15 Amp Dedicated Circuit, 15 Amp Time Delay Breaker	20 Amp Dedicated Circuit, 20 Amp Time Delay Breaker
Shipping Weight	776 lbs. (352 kg)		

Certifications

Declaration of Conformity is available upon request

Safety Specifications

Indoor Use Only

Altitude - up to 2,000 meters

Temperature - 5°C to 43°C

Humidity - Maximum RH 80% for temperatures up to 31°C, decreasing linearly to 50% RH at 40°C

Mains Supply Fluctuations - Mains supply voltage fluctuations not to exceed ±10% of the nominal voltage

Installation Category II ¹

Pollution Degree 2 ²

Class of Equipment I

Fluorinated Greenhouse Gases

Compliant with REGULATION (EU) No 517/2014 OF THE EUROPEAN PARLIAMENT AND OF THE COUNCIL on fluorinated greenhouse gases.

This product contains fluorinated greenhouse gases in a hermetically sealed system. If a leak in the sealed system is detected, the operator shall repair without undue delay.

For ULT models rated 230V/50Hz, intended for import into the EU, the following sizes are designed for use with the following amounts of fluorinated greenhouse gases:

For -86°C rated units

Size (ft ³)	1st Stage			2nd Stage		
	Refrigerant	Amount (kg)	GWP	Refrigerant	Amount (kg)	GWP
3	R-404a	0.232	3 922	R-508b	0.188	13 396
12.7	R-404a	0.680	3 922	R-508b	0.425	13 396
17	R-404a	0.680	3 922	R-508b	0.439	13 396
20	R-404a	0.680	3 922	R-508b	0.454	13 396

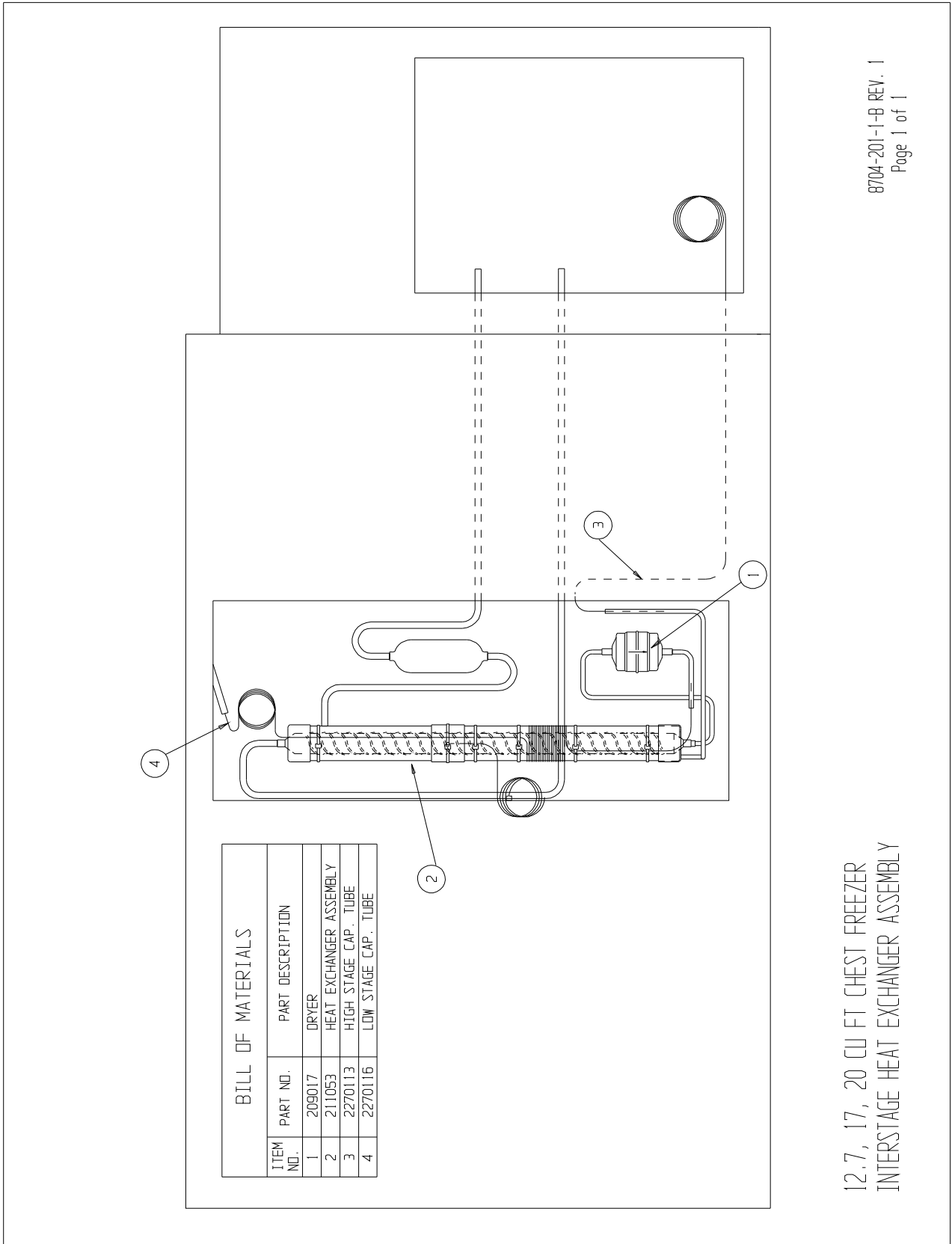
For -40°C rated units

Size (ft ³)	1st Stage		
	Refrigerant	Amount (kg)	GWP
3	R-404a	0.425	3 922
12.7	R-404a	0.539	3 922
17	R-404a	0.595	3 922
20	R-404a	0.652	3 922

¹ Installation category (overvoltage category) defines the level of transient overvoltage which the instrument is designed to withstand safely. It depends on the nature of the electricity supply and its overvoltage protection means. For example, in CAT II which is the category used for instruments in installations supplied from a supply comparable to public mains such as hospital and research laboratories and most industrial laboratories, the expected transient overvoltage is 2500V for a 230V supply and 1500V for a 120V supply.

² Pollution degree describes the amount of conductive pollution present in the operating environment. Pollution degree 2 assumes that normally only non-conductive pollution such as dust occurs with the exception of occasional conductivity caused by condensation.

Section 7
Specifications



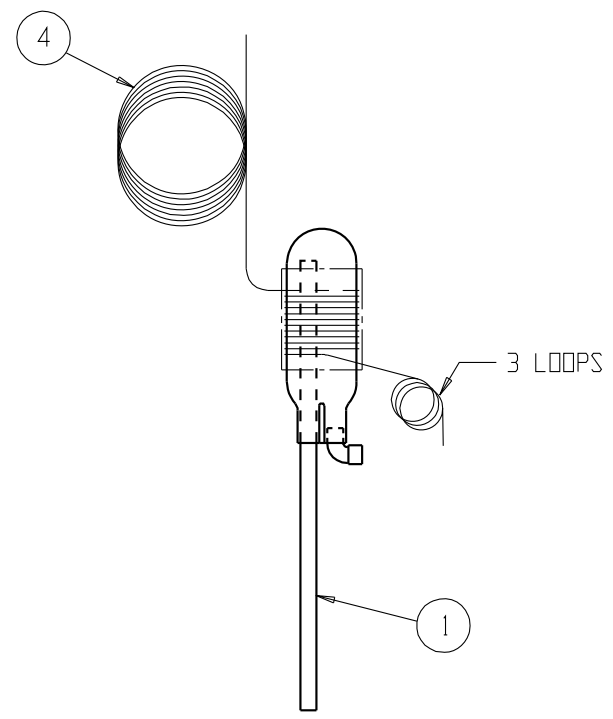
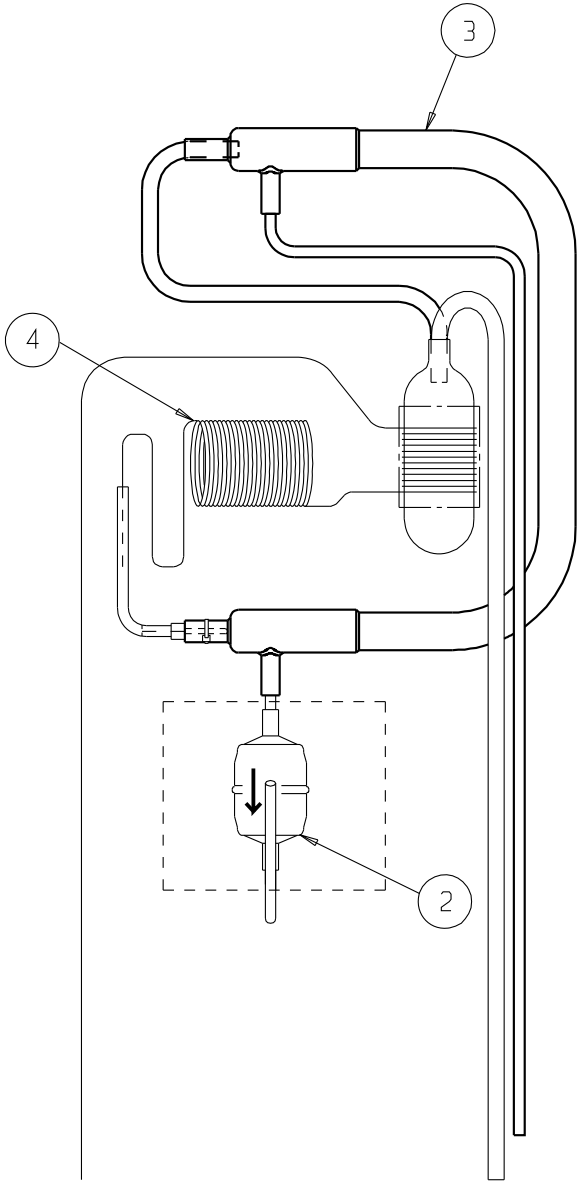
8704-201-1-B REV. 1
Page 1 of 1

12.7, 17, 20 CU FT CHEST FREEZER
INTERSTAGE HEAT EXCHANGER ASSEMBLY

Section 8
Spare Parts

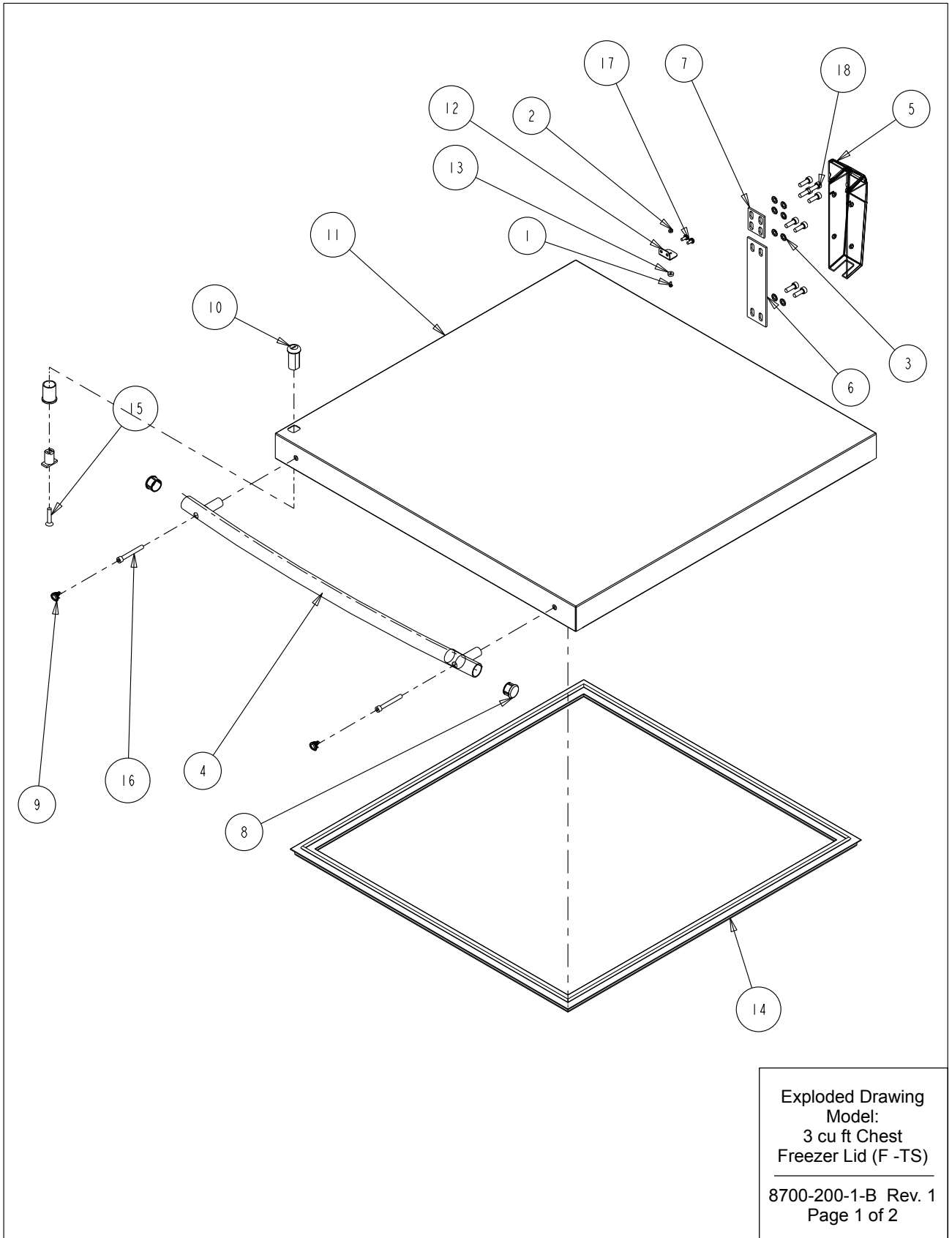
BILL OF MATERIALS

ITEM NO.	PART NO.	PART DESCRIPTION
1	202003	ACCUMULATOR ASSEMBLY
2	209019	DRYER
3	211044	HEAT EXCHANGER ASSEMBLY
4	227992	HIGH & LOW STAGE CAP. TUBE



Exploded Drawing
3 cu ft Chest Freezer
Heat Exchanger

8700-201-1-B Rev. 0
Page 1 of 1

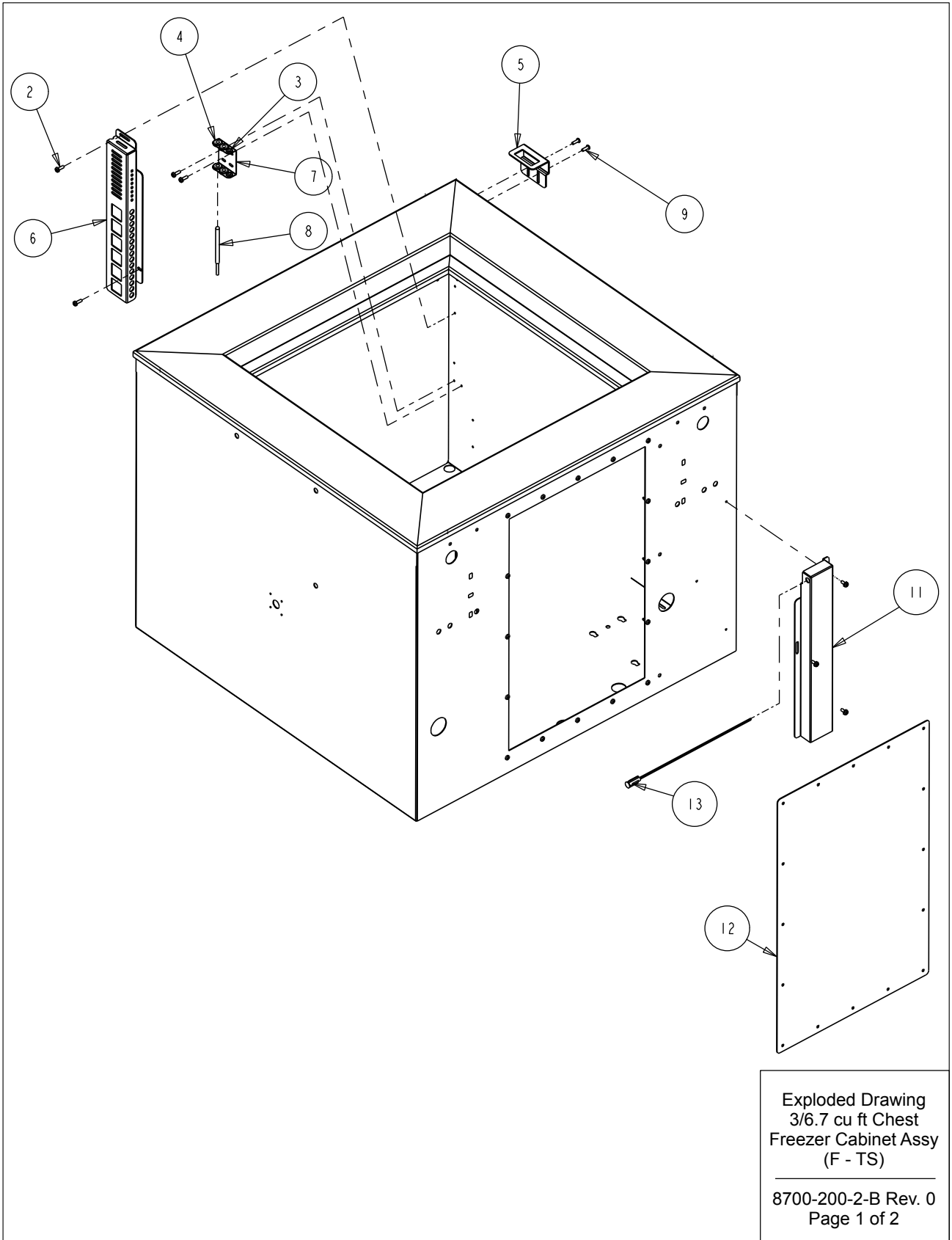


Section 8
Spare Parts

BILL OF MATERIALS		
ITEM NO.	PART NO.	PART DESCRIPTION
1	22130	#4-40 X 1/4 SS PHP SCREW
2	23005	#4-40 SS HEX NUT
3	23062	1/4 SS EXT TOOTH LOCKWASHER
4	115038	646 SID BLUE RADIUSED HANDLE
5	116136	SPRING LOADED HINGE
6	116137	HINGE SHIM LAYOUT
7	116138	HINGE SHIM LAYOUT
8	180314	THERMO ULT CHEST HANDLE END CAP
9	180315	ULT CHEST HANDLE SCREW COVER
10	195332	LOCK MOUNT ASSEMBLY
11	195950	3.0 CU. FT. CHEST FREEZER LID
12	195970	3/6.7 LID SWITCH MAGNET MOUNT
13	360257	SWITCH MAGNET
14	431148	3.0 CU. FT. CHEST FREEZER LID GASKET
15	490023	#1/4-28 X 1-1/4 SS FHP SCREW
16	530027	1/4-20 X 2L SS HEX SOCKET CAP SCREW
17	590020	#8-32 X 3/8 SS PHP EXT SEMS SCREW
18	3176861	1/4-20 x 3/4 SOCKET HEAD SCREW

Exploded Drawing
Model:
3 cu ft Chest
Freezer Lid (F -TS)

8700-200-1-B Rev. 1
Page 2 of 2

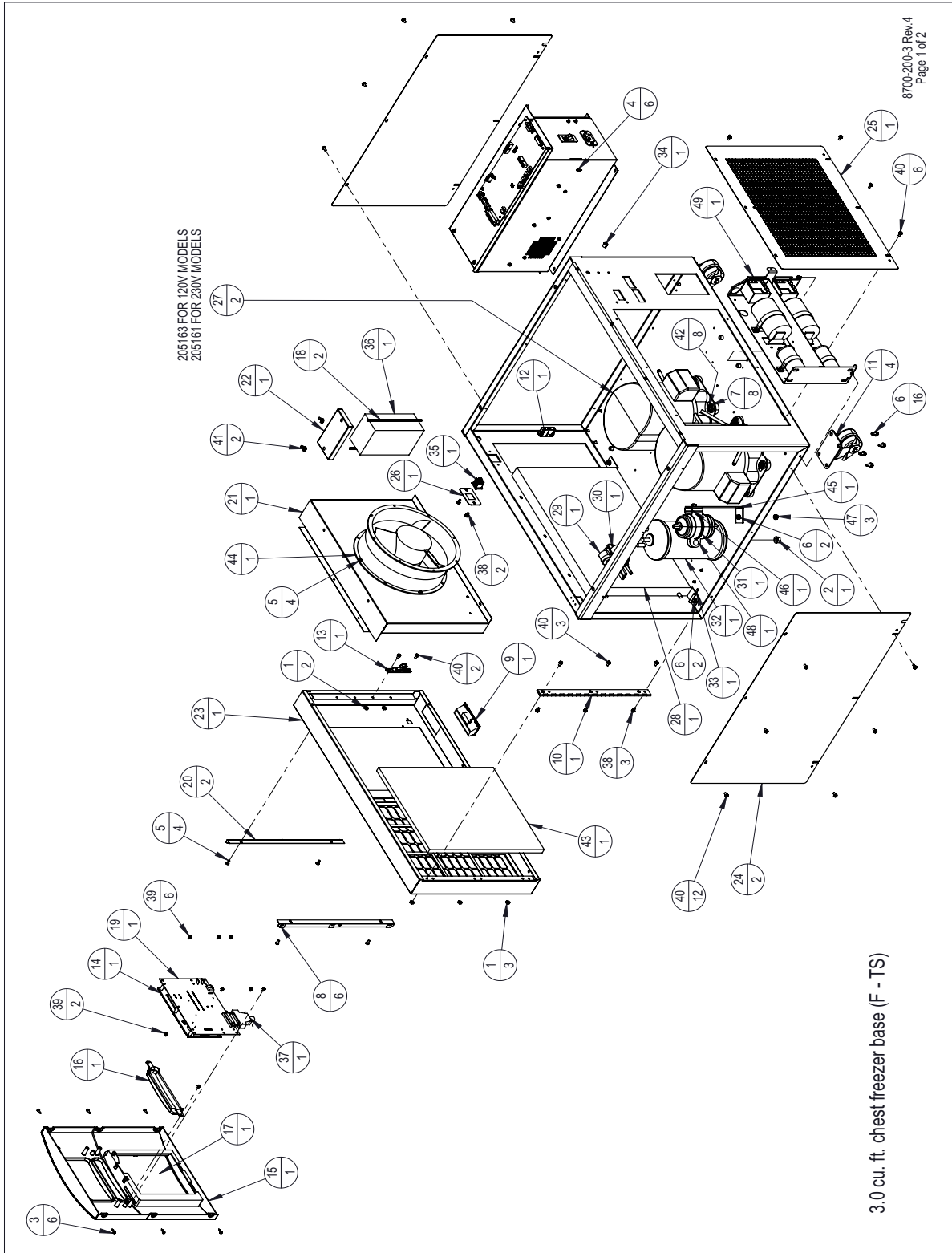


Exploded Drawing
3/6.7 cu ft Chest
Freezer Cabinet Assy
(F - TS)
8700-200-2-B Rev. 0
Page 1 of 2

Section 8
Spare Parts

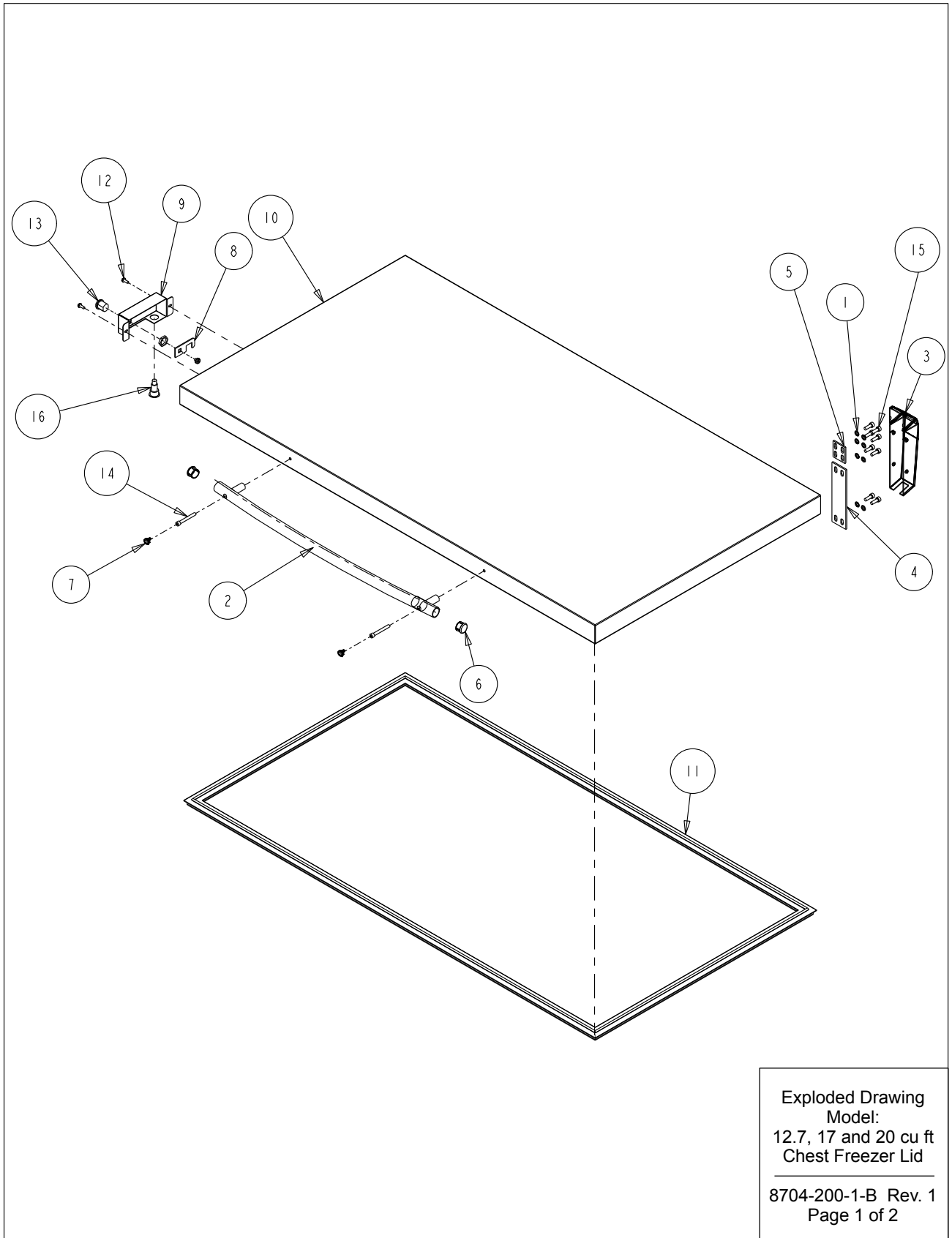
BILL OF MATERIALS		
ITEM NO.	PART NO.	PART DESCRIPTION
1	24030	#8 X 1/2" TEKS SCREW
2	24042	#8-32 X 1/2 SS PHP SCREW F POINT
3	30073	5/16" X 3/16" ID GROMMET
4	114020	5/8" X 1/2" ID GROMMET
5	189526	LID LOCK MOUNT LAYOUT
6	195866	PROBE GUARD
7	195867	PROBE MOUNT
8	290176	CONTROL PROBE
9	550022	#8-32 X 1/2L BUTTON HD TORX SCREW
10	590020	#8-32 X 3/8 SS PHP EXT SEMS SCREW
11	1950371	3 C.F. CHEST LID SWITCH BRACKET
12	195622-34-1	REAR COVER PLATE
13	360230	MAGNETIC SWITCH

Exploded Drawing
3/6.7 cu ft Chest
Freezer Cabinet Assy
(F - TS)
8700-200-2-B Rev. 0
Page 2 of 2



BILL OF MATERIALS	
ITEM NO.	PART NO. PART DESCRIPTION
1	23002 #8-32 ZP LKWASH HEX NUT
2	23013 3/8-16 ZP LKWASH HEX NUT
3	24016 #6 X 1/2" SS PHP SCREW AB POINT
4	24030 #8 X 1/2" TEKS SCREW
5	24032 #8-32 X 3/8 SS PHP SCREW F POINT
6	24038 1/4-20 X 1/2 SELF TAPPING SCREW
7	24049 1/4 ZP FLAT WASHER
8	25040 #6 U SPEED NUT STL. STL.
9	115032 BLACK ABS PLASTIC PULL
10	116115 FRONT PANEL HINGE
11	120011 DUAL WHEEL CASTER
12	121071 LATCH CATCH, PART OF 121071 ASSEMBLY
13	121071 LATCH KEEPER, PART OF 121071 ASSEMBLY
14	140452 CONTROL PANEL ASSEMBLY
15	180305 CONTROL CENTER DISPLAY BEZEL "SID BLU"
16	180306 THERMO BACK-UP SYSTEM BLANK PANEL "SID BLUE"
17	180308 CONTROL CENTER RECORDER BLANK "SID BLU"
18	191385 FILTER HOLD DOWN ROD
19	191953 FREEZER DISPLAY BOARD
20	195837 MOUNTING ANGLE FOR 180305
21	195923 3.0 & 6.7 CU. FT. CHEST FREEZER FAN SHROUD
22	195924 SINGLE BATTERY MOUNT BRACKET
23	195925 3.0 CU. FT. FRONT FILTER PANEL SUB-ASSEMBLY
24	195927 3.0 & 6.7 CHEST FREEZER SIDE PANEL
25	195928 3.0 CU.FT. CHEST REAR GRILLE
26	195931 3.0 & 6.7 CU. FT BATTERY SWITCH BRACKET
27	205163 L/S & H/S COMPRESSOR 120V
28	204001 CONDENSER WIDESUPERHEATER
29	207008 PRESSURE SWITCH
30	207010 PRESSURE SWITCH

BILL OF MATERIALS	
ITEM NO.	PART NO. PART DESCRIPTION
31	209017 DRYER,C-062,1/4 ODS
32	214023 OIL SEPARATOR
33	290178 CONDENSER PROBE
34	330003 3/8" SPLIT SNAP BUSHING
35	360248 SWITCH, MINI SNAP IN POWER
36	400159 LEAD-ACID BATT. 12V 7AH
37	430336 15 FT, RS-232 CABLE 25 POS.
38	590020 SCREW, # 6-32X3/8,SS PHP
39	590027 SCREW, # 6-32X1/4 SS PHP
40	590029 #8-32 X 3/8 SS PHP EXT SEMS SCREW W/PATCH
41	610009 1/4-20 S.S. WING NUT
42	680017 1/4 - 20 X 1 - 1/4 SELF TAPPING SCREW
43	760211 3 AND 6.7 CU. FT. CHEST FREEZER AIR FILTER
44	900113 10" TUBEAXIAL FAN, 115V
45	1950850 FILTER DRIER MOUNTING BRACKET
46	200126 2" RIGID HANGER
47	23011 1/4-20 ZP LKWASH HEX NUT
48	550043 1/4-20 X 1" L ZP CARRIAGE BOLT
49	120230-01-1 CHEST FREEZER START COMPONENT ENCLOSURE ASSEMBLY



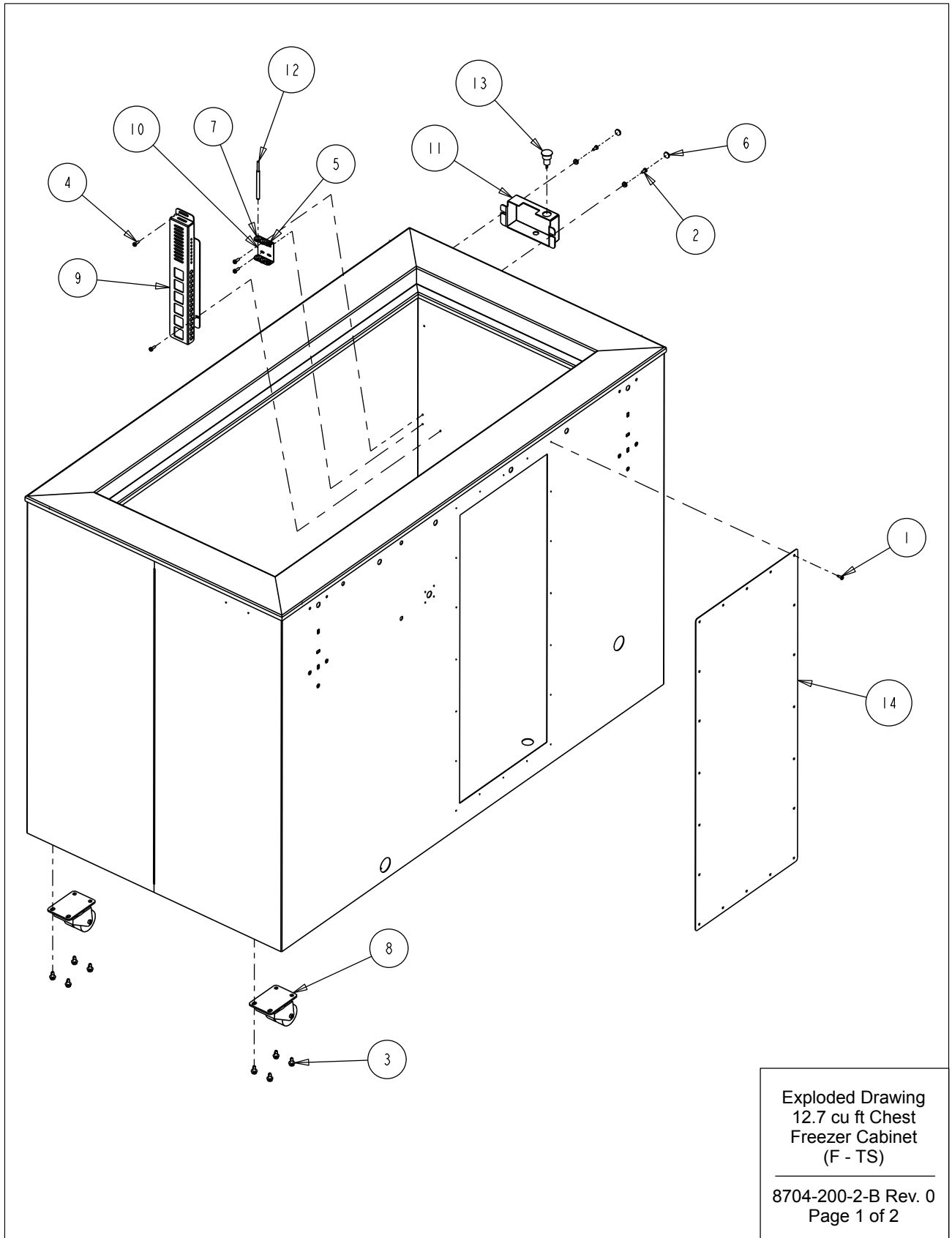
Exploded Drawing
Model:
12.7, 17 and 20 cu ft
Chest Freezer Lid
8704-200-1-B Rev. 1
Page 1 of 2

Section 8
Spare Parts

BILL OF MATERIALS		
ITEM NO.	PART NO.	PART DESCRIPTION
1	23062	1/4 SS EXT TOOTH LOCKWASHER
2	115038	646 SID BLUE RADIUSED HANDLE
3	116136	SPRING LOADED HINGE
4	116137	HINGE SHIM LAYOUT
5	116138	HINGE SHIM LAYOUT
6	180314	THERMO ULT CHEST HANDLE END CAP
7	180315	ULT CHEST HANDLE SCREW COVER
8	189529	CHEST FREEZER LOCK STRIKE
9	195935	CHEST FREEZER LOCK MOUNT
10	195958	12.7 CU. FT. CHEST FREEZER LID
11	431133	12.7 CU. FT. CHEST FREEZER LID GASKET
12	510022	#10-32 X 1/2" LONG SLOTTED HEX HEAD SCREW
13	515070	PANEL MOUNT TUMBLER LOCK
14	530027	1/4-20 X 2L SS HEX SOCKET CAP SCREW
15	3176861	1/4-20 x 3/4 SOCKET HEAD SCREW
16	360256	MAGNETIC SWITCH MAGNET

FOR 17 CU. FT. MODELS - USE PART 195957 LID AND PART 990036 GASKET
 FOR 20 CU. FT. MODELS - USE PART 195956 LID AND PART 431132 GASKET

Exploded Drawing
 Model:
 12.7, 17 and 20 cu ft
 Chest Freezer Lid
 8704-200-1-B Rev. 1
 Page 2 of 2

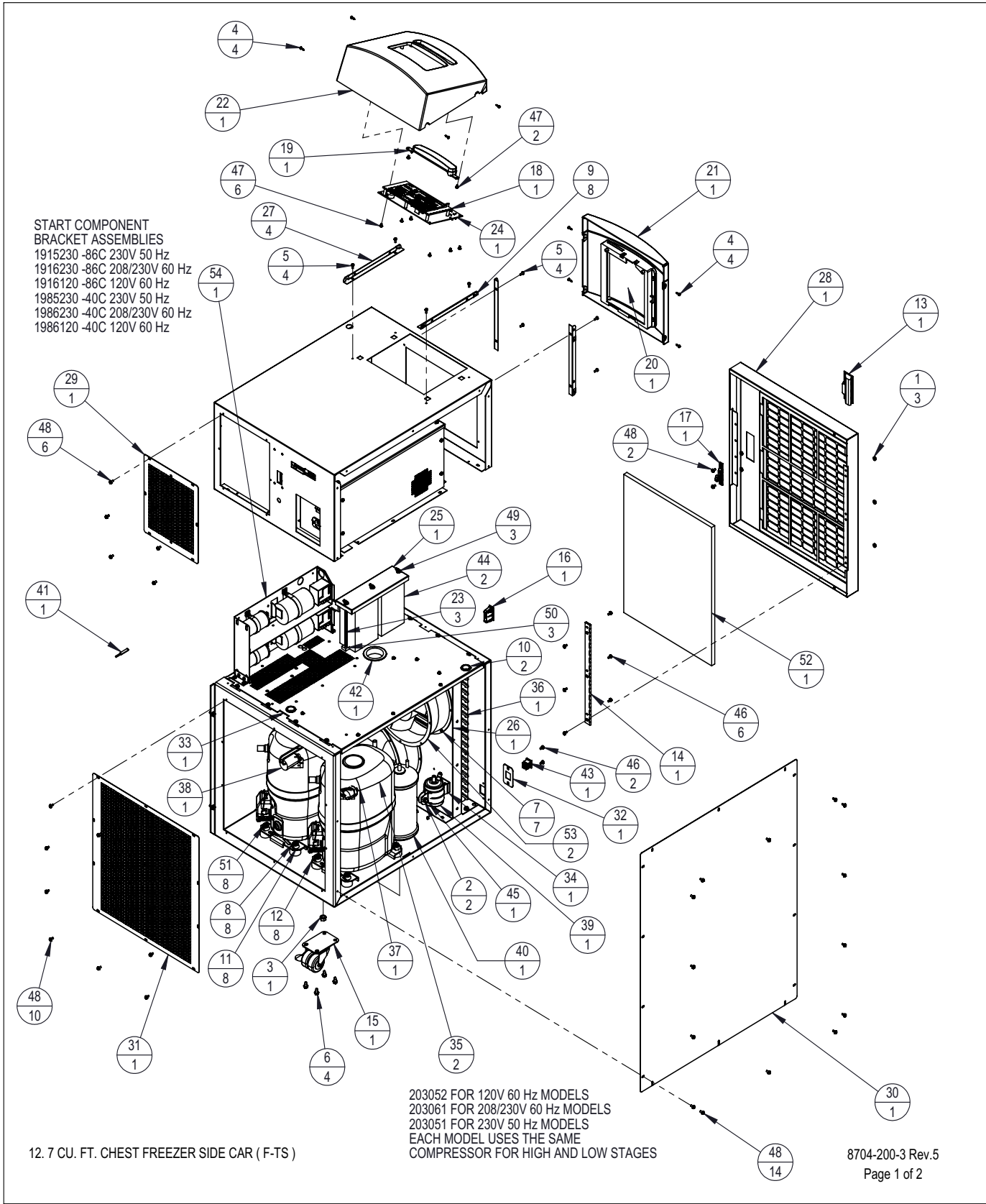


Section 8
Spare Parts

BILL OF MATERIALS		
ITEM NO.	PART NO.	PART DESCRIPTION
1	24030	#8 X 1/2" TEKS SCREW
2	24032	#8-32 X 3/8 SS PHP SCREW F POINT
3	24038	1/4-20 X 1/2 SELF TAPPING SCREW
4	24042	#8-32 X 1/2 SS PHP SCREW F POINT
5	30073	5/16" X 3/16" ID GROMMET
6	110028	DECORATIVE SNAP CAP
7	114020	5/8" X 1/2" ID GROMMET
8	120011	DUAL WHEEL CASTER
9	195866	PROBE GUARD
10	195867	PROBE MOUNT
11	195936	LOCK CATCH
12	290176	CONTROL PROBE
13	360256	MAGNETIC SWITCH
14	195478-39-1	REAR COVER PLATE

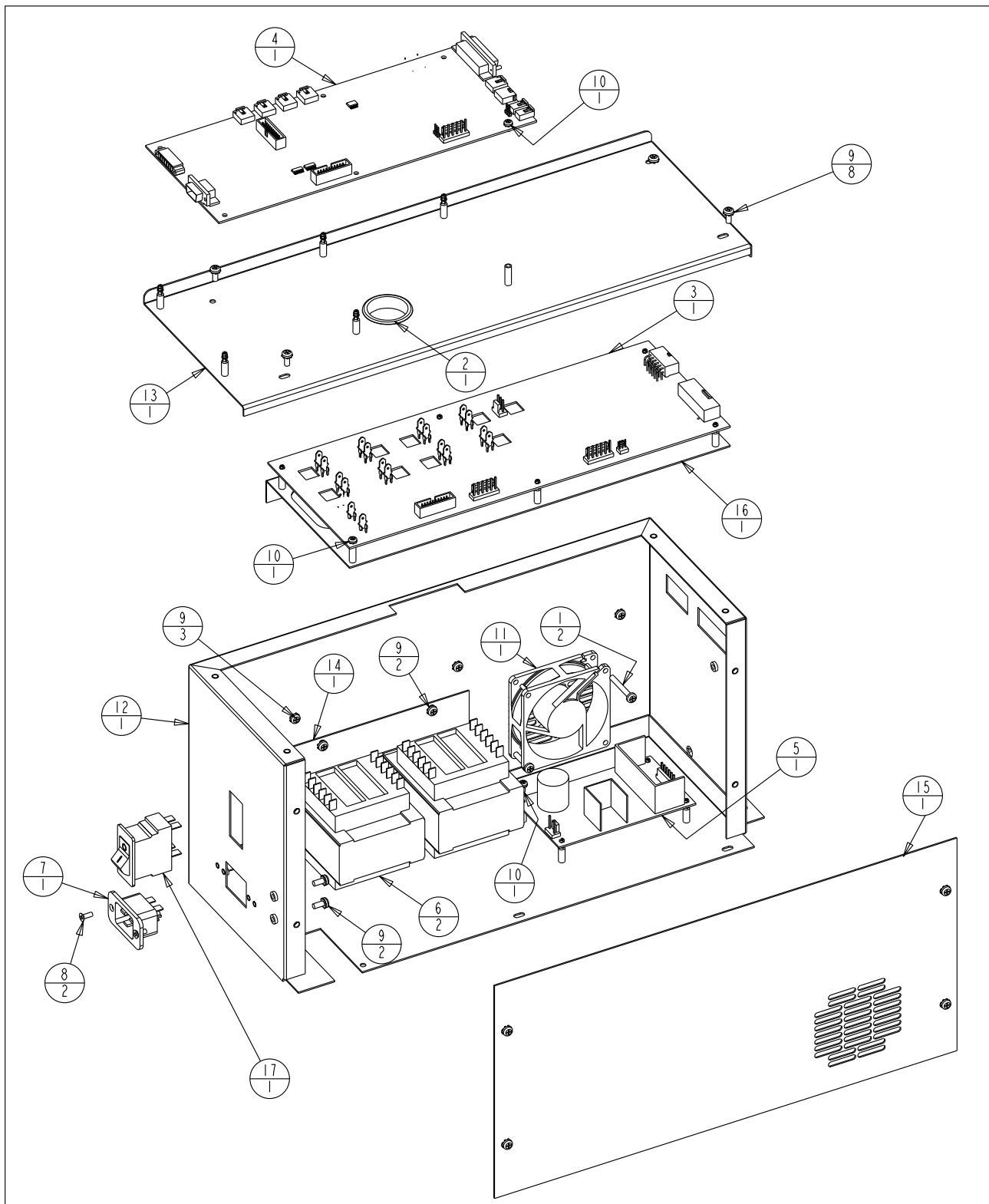
Exploded Drawing
12.7 cu ft Chest
Freezer Cabinet
(F - TS)

8704-200-2-B Rev. 0
Page 2 of 2



Section 8
Spare Parts

			BILL OF MATERIALS		
ITEM NO.	PART NO.	PART DESCRIPTION			
1	23002	#8-32 ZP LKWASH HEX NUT			
2	23011	1/4-20 ZP LKWASH HEX NUT			
3	23013	3/8-16 ZP LKWASH HEX NUT			
4	24016	#6 X 1/2" SS PHP SCREW AB POINT			
5	24032	#8-32 X 3/8 SS PHP SCREW F POINT			
6	24038	1/4-20 X 1/2 SELF TAPPING SCREW			
7	24042	#8-32 X 1/2 SS PHP SCREW F POINT			
8	24049	1/4 ZP FLAT WASHER			
9	25040	#6 U SPEED NUT STL. STL.			
10	30016	1" SNAP BUSHING			
11	114033	COMPRESSOR MOUNTING FOOT			
12	114034	COMPRESSOR MOUNTING SLEEVE			
13	115032	BLACK ABS PLASTIC PULL			
14	116115	FRONT PANEL HINGE			
15	120011	DUAL WHEEL CASTER			
16	121071	LATCH CATCH, PART OF 121071 ASSEMBLY			
17	121071	LATCH KEEPER, PART OF 121071 ASSEMBLY			
18	140452	CONTROL PANEL ASSEMBLY			
19	180306	THERMO BACK-UP SYSTEM BLANK PANEL "SID BLUE"			
20	180308	CONTROL CENTER RECORDER BLANK "SID BLU"			
21	180311	THERMO SIDE CAR RECORDER BEZEL			
22	180327	THERMO CHEST CONTROL CENTER BEZEL			
23	191385	FILTER HOLD DOWN ROD			
24	191953	FREEZER DISPLAY BOARD			
25	195768	BATTERY MOUNT TOP			
26	195782	CHEST FREEZER FAN SHROUD			
27	195783	CHEST FREEZER CONTROL PANEL MOUNTING ANGLE			
BILL OF MATERIALS			28	195791	CHEST FREEZER FRONT PANEL ASSEMBLY
ITEM NO.	PART NO.	PART DESCRIPTION	29	195806	CHEST FREEZER REAR ACCESS PANEL
33	195949	CHEST FREEZER SIDE CAR DIVIDER	30	195807	CHEST FREEZER SIDE CAR SIDE COVER
34	200126	2" RIGID HANGER	31	195808	CHEST FREEZER SIDE CAR REAR PANEL
35	203061	H/L STG COMP. 230V 60HZ	32	195931	3.0 & 6.7 CU. FT BATTERY SWITCH BRACKET
36	204010	CONDENSOR W/DESUPERHEATER			
37	207008	PRESSURE SWITCH			
38	207010	PRESSURE SWITCH			
39	209020	LIQUID LINE FILTER DRYER WITH ACCESS PORT			
40	214023	OIL SEPARATOR			
41	290178	CONDENSER PROBE			
42	330039	2-1/2" SNAP BUSHING			
43	360248	SWITCH, MINI SNAP IN POWER			
44	400159	LEAD-ACID BATT. 12V 7AH			
45	550043	1/4-20 X 1" L ZP CARRIAGE BOLT			
46	590020	SCREW, # 8-32X3/8,SS PHP			
47	590027	SCREW, # 6-32X1/4 SS PHP			
48	590029	#8-32 X 3/8 SS PHP EXT SEMS SCREW W/PATCH			
49	610009	1/4-20 S.S. WING NUT			
50	610078	1/4-20 NUT RETAINER (.025-.063 PANEL)			
51	680008	1/4-20 X 1-3/4 SELF TAPPING SCREW			
52	760212	12, 17 AND 20 CU. FT. CHEST AIR FILTER			
53	900113	10" TUBEAXIAL FAN, 115V			
54	120230-01-1	CHEST FREEZER START COMPONENT ENCLOSURE ASSEMBLY			
					12. 7 CU. FT. CHEST FREEZER SIDE CAR (F-TS)



230V RELAY ENCLOSURE ASSEMBLY

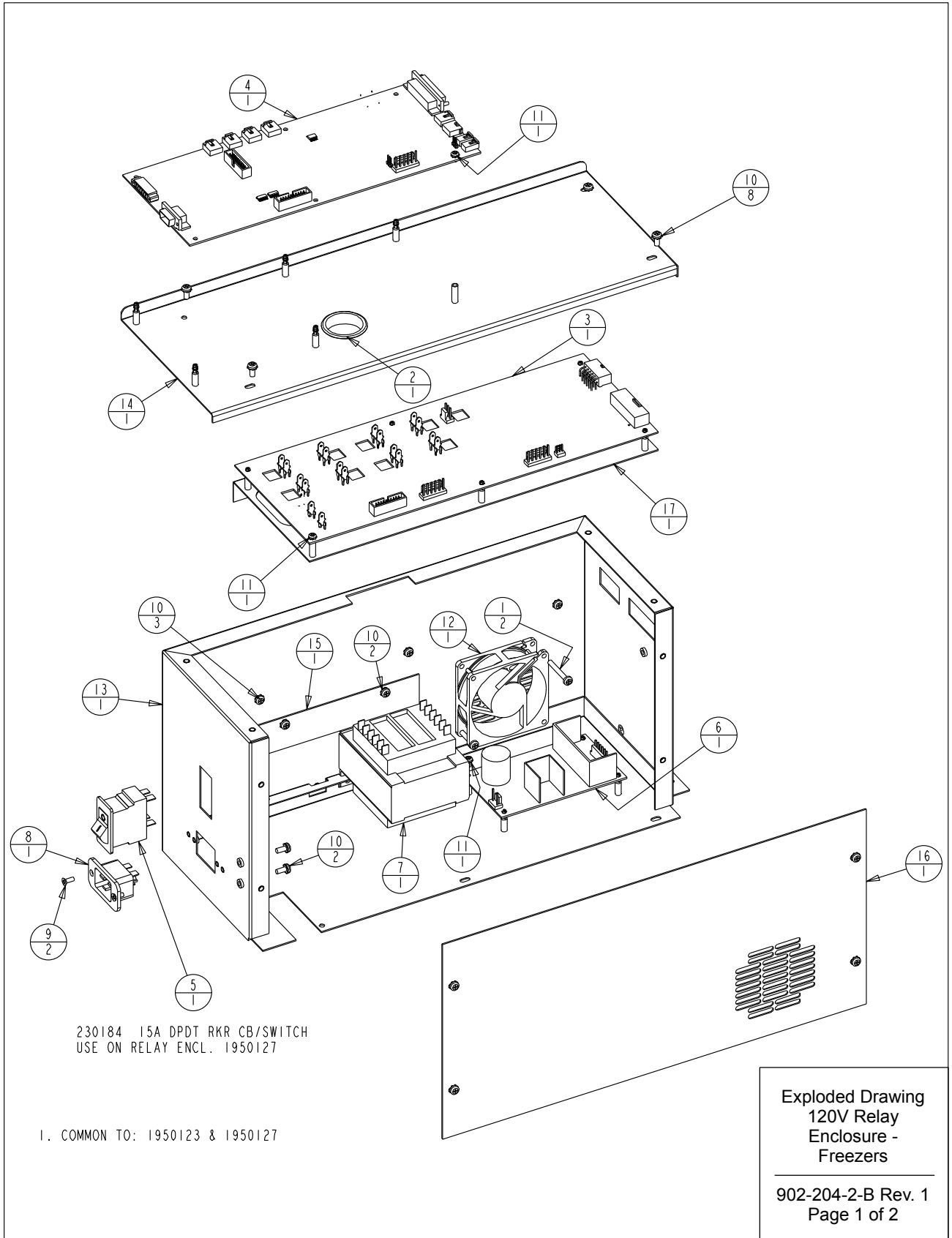
Section 8
Spare Parts

BILL OF MATERIALS		
ITEM NO.	PART NO.	PART DESCRIPTION
1	22143	#8-32 x 1-1/4 SS PHP SCREW
2	30077	1-1/2" SNAP BUSHING
3	191923	HIGH VOLTAGE BOARD 230V
4	191989	MICRO BOARD (HIGH END)
5	400165	SWITCHER BOARD
6	420090	175V TRANSFORMER
7	460169	POWER INLET, 16/20A
8	490009	#6-32 X 3/8 SS FHP UC SCREW
9	590020	#8-32 X 3/8 SS PHP EXT SEMS SCREW
10	590027	#6-32 X 1/4 SS PHP EXT SEMS SCREW
11	900134	TUBEAXIAL FAN, 30 CFM, 12V
12	195631-16-1	RELAY ENCLOSURE SPOTWELD SUB-ASSEMBLY
13	195631-16-4	RELAY ENCLOSURE COVER/191656 SUPPORT
14	195631-31-3	TRANSFORMER HOLD DOWN
15	195631-31-5	RELAY ENCLOSURE COVER (MAIN)
16	195730-16-1	191658 SUPPORT BRACKET SUB-ASSEMBLY
17	230184	15A DPDT SWITCH/CIRCUIT BKR

I. COMMON TO: 1950124 & 1950128

230V RELAY ENCLOSURE ASSEMBLY

902-204-1-B Rev. 2
Page 2 of 2



Section 8
Spare Parts

REV	ECN NO.	DATE	BY	CAD	APPD	DESCRIPTION OF REVISION
0	FR-2202	06-23-11	KDG	KDG	DRP	RELEASED FOR PRODUCTION / REL. 6
1	FR-2409	10-10-12	AJC	KDG	CCS	REMOVED 1950121 & 1950125 LOW END BOXES

BILL OF MATERIALS		
ITEM NO.	PART NO.	PART DESCRIPTION
1	22143	#8-32 x 1-1/4 SS PHP SCREW
2	30077	1-1/2" SNAP BUSHING
3	191932	HIGH VOLTAGE BOARD 120V
4	191989	MICRO BOARD (HIGH END)
5	230183	20A DPDT SWITCH/CIRCUIT BKR
6	400165	SWITCHER BOARD
7	420065	175V TRANSFORMER
8	460169	POWER INLET, 16/20A
9	490009	#6-32 X 3/8 SS FHP UC SCREW
10	590020	#8-32 X 3/8 SS PHP EXT SEMS SCREW
11	590027	#6-32 X 1/4 SS PHP EXT SEMS SCREW
12	900134	TUBEAXIAL FAN, 30 CFM, 12V
13	195631-16-1	RELAY ENCLOSURE SPOTWELD SUB-ASSEMBLY
14	195631-16-4	RELAY ENCLOSURE COVER/191656 SUPPORT
15	195631-31-3	TRANSFORMER HOLD DOWN
16	195631-31-5	RELAY ENCLOSURE COVER (MAIN)
17	195730-16-1	191658 SUPPORT BRACKET SUB-ASSEMBLY

THIS DOCUMENT CONTAINS PROPRIETARY INFORMATION AND SUCH INFORMATION IS NOT TO BE DISCLOSED TO OTHERS FOR ANY PURPOSE NOR USED FOR MANUFACTURING PURPOSE WITHOUT WRITTEN PERMISSION FROM THERMO FISHER SCIENTIFIC

ThermoFisher
SCIENTIFIC

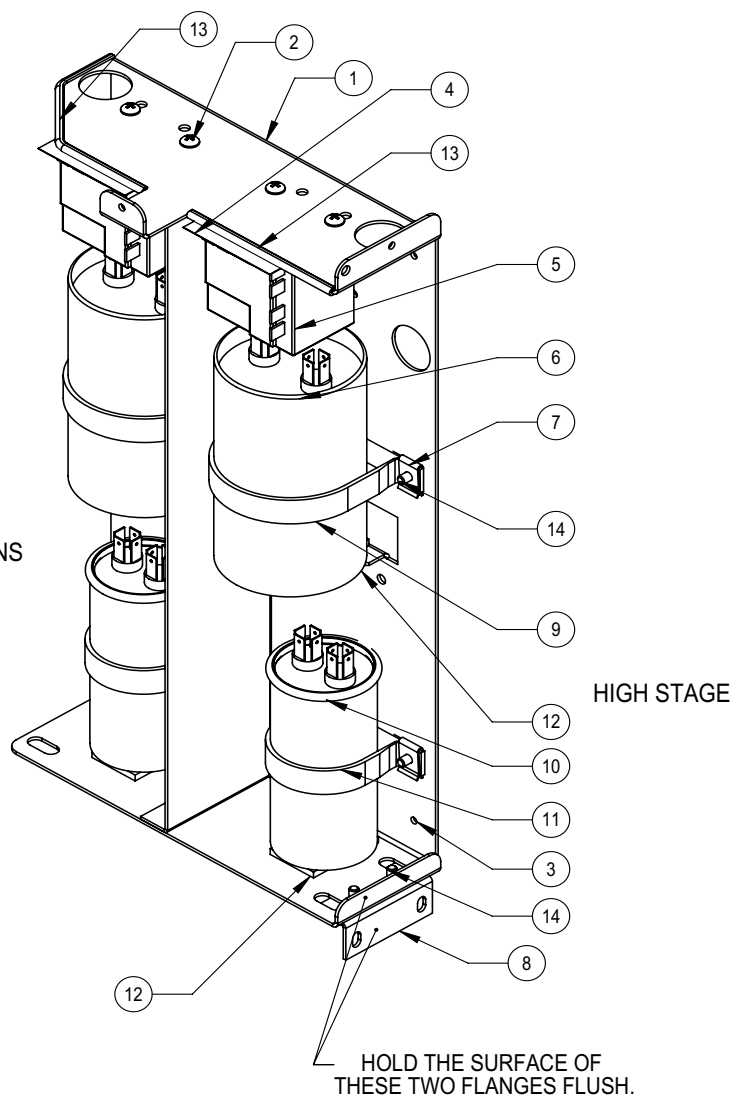
BOX 649, MARIETTA, OHIO 45750

MODEL/PART NAME: RELAY ENCLOSURE ASSEMBLY					
DWG TITLE: 120 VOLT RELAY ENCLOSURE ASSY					
DWN: KDG	CAD: KDG	APPD: DRP	DATE: 06-23-11	SCALE: 0.250	
MATERIAL: -					
PAINT: N/A					
TOLERANCE UNLESS OTHERWISE SPECIFIED			DRAWING NUMBER	SIZE	
ANGLES: DECIMAL: .XX=± .xxx=±			902-204-2	B	

Exploded Drawing
120V Relay
Enclosure -
Freezers

902-204-2-B Rev. 1
Page 2 of 2

LOW STAGE
USE THIS SIDE FOR
-40C CONFIGURATIONS



NOTES:

1. SEE PSS 8602-723-012 FOR ASSEMBLY WIRING AND OTHER DETAILS.
2. AFTER ATTACHING NOMEX COVER (250138) WITH SCREWS (590020), STICK ESD LABELS (220555) TO OUTSIDE OF COVER.
3. IDENTIFY EACH ASSEMBLY WITH LABELS ON THE BOTTOM AND BACK THAT INCLUDE THE FOLLOWING:
 FIRST LINE - ASSEMBLY NUMBER AND REVISION
 SECOND LINE - BAR CODE OF ASSEMBLY AND REVISION
 THIRD LINE - UNIQUE SERIAL NUMBER INCLUDING DATE OF MANUFACTURE IN THE FOLLOWING FORMAT AND ORDER: THREE LETTER MANUFACTURING SITE, TWO DIGIT YEAR MANUFACTURED, TWO DIGIT WEEK MANUFACTURED FOLLOWED BY A UNIQUE FOUR DIGIT NUMBER.
 FOURTH LINE - BAR CODE OF UNIQUE SERIAL NUMBER.
 FIFTH LINE - ASSEMBLY DESCRIPTION IN THE FOLLOWING FORMAT: CHEST, TEMPERATURE, VOLTAGE AND FREQUENCY.

120230-01-1-B Rev. 8
Page 1 of 2

Chest Freezer Start Component
Enclosure Assembly

Section 8
Spare Parts

CHEST FREEZER START COMPONENT BRACKET ASSEMBLIES									
ITEM NO.	DESCRIPTION	1915230 -86C 230V 50 Hz	1916230-86C 208/230V 60Hz	1916120 -86C 120V 60 Hz	1985230 -40C 230V 50 Hz	1986230 -40C 208/230V 60 Hz	1986120 -40C 120V 60 Hz	1987120 -40C 3CFT 120V 60 Hz	1917120 -86C 3CFT 120V 60 Hz
1	COMPONENT BRACKET	120230	120230	120230	120230	120230	120230	120230	120230
2	#8 SS PHP SCREW	22051 (4)	22051 (4)	22049 (4)	22051 (2)	22051 (2)	22049 (2)	22049 (2)	22049 (4)
3	8-32 X 3/8 SCREW	590020 (2)	590020 (2)	590020 (2)	590020 (2)	590020 (2)	590020 (2)	590020 (2)	590020 (2)
4	NOMEX INSULATOR	270172 (2)	270172 (2)	270172 (2)	270172 (1)	270172 (1)	270172 (1)	270172 (1)	270172 (2)
5	START RELAY	312288 (2)	312188 (2)	312088 (2)	312288 (1)	312188 (1)	312088 (1)	300460 (1)	300460 (2)
6	START CAPACITOR	170154 (2)	170154 (2)	170154 (2)	170154 (1)	170154 (1)	170154 (1)	170273 (1)	170273 (2)
7	#8 SPEED NUT, S.S.	327675 (4)	327675 (4)	327675 (4)	327675 (2)	327675 (2)	327675 (2)	327675 (2)	327675 (4)
8	HOLD DOWN BRACKET	111047	111047	111047	111047	111047	111047	111047	N / R
9	2.5" VINYL COATED STRAP	600106 (2)	600106 (2)	600106 (2)	600106 (1)	600106 (1)	600106 (1)	600106 (1)	600106 (2)
10	RUN CAPACITOR	170097 (2)	170226 (2)	170224 (2)	170097 (1)	170226 (1)	170224 (1)	170272 (1)	170272 (2)
11	1.75" VINYL COATED STRAP	600107 (2)	600107 (2)	600107 (2)	600107 (1)	600107 (1)	600107 (1)	600107 (1)	600107 (2)
12	NEOPRENE TAPE 1/8" X 1" X 2"	28003 (4)	28003 (4)	28003 (4)	28003 (2)	28003 (2)	28003 (2)	28003 (2)	28003 (4)
13	EDGE GUARD (CUT TO LENGTH)	114012	114012	114012	114012	114012	114012	114012	114012
14	#8 X 1/2 PHP TYPE AB	24021 (6)	24021 (6)	24021 (6)	24021 (4)	24021 (4)	24021 (4)	24021 (6)	24021 (3)
NOT SHOWN *	15 ULT MAIN HARNESS (REFERENCE ONLY)	350082	350082	350082	350109	350109	350109	350228	350229
NOT SHOWN	16 ENCLOSURE LOW STAGE HARNESS	350108	350108	350108	350108	350108	350108	350108	350108
NOT SHOWN	17 ENCLOSURE HIGH STAGE HARNESS	350107	350107	350107	N/A	N/A	N/A	N/A	350107
NOT SHOWN	18 NOMEX COVER	250138	250138	250138	250138	250138	250138	250138	250138
NOT SHOWN	19 ESD CAUTION LABEL	220555 (2)	220555 (2)	220555 (2)	220555 (2)	220555 (2)	220555 (2)	220555 (2)	220555 (2)
NOT SHOWN, SEE NOTE 3	20 IDENTIFICATION LABEL	723050	723060	712060	123050	123060	112060	225015	225016

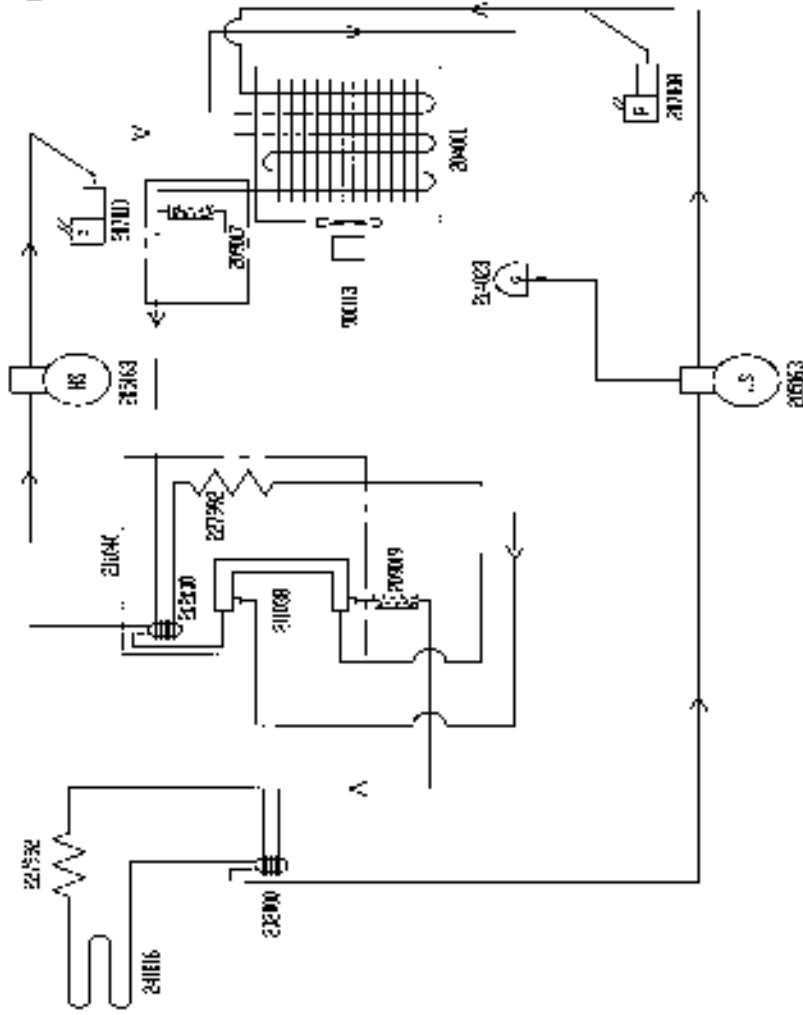
* THE ULT MAIN HARNESS IS LISTED FOR INFORMATION ONLY. IT IS NOT PART OF THIS ASSEMBLY.

120230-01-1-B Rev. 8
Page 2 of 2

Chest Freezer Start Component
Enclosure Assembly

CASCADE REFRIGERATION

HIGH TEMP. STAGE



LOW TEMP. STAGE

HIGH TEMP. STAGE REFRIGERANT R-404A 30.0 LB. ± 0.4 LB. (13.6 kg)
 HEAT TEMPERATURE SENSE COIL: PHEID. COIL HEATING REEF. FILLS UP COIL
 CAP. T. 860 IN. T. L. 17. CF. 0.62 IN. ID
 RE 4000X. 56 FT. 0.4 MCM. LINES

LOW TEMP. STAGE REFRIGERANT R-502 12.0 LB. ± 0.1 LB. (5.4 kg)
 R-502 50.0 LB. (22.7 kg) ± 1.0 LB. (0.45 kg)
 RE 27.0 IN. ID. 100X ± 0.5 IN.

LOW TEMPERATURE STAGE COIL: PHEID. COIL HEATING REEF. FILLS UP ENTER. EL
 UT. SEPARATION IS IN. 0.64 IN.
 CAP. T. 860 IN. T. L. 17. CF. 0.62 IN. ID
 RE 4000X. 56 FT. 0.4 MCM. LINES

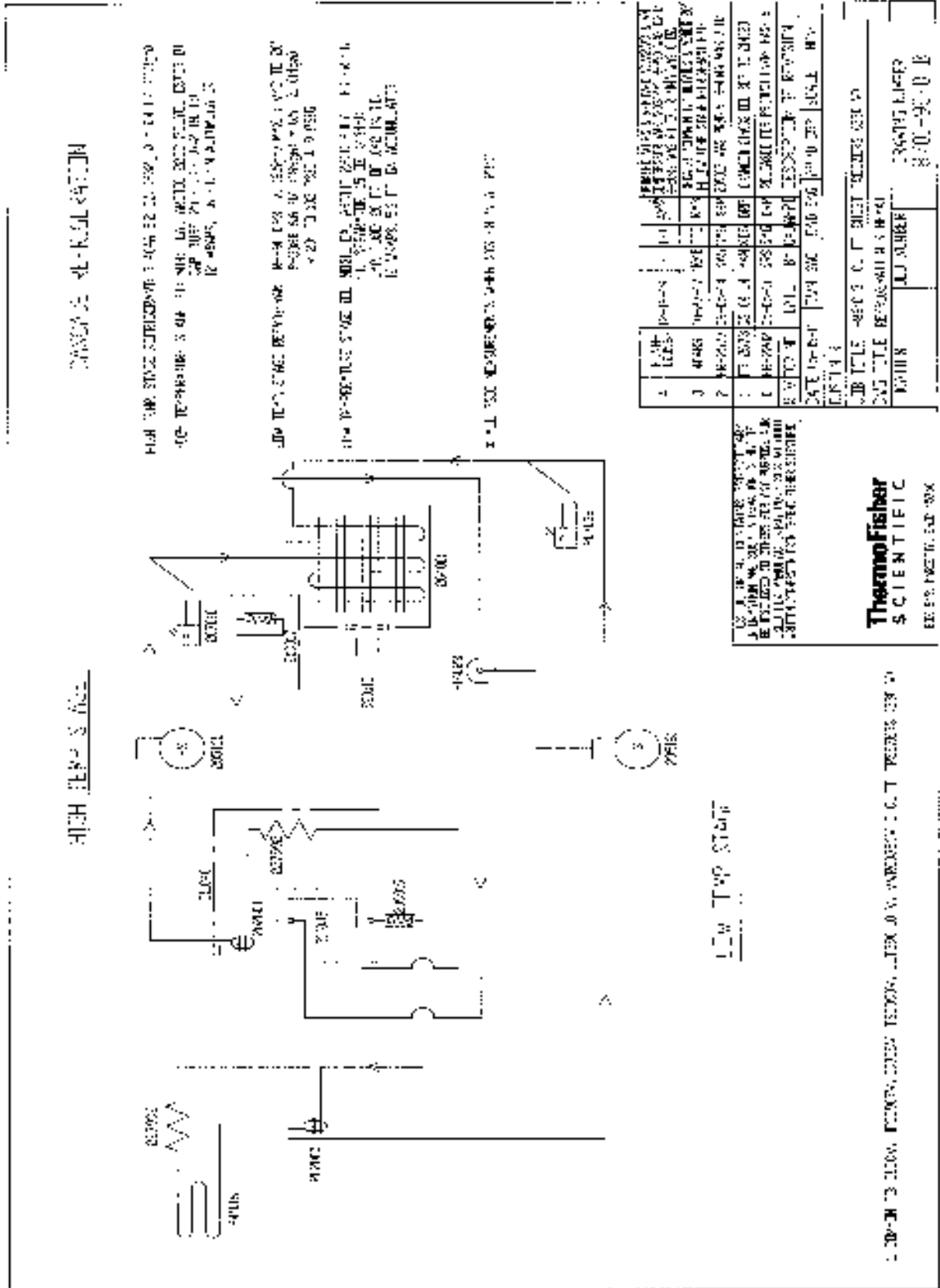
* ALL PSIG MEASUREMENTS WHEN SYSTEM IS AT 23°F

REV.	DATE	BY	DESCRIPTION OF REVISION
1	11-29-19	IT1	FIXED SIZE & RANGES 1/2" DIA. & 1/4"
2	11-29-19	IT1	UPGRADE TUBING UP & SILL
3	11-27-17	W18	3" ADD. & PSIG IN. OF TWP.
4	11-27-17	W18	3" RE-DESIGNING LINE
5	11-27-17	W18	ADD. MORE CONDENSER
6	11-27-17	W18	COND. WAS 2000X. R-404A WAS T. L.
7	11-27-17	W18	3" ADD. TUBING CL. SEP. TO SHED
8	11-27-17	W18	3" ADD. TUBING CL. SEP. TO SHED
9	11-27-17	W18	3" ADD. TUBING CL. SEP. TO SHED
10	11-27-17	W18	3" ADD. TUBING CL. SEP. TO SHED
11	11-27-17	W18	3" ADD. TUBING CL. SEP. TO SHED
12	11-27-17	W18	3" ADD. TUBING CL. SEP. TO SHED
13	11-27-17	W18	3" ADD. TUBING CL. SEP. TO SHED
14	11-27-17	W18	3" ADD. TUBING CL. SEP. TO SHED
15	11-27-17	W18	3" ADD. TUBING CL. SEP. TO SHED
16	11-27-17	W18	3" ADD. TUBING CL. SEP. TO SHED
17	11-27-17	W18	3" ADD. TUBING CL. SEP. TO SHED
18	11-27-17	W18	3" ADD. TUBING CL. SEP. TO SHED
19	11-27-17	W18	3" ADD. TUBING CL. SEP. TO SHED
20	11-27-17	W18	3" ADD. TUBING CL. SEP. TO SHED

THIS DOCUMENT CONTAINS PROPRIETARY INFORMATION AND SUCH INFORMATION IS NOT TO BE DISCLOSED TO OTHERS EXCEPT AS MAY BE NECESSARY FOR THE PROTECTION OF THE RIGHTS OF THERMO SCIENTIFIC IN CONNECTION WITH THE INVESTIGATION.



1. COMP. TO: 8600A, CAPACUS86A, HFC590A, INCHES, 150350A, UL1370-10-A
 VARIATOR 3 TUFF FREEZER (23 °F)
 RE 4000X. 56 FT. 0.4 MCM. LINES



CASCADE REFRIGERATION

HIGH TEMPERATURE STAGE REFRIGERANT:

- 12.7 CUFT UNITS: R-404A 24 OZ. (680gr) ±1/2 OZ (14gr)
- 17 CUFT UNITS: R-404A 24 OZ. (680gr) ±1/2 OZ (14gr)
- 20 CUFT UNITS: R-404A 24 OZ. (680gr) ±1/2 OZ (14gr)

HIGH TEMPERATURE STAGE OIL-MOBILE EAL ARCTIC 22CC POLYOL ESTER OIL COMPRESSOR, 40 OZ. (1183m)

LOW TEMPERATURE STAGE REFRIGERANT:

- 12.7 CUFT UNITS: R-290 0.5 OZ. (14gr) MAX, ; VAC TO 20"
- R-508B 15.0 OZ (425gr) ± 1/4 OZ(7gr) OR 20" TO 143 PSIG ± 3 PSIG

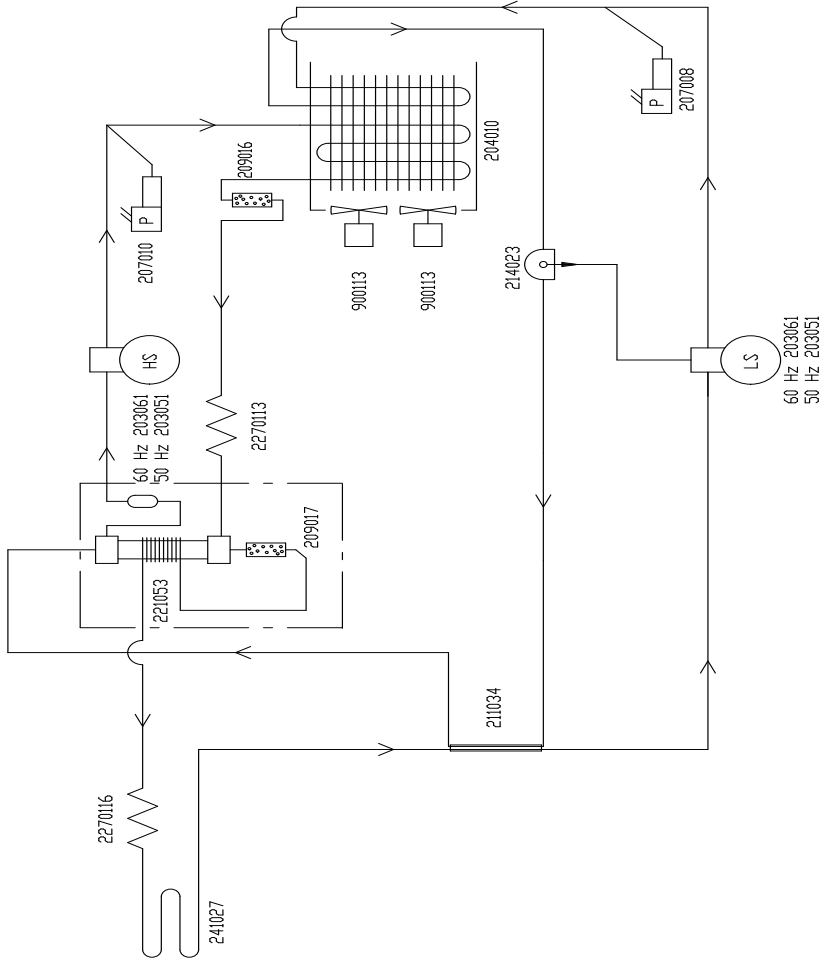
- 17 CUFT UNITS: R-290 0.5 OZ. (14gr) MAX, ; VAC TO 20"
- R-508B 15.5 OZ (439gr) ± 1/4 OZ(7gr) OR 20" TO 144 PSIG ± 3 PSIG

- 20 CUFT UNITS: R-290 1 OZ. (28gr) MAX, ; VAC TO 3 PSIG
- R-508B 16.0 OZ (454gr) ± 1/4 OZ(7gr) OR 3 PSIG TO 149 PSIG ± 3 PSIG

LOW TEMPERATURE STAGE DILZEROL 150T WITH 2% ADDITIVE COMPRESSOR: 40 OZ(1183m) OIL SEPARATOR: 15 OZ. (444m)

* ALL PSIG MEASUREMENTS WHEN SYSTEM IS AT 23°C

HIGH TEMP STAGE



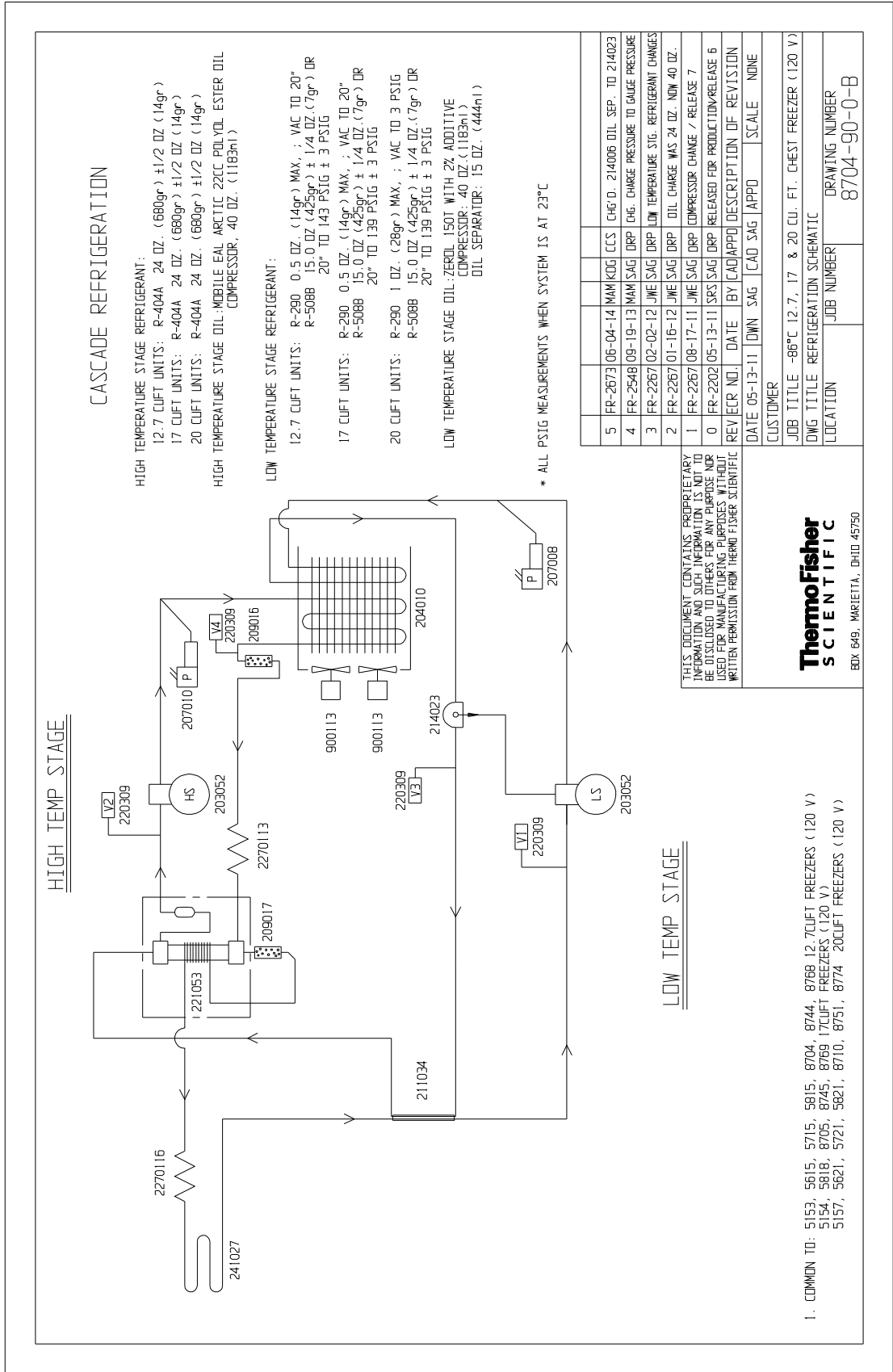
THIS DOCUMENT CONTAINS PROPRIETARY INFORMATION AND SUCH INFORMATION IS NOT TO BE DISCLOSED TO OTHERS FOR ANY PURPOSE NOR USED FOR MANUFACTURING PURPOSES WITHOUT WRITTEN PERMISSION FROM THERMO FISHER SCIENTIFIC

- COMMON TO: 813CD, HFC1390TD, 1913CD, TSC1390D, ULT1390-10-D, VMRC1386D, 813CV, HFC1390TV, 1913CV, TSC1390V, ULT1390-10-V, VMRC1386V, 813CGPD, TSC1390GPD, ULT1390-10-GPD, 12.7CUFT FREEZERS (230 V) 817CD, HFC1790TD, 1917CD, TSC1790D, ULT1790-10-D, 817CV, HFC1790TV, 1917CV, TSC1790V, ULT1790-10-V, 817CGPD, TSC1790GPD, ULT1790-10-GPD 17CUFT FREEZER (230 V) 820CD, HFC2090TD, 1920CD, TSC2090D, ULT2090-10-D, VMRC2086D, 820CV, HFC2090TV, 1920CV, TSC2090V, ULT2090-10-V, VMRC2086V, 820CGPD, TSC2090GPD, ULT2090-10-GPD 20CUFT FREEZERS (230 V)

ThermoFisher
SCIENTIFIC

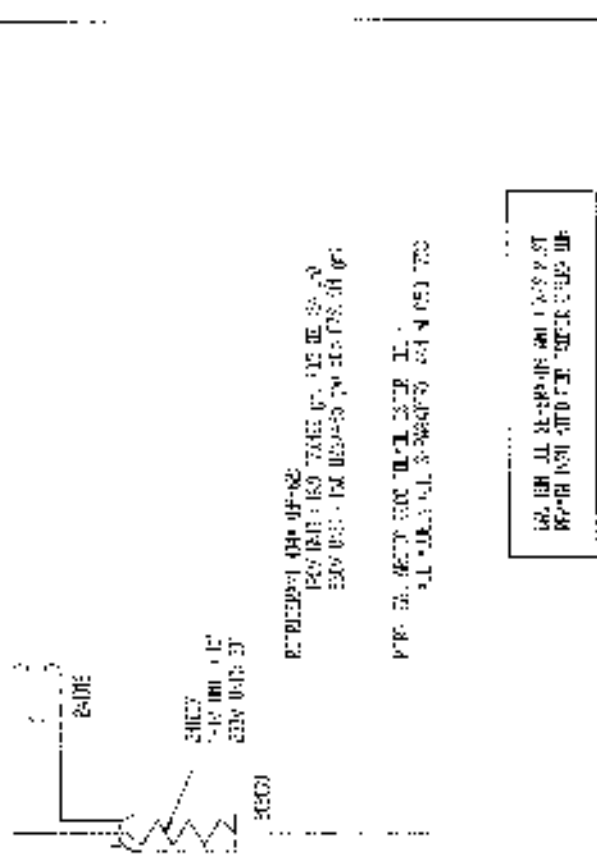
BOX 649, MARIETTA, OHIO 45750

ECMN-	09-25-19	TFI	TFI	KMB	REMOVED 20009 & COMPRESSOR 203061 WAS 203051
8	100556				
	12-13-17	KMB	TFI	KMB	ADDED GPD MODELS IN 'COMMON TO' DETAILS
7	41795				
	10-27-17	KMB	TFI	KMB	3 PSIG WAS 20" & UPDATED COMMON TO DETAILS
6	40483				
	10-04-14	MAN	KDG	DRP	CHG'D. 214006 OIL SEP. TO 214023
5	FR-2673				
	09-19-13	MAN	SAG	DRP	CHG. CHARGE PRESSURE TO GAUGE PRESSURE
4	FR-2548				
	02-02-12	JMES	SAG	DRP	LOW TEMPERATURE STG. REFRIGERANT CHANGES
3	FR-2267				
	01-16-12	JMES	SAG	DRP	OIL CHARGE FROM 24 OZ. TO 40 OZ.
2	FR-2267				
	08-17-11	JMES	SAG	DRP	COMPRESSOR CHANGE / RELEASE 7
1	FR-2267				
	DATE	BY	CAD	APPD	DESCRIPTION OF REVISION
REV	NO.				
DATE	05-13-11	DWN	SAG	CAD	SAG
APPD	DRP	SCALE	NONE		
CUSTOMER					
JOB NUMBER					
JOB TITLE	-86°C 12.7, 17 & 20 CU. FT. CHEST FREEZER (230 V)				
DWG TITLE	REFRIGERATION SCHEMATIC				
LOCATION		JOB NUMBER		DRAWING NUMBER	
					8702-90-0-B



12000 BTU 120V 1PH

1. CONDENSER	CONDENSER
2. COMPRESSOR	COMPRESSOR
3. EVAPORATOR	EVAPORATOR
4. CAPILLARY TUBE	CAPILLARY TUBE
5. OIL	OIL
6. DRIER	DRIER
7. SAFETY SWITCH	SAFETY SWITCH
8. STARTER	STARTER
9. PROTECTIVE DEVICE	PROTECTIVE DEVICE
10. THERMOSTAT	THERMOSTAT



REFRIGERATION UNIT
 120V 1PH 60 HZ 200 W
 200 W - 120V 1PH 60 HZ
 ALL DIMENSIONS ARE IN INCHES

120V 1PH 60 HZ 200 W
 200 W - 120V 1PH 60 HZ

THERMO FISHER SCIENTIFIC			
CONDENSER		CONDENSER	CONDENSER
COMPRESSOR		COMPRESSOR	COMPRESSOR
EVAPORATOR		EVAPORATOR	EVAPORATOR
CAPILLARY TUBE		CAPILLARY TUBE	CAPILLARY TUBE
OIL		OIL	OIL
DRIER		DRIER	DRIER
SAFETY SWITCH		SAFETY SWITCH	SAFETY SWITCH
STARTER		STARTER	STARTER
PROTECTIVE DEVICE		PROTECTIVE DEVICE	PROTECTIVE DEVICE
THERMOSTAT		THERMOSTAT	THERMOSTAT

CONDENSER
 COMPRESSOR
 EVAPORATOR
 CAPILLARY TUBE
 OIL
 DRIER
 SAFETY SWITCH
 STARTER
 PROTECTIVE DEVICE
 THERMOSTAT

DRAWING NUMBER: 195967-90-1-B

REV	ECN NO.	DATE	BY	CAD APPD	DESCRIPTION OF REVISION	
12	FR-2573	06-04-14	MM	SAG	DRP	CHANGE 214006 OIL SEP. TO 214023
13	FR-2762	06-13-17	TJC	SAG	DRP	REG. VALVE WAS P/N 992900, 170 PSIG
14	40483	10-27-17	KMB	FTI	KMB	NOTE CHANGE - 3 PSIG WAS 20" IN 20 CUFT UNITS & 120 & 230 VOLTS.
15	ECM-000556	09-26-19	FTI	FTI	KMB	REMOVED 203009 SVL, V2, V3 & COMPRESSOR 203061 WAS 203050

CASCADE REFRIGERATION

HIGH TEMPERATURE STAGE REFRIGERANT:

- 12.7 CUFT UNITS: R-404A 18 OZ. (510gr) ±1/2 OZ. (14gr)
- 17 CUFT UNITS: R-404A 18 OZ. (510gr) ±1/2 OZ. (14gr)
- 20 CUFT UNITS: R-404A 18 OZ. (510gr) ±1/2 OZ. (14gr)

HIGH TEMPERATURE STAGE OIL: MOBILE EAL ARCTIC 22CC POLYOL ESTER OIL
COMPRESSOR: 40 OZ. (1183 ml)

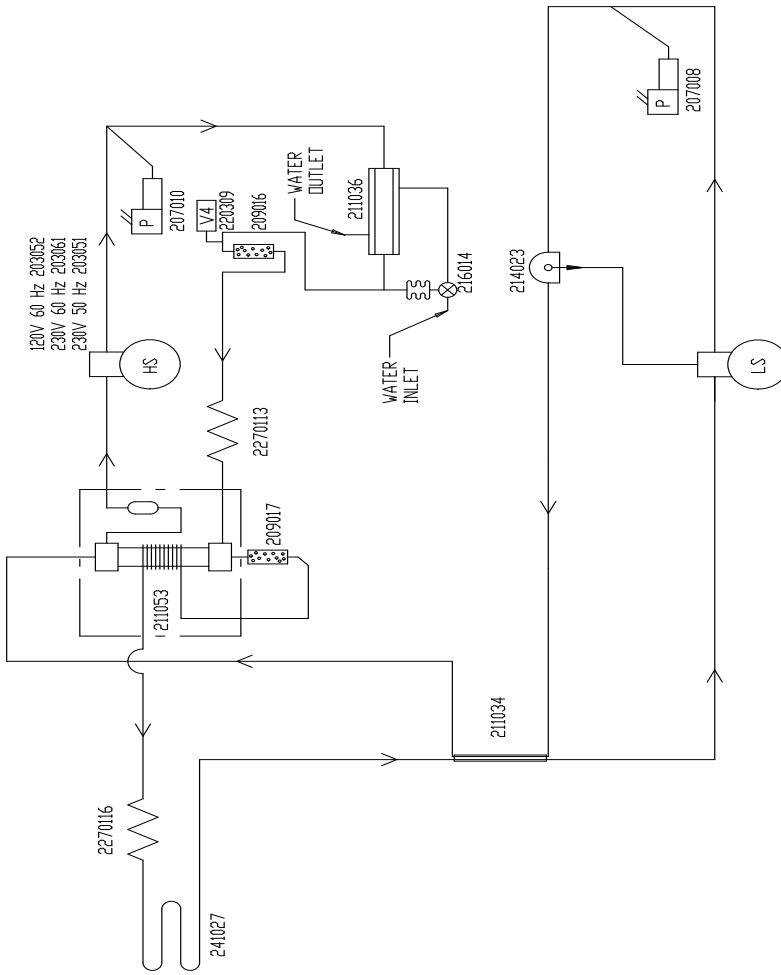
LOW TEMPERATURE STAGE REFRIGERANT:

- 12.7 CUFT UNITS: R-290 0.5 OZ. (14gr) MAX, ; VAC TO 20" (ALL VOLTAGES) R-5088 15.0 OZ. (425gr) ± 1/4 OZ. (7gr) DR 20" TO 143 PSIG ± 3 PSIG
- 17 CUFT UNITS: R-290 0.5 OZ. (14gr) MAX, ; VAC TO 20" (120 VOLTS) R-5088 15.0 OZ. (425gr) ± 1/4 OZ. (7gr) DR 20" TO 139 PSIG ± 3 PSIG
- 17 CUFT UNITS: R-290 0.5 OZ. (14gr) MAX, ; VAC TO 20" (230 VOLTS) R-5088 15.5 OZ. (439gr) ± 1/4 OZ. (7gr) DR 20" TO 144 PSIG ± 3 PSIG
- 20 CUFT UNITS: R-290 1.0 OZ. (28gr) MAX, ; VAC TO 3 PSIG (120 VOLTS) R-5088 15.0 OZ. (425gr) ± 1/4 OZ. (7gr) DR 3 PSIG TO 139 PSIG ± 3 PSIG
- 20 CUFT UNITS: R-290 1.0 OZ. (28gr) MAX, ; VAC TO 3 PSIG (230 VOLTS) R-5088 16.0 OZ. (454gr) ± 1/4 OZ. (7gr) DR 3 PSIG TO 149 PSIG ± 3 PSIG

LOW TEMPERATURE STAGE OIL: ZEROL 150T WITH 2% ADDITIVE
COMPRESSOR: 40 OZ. (1183 ml)
OIL SEPARATOR: 15 OZ. (444ml)

- ***SET WATER REGULATING VALVE FOR 183 PSIG
- * ALL PSIG MEASUREMENTS WHEN SYSTEM IS AT 23°C

HIGH TEMP STAGE



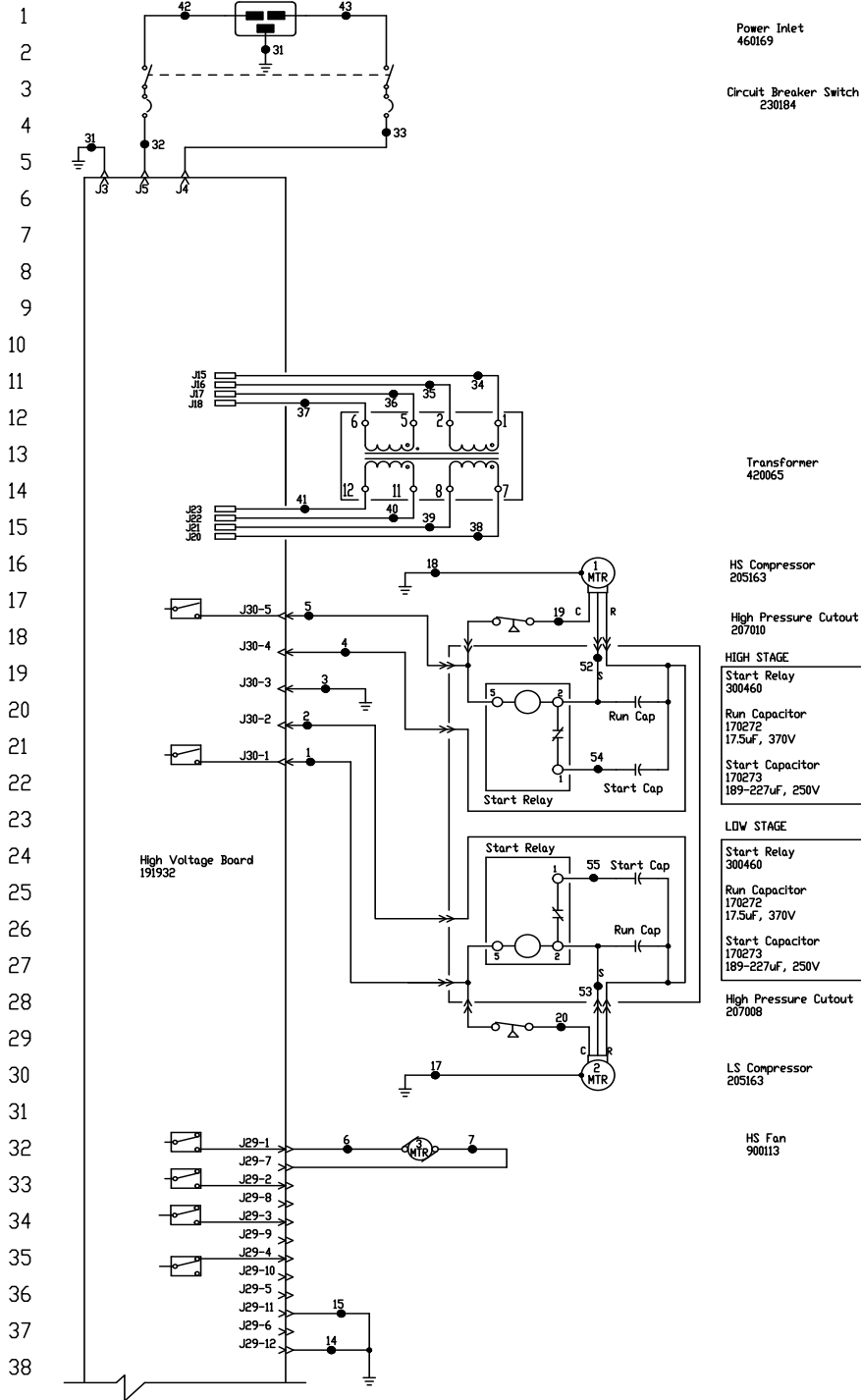
LOW TEMP STAGE

THIS DOCUMENT CONTAINS PROPRIETARY INFORMATION AND SUCH INFORMATION IS NOT TO BE DISCLOSED TO OTHERS FOR ANY PURPOSE NOR USED FOR MANUFACTURING PURPOSES WITHOUT WRITTEN PERMISSION FROM THERMO FISHER SCIENTIFIC		MODEL/PART NAME: -86°C 12.7, 17 & 20 CU. FT. CHEST HBD COOLED
		DWG TITLE: FREEZER REFRIGERATION SCHEMATIC
DWN: DMG	CAD: DMG	APPD: MAH
DATE: 01-24-03	SCALE: N/DIE	
MATERIAL: N/A		
PAINT COLOR: N/A		
TOLERANCE UNLESS OTHERWISE SPECIFIED ANGLES: .XX± DECIMAL: .XX±		DRAWING NUMBER 195967-90-1
DRAWING NUMBER 195967-90-1		SIZE B

ThermoFisher
SCIENTIFIC

BOX 649, WARETTA, OHIO 45750

POWER CONNECTION
 120V, 1Ø, 2W, 60HZ, 11.5 FLA
 (OPERATING RANGE 108-132V)



Power Inlet
 460169
 Circuit Breaker Switch
 230184

Transformer
 420065

HS Compressor
 205163
 High Pressure Cutout
 207010
HIGH STAGE
 Start Relay
 300460
 Run Capacitor
 170272
 17.5µF, 370V
 Start Capacitor
 170273
 189-227µF, 250V

LDV STAGE
 Start Relay
 300460
 Run Capacitor
 170272
 17.5µF, 370V
 Start Capacitor
 170273
 189-227µF, 250V
 High Pressure Cutout
 207008

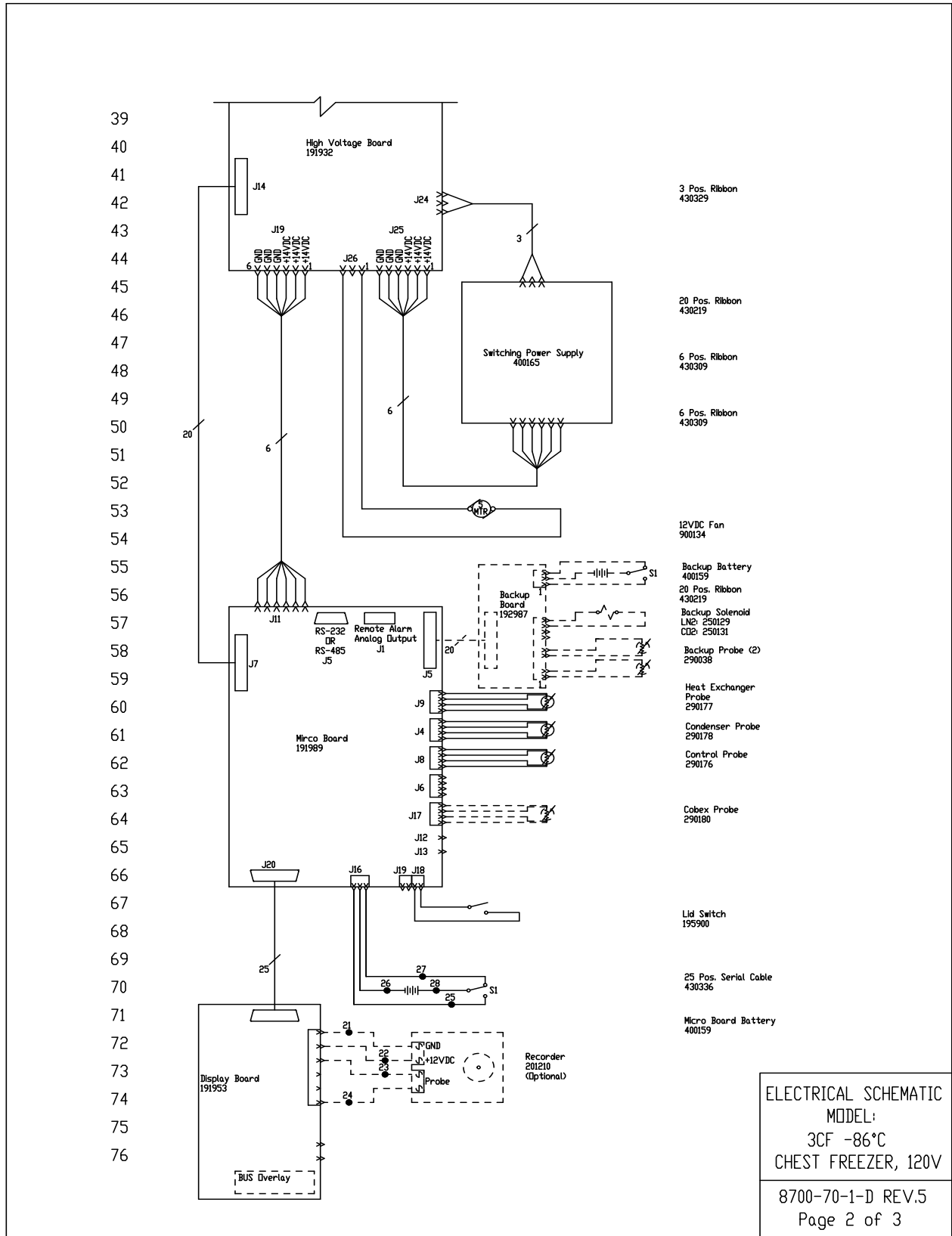
LS Compressor
 205163

HS Fan
 900113

ELECTRICAL SCHEMATIC
 MODEL:
 3CF -86°C
 CHEST FREEZER, 120V

8700-70-1-D REV.5
 Page 1 of 3

Section 10
Electrical Schematics



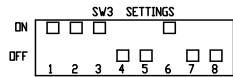
77
78
79
80
81
82
83
84
85
86
87
88

WIRE #	COLOR	GAUGE	WIRE #	COLOR	GAUGE
1	BLK	14	25	WHT	18
2	RED	14	26	BLK	18
3	GRN/YEL	14	27	BLK	18
4	RED	14	28	RED	18
5	BLK	14	29		
6	BLK	18	30		
7	BLK	18	31	GRN/YEL	14
8			32	BLK	14
9			33	BLU	14
10			34	BLK	14
11			35	BLU	14
12			36	BLK	14
13			37	BLU	14
14	GRN/YEL	18	38	BLK	14
15	GRN/YEL	18	39	BLU	14
16			40	BLK	14
17	GRN/YEL	14	41	BLU	14
18	GRN/YEL	14	42	BLK	14
19	BLK	14	43	BLU	14
20	BLK	14			
21	BLK	18			
22	RED	18			
23	BLK	18			
24	RED	18			

89
90
91

MODELS:
3 CU.FT. CHEST MODELS (120V) - 803CA, CARC0386A, HFC390TA, 1903CA, TSC390A, ULT390-10-A, VVRC0386A

92
93
94
95
96



97
98

REMOTE CONTACTS/ANALOG OUTPUT
PIN# 1 Analog Output +
PIN# 2 Analog Output -
PIN# 3 Not Connected
PIN# 4 Not Connected
PIN# 5 Normally Closed
PIN# 6 Common
PIN# 7 Normally Open

CONTACT RATING: 1A @ 30V
CONTACTS IN ALARM STATE

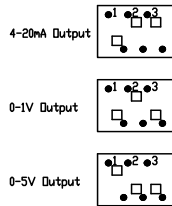
RS-232 SPECIFICATION

BAUD = 1200
PARITY = N
BITS = 8
STOP BITS = 2

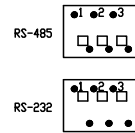
RS-232 PORT
PIN# 2 TXD
PIN# 3 RXD
PIN# 5 GND

99
100
101
102

SW1 Settings for Analog Output



SW2 Settings for Communication Output



- Lid switch shown in open position.
- Battery switch shown in the OFF position.
- Circuit breaker switch shown in OFF position.
- Options and accessories shown in dashed lines.

103
104
105
106
107

REV	DATE	BY	APPD	DESCRIPTION OF REVISION
5	10-23-19	TF1	TF1	(START CAP, RUN CAP UPDATED FOR COMPRESSOR) COMPRESSOR WAS 203006 & SV3 SETTING CORRECTED
4	4/7/95	12-13-17	KWB	WIRE NO. UPDT. NEAR JCP-11 & 12, DISPLAY BOARD TEXT UPDT.
3	FR-3006	08-14-17	KB	UPDATED "MODELS" DETAILS
2	FR-2861	04-07-16	KB	191987 BACKUP BOARD TO 192987
1	FR-2386	08-29-12	AJC	ADDED MODEL CARC0386A
0	FR-2202	05/03/11	SRS	REVISED OPERATING RANGE FROM 103-127V
				RELEASED FOR PRODUCTION / RELEASE 6

ELECTRICAL SCHEMATIC
MODEL:
3CF -86°C
CHEST FREEZER, 120V



ATTENTION
OBSERVE PRECAUTIONS
ELECTROSTATIC
SENSITIVE DEVICES

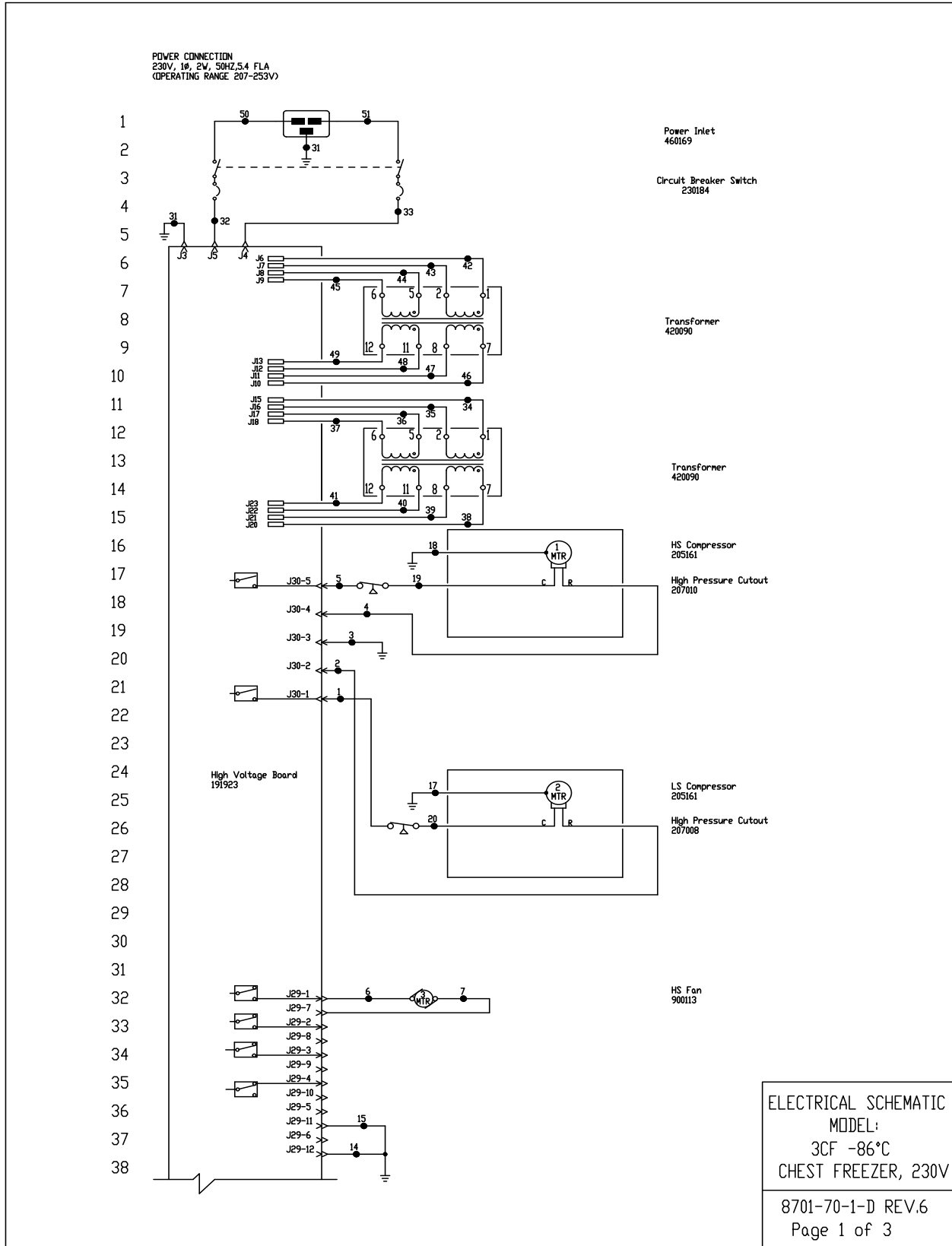
THIS DOCUMENT CONTAINS PROPRIETARY INFORMATION AND SUCH INFORMATION IS NOT TO BE DISCLOSED TO OTHERS FOR ANY PURPOSE NOR USED FOR MANUFACTURING PURPOSES WITHOUT WRITTEN PERMISSION FROM THERMO FISHER SCIENTIFIC

**ThermoFisher
SCIENTIFIC**
BOX 649, MARIETTA, OHIO 45750

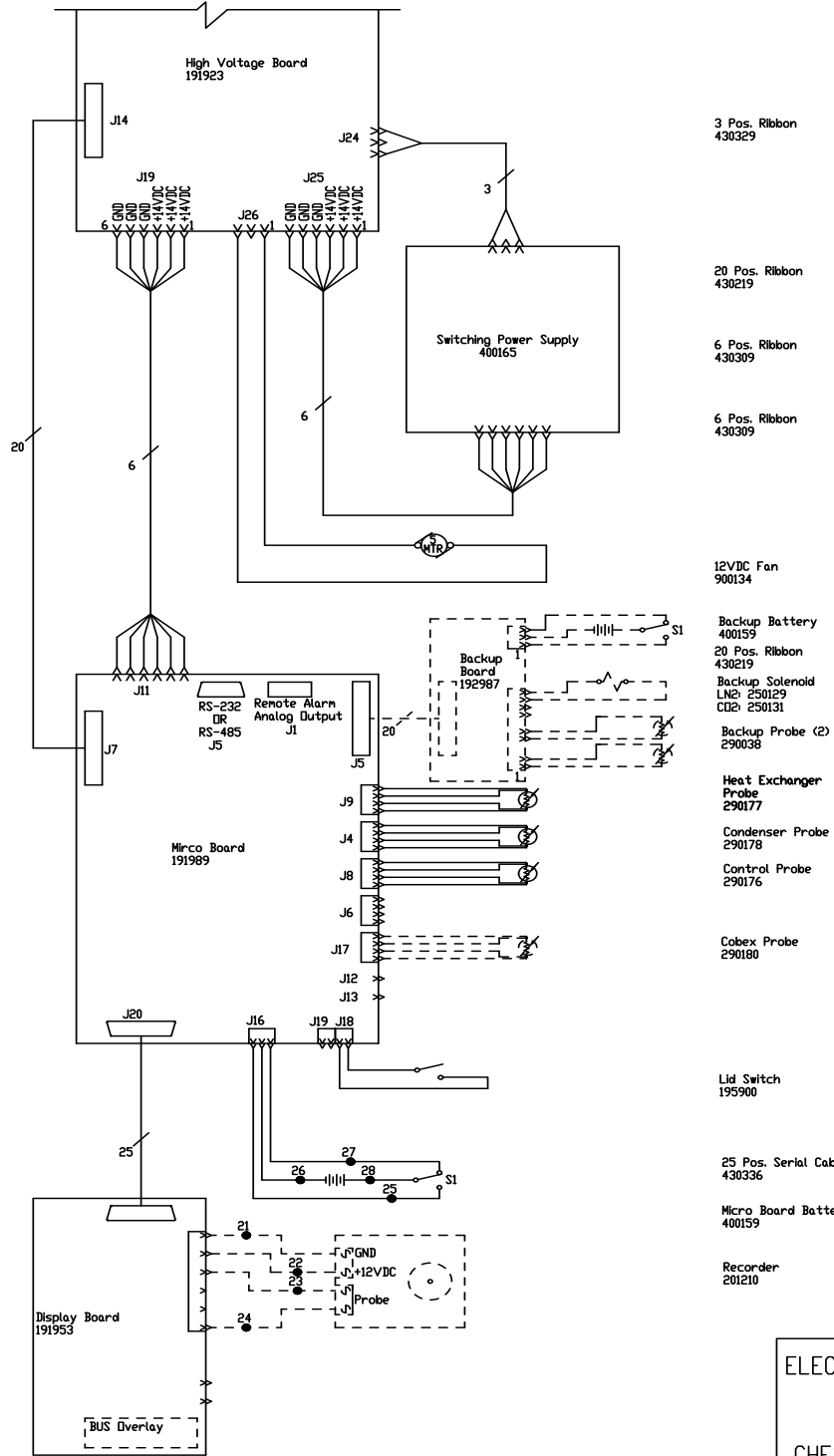
MODEL/PART NAME: 5600 SERIES, 120V, ULT FREEZERS
DWG TITLE: UNIT SCHEMATIC
DWG# HCE CAD: KDG APPD: LDN DATE: 10-10-10 SCALE: NONE
MATERIAL:
PAINTE COLOR:
TOLERANCE UNLESS OTHERWISE SPECIFIED: .XXX#
ANGLES: DECIMAL: .XXX#
DRAWING NUMBER: 8700-70-1
SIZE: D

8700-70-1-D REV.5
Page 3 of 3

Section 10
Electrical Schematics



39
40
41
42
43
44
45
46
47
48
49
50
51
52
53
54
55
56
57
58
59
60
61
62
63
64
65
66
67
68
69
70
71
72
73
74
75
76

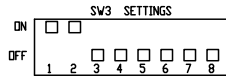


ELECTRICAL SCHEMATIC
MODEL:
3CF -86°C
CHEST FREEZER, 230V
8701-70-1-D REV.6
Page 2 of 3

77
78
79
80
81
82
83
84
85
86
87
88
89
90
91
92
93
94
95
96
97
98
99
100
101
102
103
104
105
106
107

WIRE #	COLOR	GAUGE	WIRE #	COLOR	GAUGE
1	BLK	14	25	WHT	18
2	RED	14	26	BLK	18
3	GRN/YEL	14	27	BLK	18
4	RED	14	28	RED	18
5	BLK	14	29		
6	BLK	18	30		
7	BLK	18	31	GRN/YEL	14
8			32	BLK	14
9			33	BLU	14
10			34	BLK	14
11			35	BLU	14
12			36	BLK	14
13			37	BLU	14
14	GRN/YEL	18	38	BLK	14
15	GRN/YEL	18	39	BLU	14
16			40	BLK	14
17	GRN/YEL	14	41	BLU	14
18	GRN/YEL	14	42	BLK	14
19	BLK	14	43	BLU	14
20	BLK	14	44	BLK	14
21	BLK	18	45	BLU	14
22	RED	18	46	BLK	14
23	BLK	18	47	BLU	14
24	RED	18	48	BLK	14
			49	BLU	14
			50	BLK	14
			51	BLU	14

MODELS:
3 CUFT. CHEST MODELS (230V) - 803CV, HFC390TV, 1903CV, TSC390V, ULT390-10-V, VVRC0386V



PIN#	CONTACTS/ANALOG OUTPUT
1	Analog Output +
2	Analog Output -
3	Not Connected
4	Not Connected
5	Normally Closed
6	Common
7	Normally Open

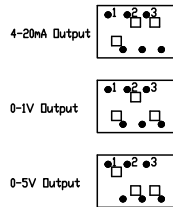
CONTACT RATING: 1A @ 30V
CONTACTS IN ALARM STATE

RS-232 SPECIFICATION

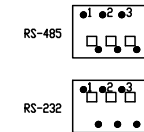
BAUD = 1200
PARITY = N
BITS = 8
STOP BITS = 2

PIN#	RS-232 PORT
2	TXD
3	RXD
5	GND

SW1 Settings for Analog Output



SW2 Settings for Communication Output



- Lid switch shown in open position.
- Battery switch shown in the OFF position.
- Circuit breaker switch shown in OFF position.
- Options and accessories shown in dashed lines.

REV	ECN NO.	DATE	BY	CAD	APPD	DESCRIPTION OF REVISION
6	EDM-000587	10-23-19	TFI	TFI	KHB	COMPRESSOR WAS '20302?', WIRE NO. UPDT. NEAR J29-11 & 12, DISPLAY BOARD TEXT UPDT.
5	41795	12-13-17	KHB	TFI	KHB	UPDATED 'MODELS' DETAILS
4	FR-3006	08-14-17	KB	KDG	KHB	191987 BACKUP BOARD TO 192987
3	FR-2843	04-05-16	KB	SAG	JRP	230184 WAS 230178
2	FR-2753	12-17-14	MV	KDG	JRP	ADDED MODEL 5609
1	FR-2386	08-29-12	AJC	KDG	JRP	REVISED OPERATING RANGE FROM 207-250V
0	FR-2202	05/19/11	SRS	SAG	JRP	RELEASED FOR PRODUCTION / RELEASE 6

ELECTRICAL SCHEMATIC
MODEL:
3CF -86°C
CHEST FREEZER, 230V



ATTENTION
OBSERVE PRECAUTIONS
ELECTROSTATIC
SENSITIVE DEVICES

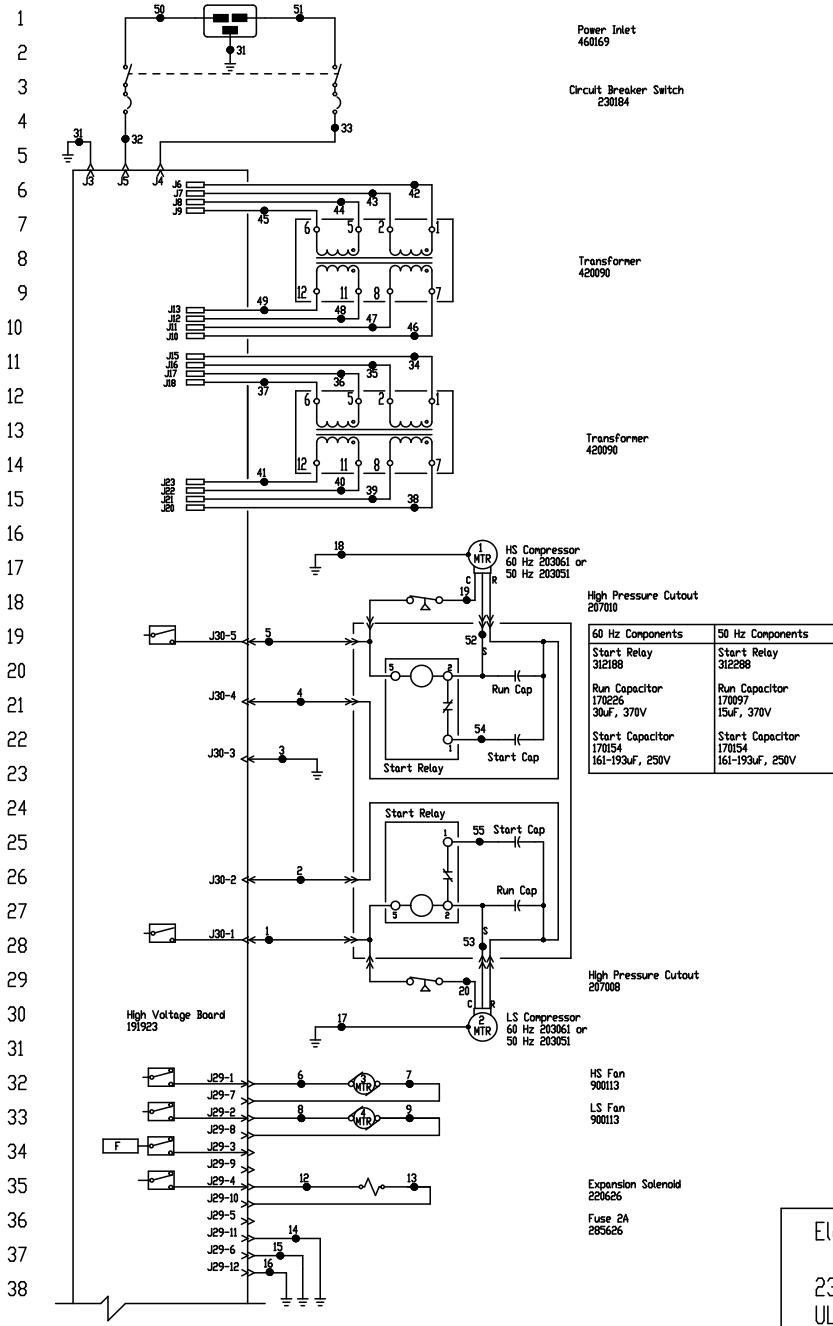
THIS DOCUMENT CONTAINS PROPRIETARY INFORMATION AND SUCH INFORMATION IS NOT TO BE DISCLOSED TO OTHERS FOR ANY PURPOSE NOR USED FOR MANUFACTURING PURPOSES WITHOUT WRITTEN PERMISSION FROM THERMO FISHER SCIENTIFIC.

Thermo Fisher Scientific
BOX 649, MARIETTA, OHIO 45750

MODEL/PART NAME: 5600 SERIES, 230V, ULT FREEZERS	DATE: 05-19-11	SCALE: NONE
DWG TITLE: UNIT SCHEMATIC	DATE: 05-19-11	SCALE: NONE
MATERIAL:	DRAWING NUMBER: 8701-70-1	SIZE: D
PAINTE COLOR:	ANGLES: DECIMAL .XX±	TOLERANCE UNLESS OTHERWISE SPECIFIED: .XXX±

8701-70-1-D REV.6
Page 3 of 3

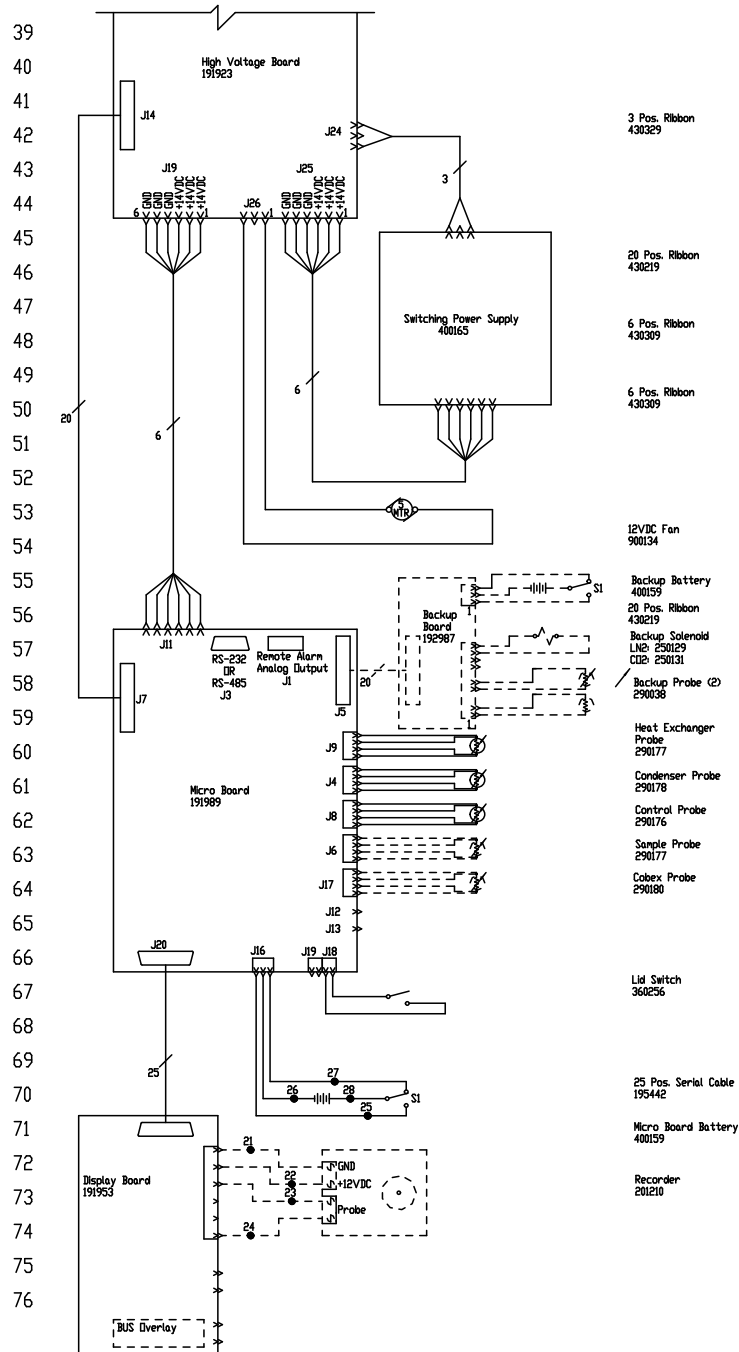
POWER CONNECTION
230V/50HZ & 208/230V/60HZ, 1Ø, 2W, 120 FLA
OPERATING RANGE 207-253



Electrical Schematic
Model:
230V, 50 & 60Hz, -86°C
ULT Chest Freezers

8702-70-1-D REV 9
Page 1 of 3

Section 10
Electrical Schematics



Electrical Schematic
Model:
230V, 50 & 60Hz, -86°C
ULT Chest Freezers

8702-70-1-D REV 9
Page 2 of 3

77
78
79
80
81
82
83
84
85
86
87
88
89
90
91
92
93
94
95
96
97
98
99
100
101
102
103
104
105
106
107

WIRE #	COLOR	GAUGE	WIRE #	COLOR	GAUGE
1	BLK	14	29	-	-
2	RED	14	30	-	-
3	GRN/YEL	14	31	GRN/YEL	14
4	RED/WHT	14	32	BLK	14
5	BLK/WHT	14	33	BLU	14
6	BLK	18	34	BLK	14
7	BLK	18	35	BLU	14
8	BLK	18	36	BLK	14
9	BLK	18	37	BLU	14
10	BLK	18	38	BLK	14
11	BLK	18	39	BLU	14
12	BLK	18	40	BLK	14
13	BLK	18	41	BLU	14
14	GRN/YEL	18	42	BLK	14
15	GRN/YEL	18	43	BLU	14
16	GRN/YEL	18	44	BLK	14
17	GRN/YEL	14	45	BLU	14
18	GRN/YEL	14	46	BLK	14
19	BLK/WHT	14	47	BLU	14
20	BLK	14	48	BLK	14
21	BLK	18	49	BLU	14
22	RED	18	50	BLK	14
23	BLK	18	51	BLU	14
24	RED	18	52	YEL/WHT	14
25	WHT	18	53	YEL	14
26	BLK	18	54	BLU/WHT	14
27	BLK	18	55	BLU	14
28	RED	18			

CHEST MODELS
12.7 CUFT. (230V) - 813CD, HF1290TD, 1913CD, TSC1290D, UL1199-10-B, VWR1386D, 813CV, HF1390TV, 1913CV, TSC1390V, UL1390-10-V
VWR1386V, 813CFB, TSC1396FB, UL1396-10-EPD

17 CUFT. (230V) - 817CD, HF1790TD, 1917CD, TSC1790D, UL1790-10-B, 817CV, HF1790TV, 1917CV, TSC1790V, UL1790-10-V, 817CFB
TSC1796FB, JLI1790-10-EPD

20 CUFT. - 820CD, HF2090TD, 1920CD, TSC2090D, UL1209-10-B, VWR2086D, 820CV, HF2090TV, 1920CV, TSC2090V, UL1209-10-V
VWR2086V, 820CFB, TSC2096FB, UL1209-10-EPD

REMOTE CONTACTS/ANALOG OUTPUT

PIN# 1 Analog Output +
PIN# 2 Analog Output -
PIN# 3 Not Connected
PIN# 4 Not Connected
PIN# 5 Normally Closed
PIN# 6 Common
PIN# 7 Normally Open

RS-232 SPECIFICATION

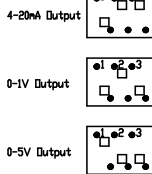
BAUD = 1200
PARITY = N
BITS = 8
STOP BITS = 2

RS-232 PINS

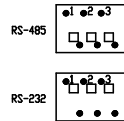
PIN# 2 TXD
PIN# 3 RXD
PIN# 5 GND

CONTACT RATING: 1A @ 30V
CONTACTS IN ALARM STATE

SV1 Settings for Analog Output



SW2 Settings for Communication Output



SW3 SETTINGS



1. Schematic represents chest models.
2. Door switches shown in open position.
3. Battery switch shown in the OFF position.
4. Circuit breaker switch shown in OFF position.
5. Options and accessories shown in dashed lines.

9	EDM-602556	09-25-19	TTI	TTI	COMPRESSOR 202061 WAS 202050
8	41795	12-13-17	KWB	TTI	UPDATED 'CHEST MODELS' DETAILS
7	FR-2006	09-14-17	KWB	KWB	191987 BACKUP BOARD TO 192987
6	FR-2054	06-01-16	KWB	DRP	312288 WAS 300430
5	FR-2805	06-19-15	SJM	SAG	DRP 312188 WAS 300429
4	FR-2793	12-17-14	NV	KWB	DRP ADDED MODELS 5613 & 5623
3	FR-2386	09-29-12	AJC	SAG	DRP REVISED OPERATING RANGE FROM 200-240V
2	FR-2386	07-27-12	MW	KWB	DRP CHG 300430 RELAT TO 300429, 300430 TO 300430
1	FR-2857	08/17/11	LJC	SAG	DRP 1 COMPRESSOR CHANGE / RELEASE 7
REV	EDN	NEL	DATE	BY	DESCRIPTION OF REVISION

Electrical Schematic
Model:
230V, 50 & 60Hz, -86°C
ULT Chest Freezers



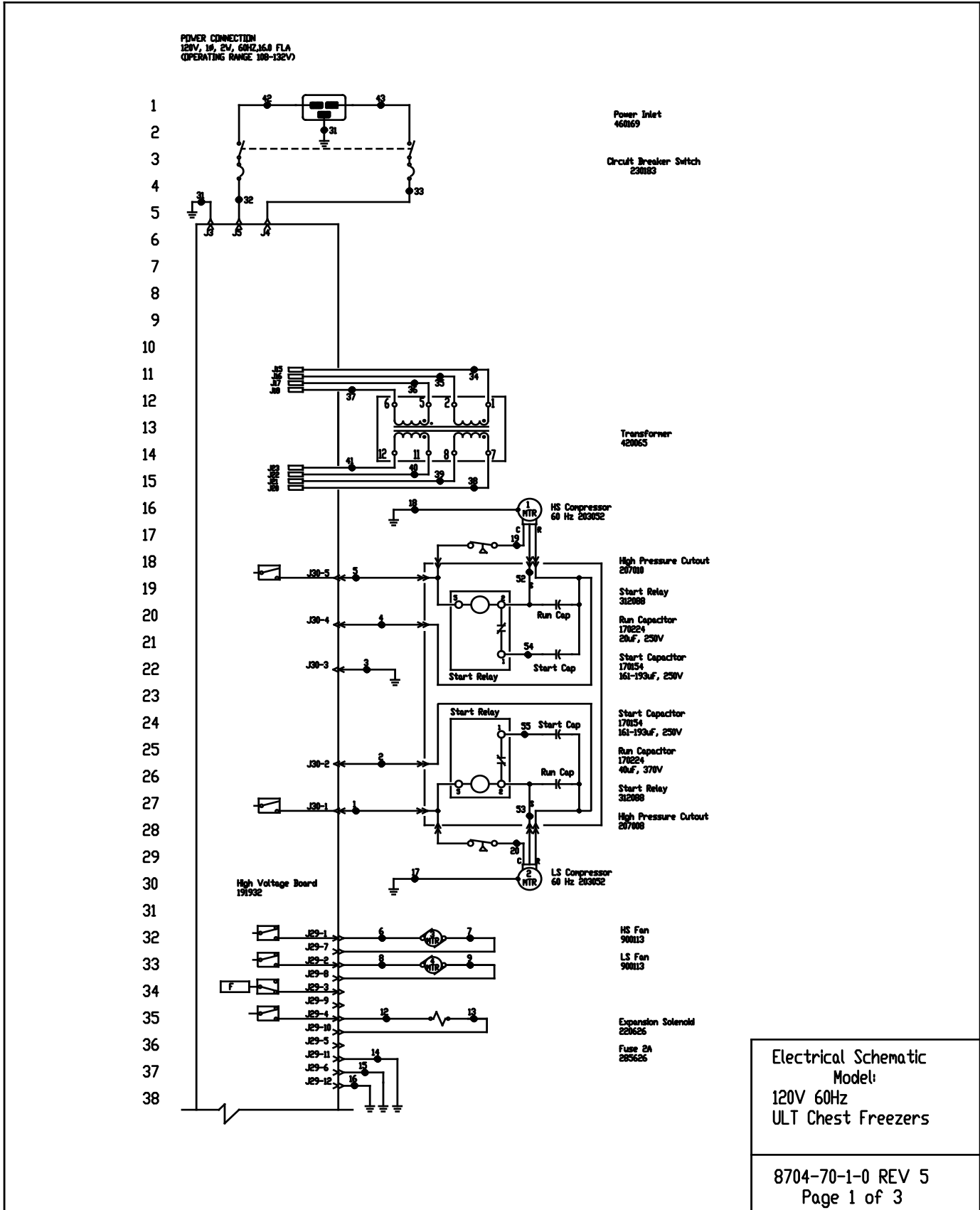
THIS DOCUMENT CONTAINS PROPRIETARY INFORMATION AND SUCH INFORMATION IS NOT TO BE DISCLOSED TO OTHERS FOR ANY PURPOSE NOR USED FOR MANUFACTURING PURPOSES WITHOUT WRITTEN PERMISSION FROM THERMO FISHER SCIENTIFIC.

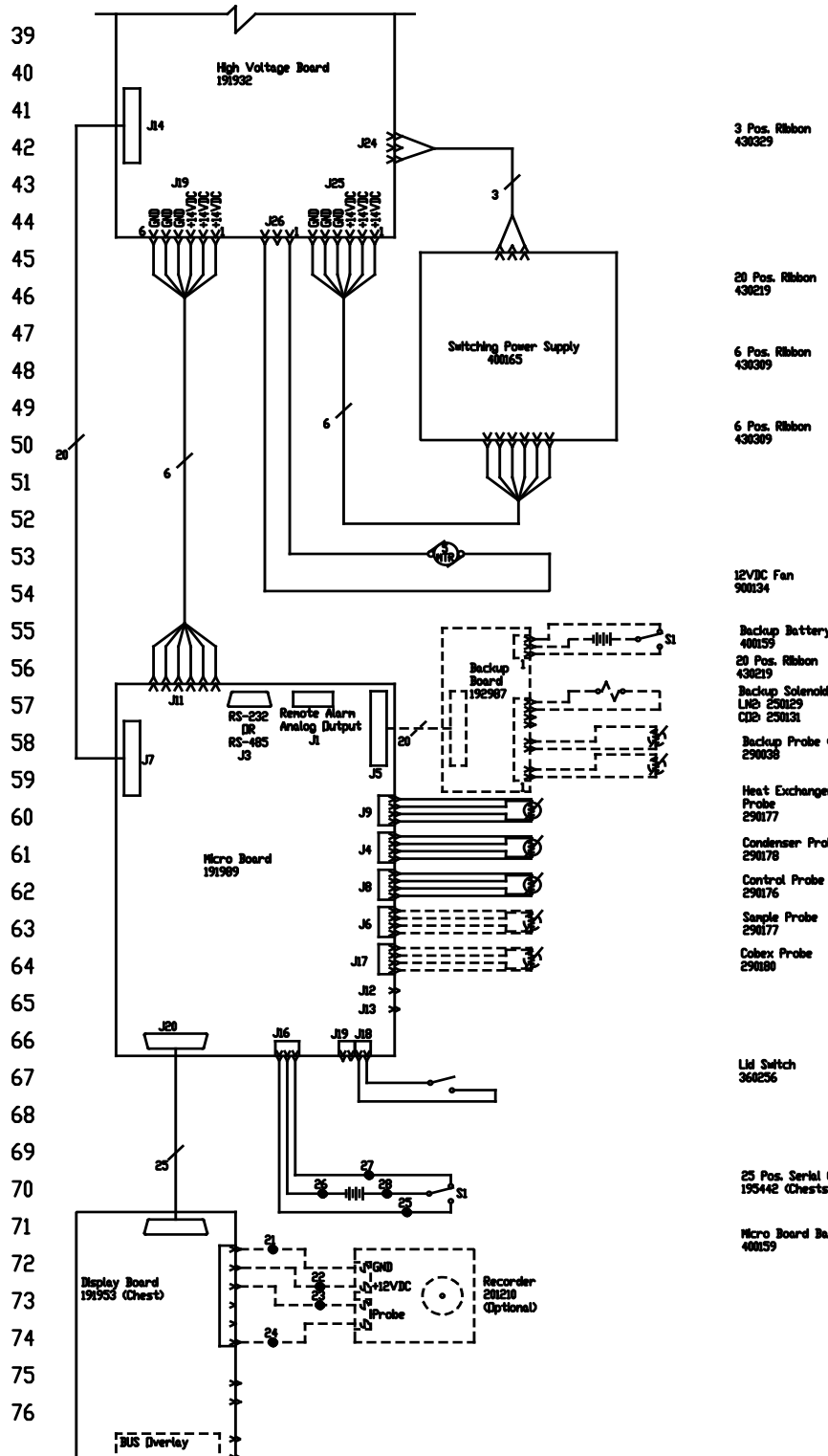
ThermoFisher
SCIENTIFIC
BOX 649, MARICETTA, OHIO 45750

MODEL/PART NAME: ULT -86C CHEST FREEZERS, 230V, 50 & 60Hz
DWG TITLE: UNIT SCHEMATIC
DWG SAG CAD SAG APPD DATE: 05/04/11 SCALE: NONE
MATERIAL:
PAINT COLOR:
TOLERANCE UNLESS OTHERWISE SPECIFIED:
ANGLES: DECIMAL .000±
DRAWING NUMBER: 8702-70-1
SIZE: D

8702-70-1-D REV 9
Page 3 of 3

Section 10
Electrical Schematics





Electrical Schematic
Model:
120V 60Hz
ULT Chest Freezers

8704-70-1-0 REV 5
Page 2 of 3

77
78
79
80
81
82
83
84
85
86
87
88
89
90
91
92
93
94
95
96
97
98
99
100
101
102
103
104
105
106
107

WIRE #	COLOR	GAUGE	WIRE #	COLOR	GAUGE
1	BLK	14	29	-	-
2	RED	14	30	-	-
3	GRN/YEL	14	31	GRN/YEL	14
4	RED/WHT	14	32	BLK	14
5	BLK/WHT	14	33	BLU	14
6	BLK	18	34	BLK	14
7	BLK	18	35	BLU	14
8	BLK	18	36	BLK	14
9	BLK	18	37	BLU	14
10	BLK	18	38	BLK	14
11	BLK	18	39	BLU	14
12	BLK	18	40	BLK	14
13	BLK	18	41	BLU	14
14	GRN/YEL	18	42	BLK	14
15	GRN/YEL	18	43	BLU	14
16	GRN/YEL	18	44	-	-
17	GRN/YEL	14	45	-	-
18	GRN/YEL	14	46	-	-
19	BLK/WHT	14	47	-	-
20	BLK	14	48	-	-
21	BLK	18	49	-	-
22	RED	18	50	-	-
23	BLK	18	51	-	-
24	RED	18	52	YEL/WHT	14
25	WHT	18	53	YEL	14
26	BLK	18	54	BLU/WHT	14
27	BLK	18	55	BLU	14
28	RED	18			

CHEST MODELS
12.7 CUFT. - 5153, 5615, 5815, 6704, 6744, 6768
17 CUFT. - 5154, 5616, 6705, 6745, 6769
20 CUFT. - 5157, 5621, 5821, 6710, 6731, 6774

RS-232 SPECIFICATION

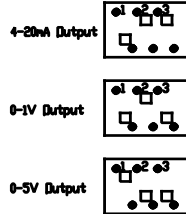
BAUD = 1200
PARITY = N
BITS = 8
STOP BITS = 2

RS-232 PORT
PINS 2 TXD
PINS 3 RXD
PINS 5 GND

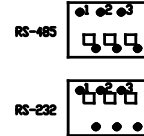
REMOTE CONTACTS/ANALOG OUTPUT
PINS 1 Analog Output +
PINS 2 Analog Output -
PINS 3 Not Connected
PINS 4 Not Connected
PINS 5 Normally Closed
PINS 6 Common
PINS 7 Normally Open

CONTACT RATING 1A @ 30V
CONTACTS IN ALARM STATE

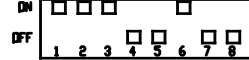
SV1 Settings for Analog Output



SV2 Settings for Communication Output



SV3 SETTINGS



1. Schematic represents chest models.
2. Door switches shown in open position.
3. Battery switch shown in the OFF position.
4. Circuit breaker switch shown in OFF position.
5. Options and accessories shown in dashed lines.

5	FR-0886	08-14-17	ED	ICG	152967 BACKUP BATTERY TO 152967		
4	FR-0854	04-08-25	EDD	ICG	REWORK WIRE 300420		
3	FR-0380	08-29-12	AJC	SHG	REVISED OPERATING RANGE FROM 100-120V		
2	FR-0380	07-27-12	HWK	ICG	CHG. 300421 START RELAY TO 300420		
1	FR-0857	08/17/10	SHG	SHG	COMPRESSOR CHANGE / RELEASE 7		
0	FR-0882	05/04/10	SHG	SHG	RELEASED FOR PRODUCTION / RELEASE 6		
REV	EDM	HD	DATE	BY	CHG	APPD	DESCRIPTION OF REVISION

Electrical Schematic
Model:
120V 60Hz
ULT Chest Freezers

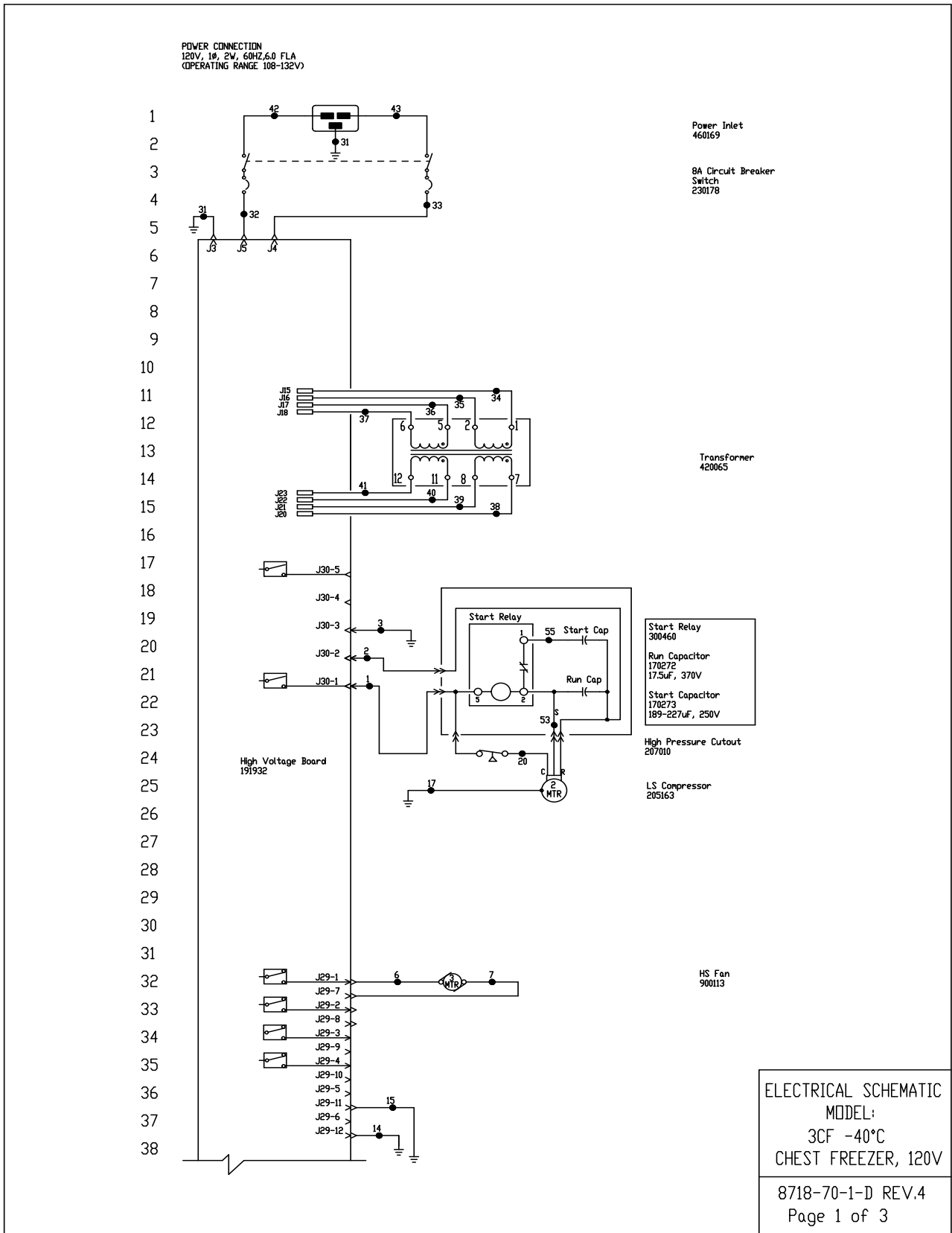


THIS DOCUMENT CONTAINS PROPRIETARY INFORMATION AND SUCH INFORMATION IS NOT TO BE DISCLOSED TO OTHERS FOR ANY PURPOSE NOR USED FOR REPRODUCTION PURPOSES WITHOUT WRITTEN PERMISSION FROM THERMO FISHER SCIENTIFIC

ThermoFisher SCIENTIFIC
BOX 649, NORWETTA, OHIO 43790

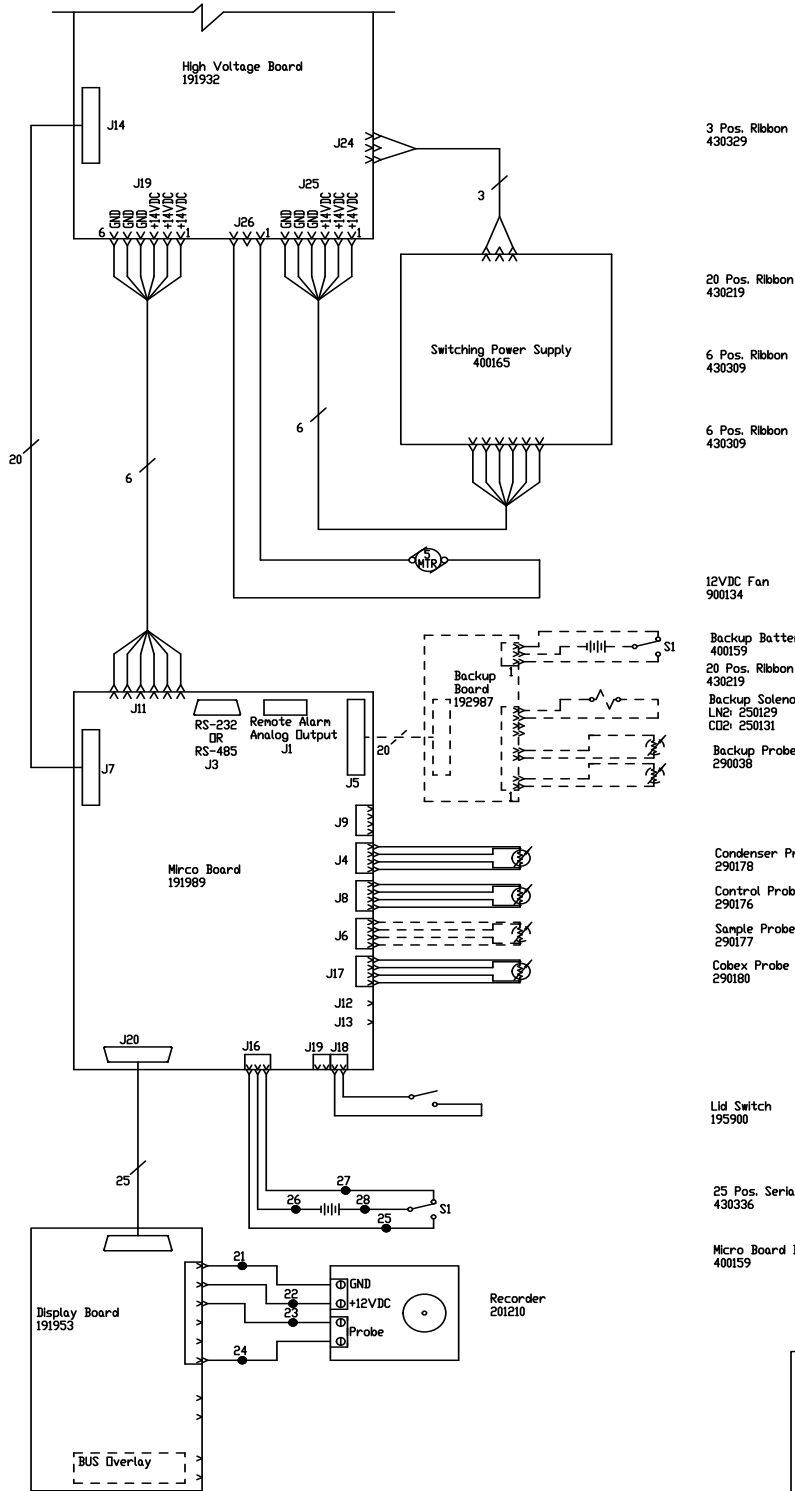
MODEL/PART NAME: ULT -66C CHEST FREEZERS, 120V, 60Hz			
DWG TITLE: UNIT SCHEMATIC			
DMW	SMS	CMB	SMS
APPD	DRP	DATE	SCALE
85-04-11			1:1
INTERVAL:			
PAINT COLOR:			
TOLERANCE UNLESS OTHERWISE SPECIFIED			
INCHES	DECIMAL	JOB #	DRAWING NUMBER
		300-2	8704-70-1
		3000-2	SIZE
			D

8704-70-1-0 REV 5
Page 3 of 3



Section 10
Electrical Schematics

39
40
41
42
43
44
45
46
47
48
49
50
51
52
53
54
55
56
57
58
59
60
61
62
63
64
65
66
67
68
69
70
71
72
73
74
75
76

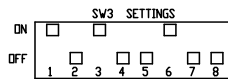


ELECTRICAL SCHEMATIC
MODEL:
3CF -40°C
CHEST FREEZER, 120V
8718-70-1-D REV.4
Page 2 of 3

77
78
79
80
81
82
83
84
85
86
87
88
89
90
91
92
93
94
95
96
97
98
99
100
101
102
103
104
105
106
107

WIRE #	COLOR	GAUGE	WIRE #	COLOR	GAUGE
1	BLK	14	25	WHT	18
2	RED	14	26	BLK	18
3	GRN/YEL	14	27	BLK	18
4			28	RED	18
5			29		
6	BLK	18	30		
7	BLK	18	31	GRN/YEL	14
8	BLK	18	32	BLK	14
9	BLK	18	33	BLU	14
10			34	BLK	14
11			35	BLU	14
12			36	BLK	14
13			37	BLU	14
14	GRN/YEL	18	38	BLK	14
15	GRN/YEL	18	39	BLU	14
16			40	BLK	14
17	GRN/YEL	14	41	BLU	14
18			42	BLK	14
19			43	BLU	14
20	BLK	14			
21	BLK	18			
22	RED	18			
23	BLK	18			
24	RED	18			

MODELS:
3 CUFT. CHEST MODELS (120V) - 703CA, HFC350TA, TSC350A, ULT350-10-A



RS-232 SPECIFICATION

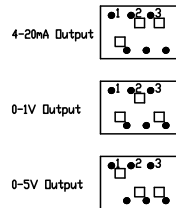
BAUD = 1200
PARITY = N
BITS = 8
STOP BITS = 2

REMOTE CONTACTS/ANALOG OUTPUT
PIN# 1 Analog Output +
PIN# 2 Analog Output -
PIN# 3 Not Connected
PIN# 4 Not Connected
PIN# 5 Normally Closed
PIN# 6 Common
PIN# 7 Normally Open

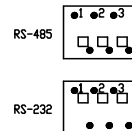
RS-232 PORT
PIN# 2 TXD
PIN# 3 RXD
PIN# 5 GND

CONTACT RATING 1A @ 30V
CA CONTACTS IN ALARM STATE

SW1 Settings for Analog Output



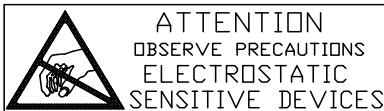
SW2 Settings for Communication Output



1. Door switch shown in open position.
2. Battery switch shown in the OFF position.
3. Circuit breaker switch shown in OFF position.
4. Options and accessories shown in dashed lines.

REV	ECN NO.	DATE	BY	CAD	APPD	DRP	DESCRIPTION OF REVISION
4	ECM-000587	10-23-19	TFI	TFI	KMB	DRP	START CAP, RUN CAP UPDATED FOR COMPRESSOR. COMPRESSOR WIRING CHANGED TO SAG. SEE REV. 15 FOR DETAILS.
3	41795	12-13-17	KMB	TFI	KMB	DRP	UPDATED "MODELS" DETAILS
2	FR-3006	08-14-17	KB	KDG	KMB	DRP	191987 BACKUP BOARD TO 192987
1	FR-2386	08-29-12	AJC	SAG	DRP	DRP	REVISED OPERATING RANGE FROM 108-130V
0	FR-2202	05/03/11	SRS	SAG	DRP	DRP	RELEASED FOR PRODUCTION / RELEASE 6

ELECTRICAL SCHEMATIC
MODEL:
3CF -40°C
CHEST FREEZER, 120V



THIS DOCUMENT CONTAINS PROPRIETARY INFORMATION AND SUCH INFORMATION IS NOT TO BE DISCLOSED TO OTHERS FOR ANY PURPOSE NOR USED FOR MANUFACTURING PURPOSES WITHOUT WRITTEN PERMISSION FROM THERMO FISHER SCIENTIFIC.

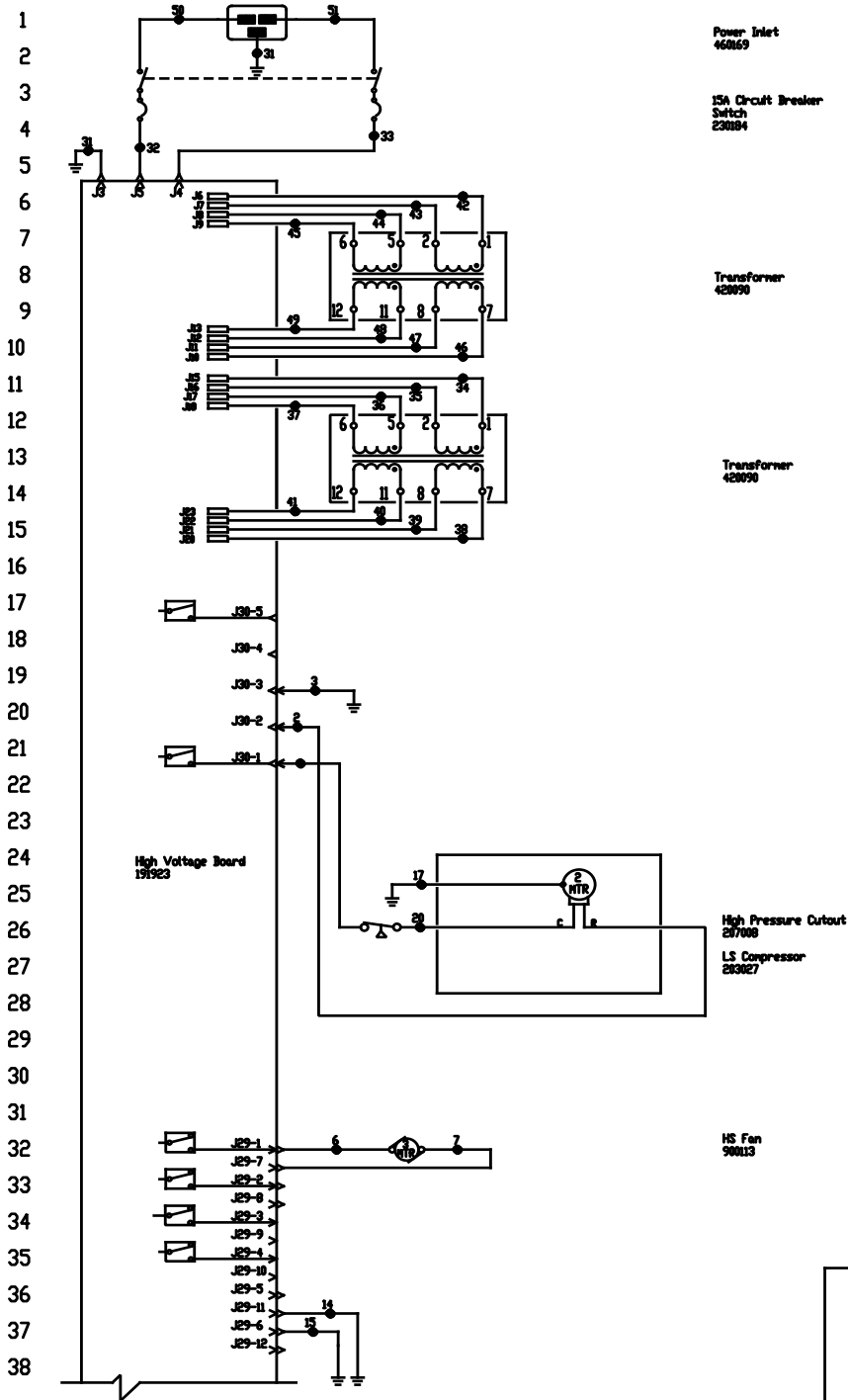
ThermoFisher
SCIENTIFIC
BOX 649, MARIETTA, OHIO 45750

MODEL/PART NAME:	3CF -40° CHEST FREEZER, 120V
DWG TITLE:	ELECTRICAL SCHEMATIC
DWN:	SAG
CAD:	SAG
APPD:	DRP
DATE:	05-11-11
SCALE:	NONE
MATERIAL:	
PAIN COLOR:	
TOLERANCE UNLESS OTHERWISE SPECIFIED:	XXX±
ANGLES:	DECIMAL XXX±
DRAWING NUMBER:	8718-70-1
SIZE:	D

8718-70-1-D REV.4
Page 3 of 3

Section 10
Electrical Schematics

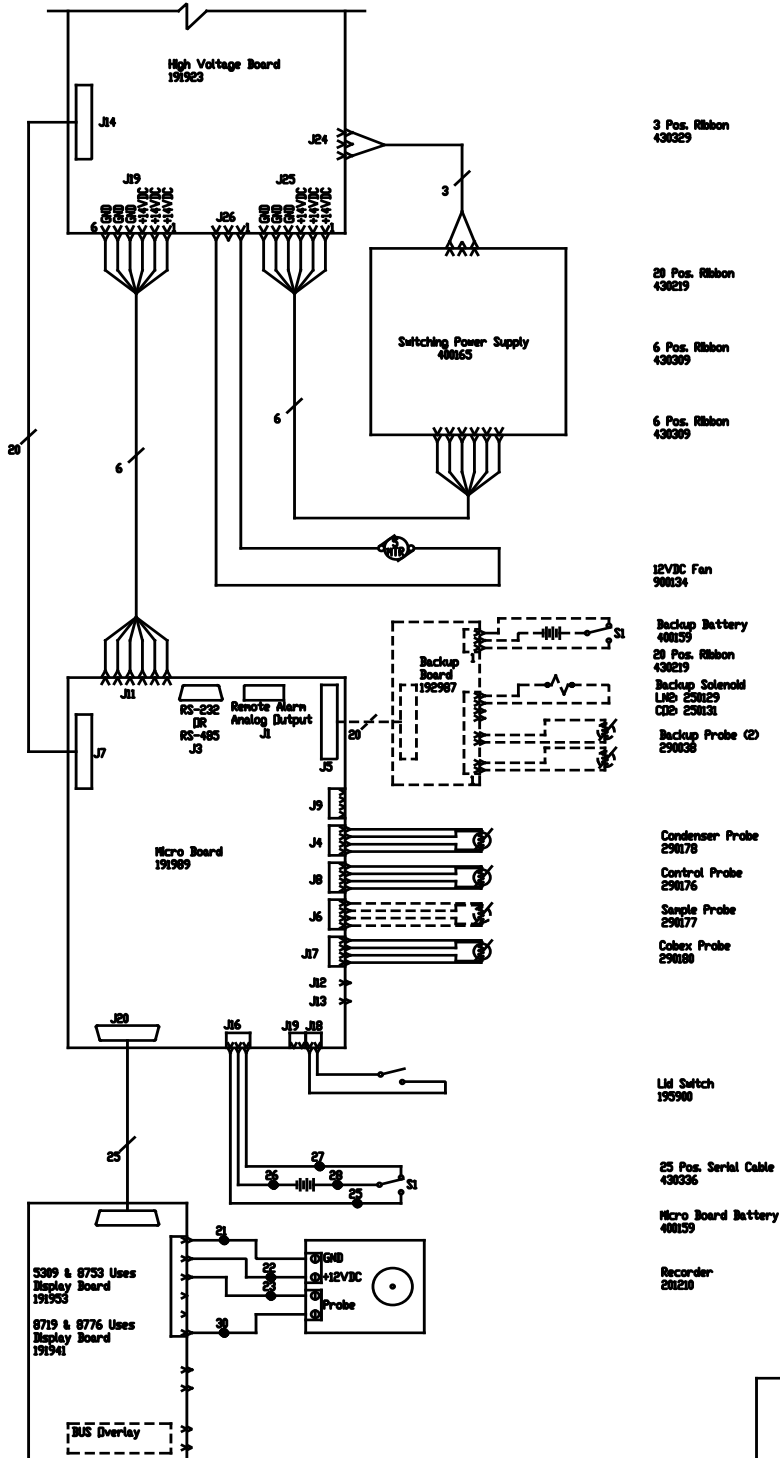
POWER CONNECTION
230V, 1ϕ, 2W, 50HZ, 3.0 FLA
OPERATING RANGE 207-233



Electrical Schematic
Model:
230V 3 Cu Ft
-40°C Chest Freezers

8719-70-1-0 REV 3
Page 1 of 3

39
40
41
42
43
44
45
46
47
48
49
50
51
52
53
54
55
56
57
58
59
60
61
62
63
64
65
66
67
68
69
70
71
72
73
74
75
76



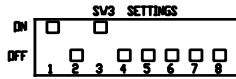
Electrical Schematic
Model:
230V 3 Cu Ft
-40°C Chest Freezers

8719-70-1-0 REV 3
Page 2 of 3

77
78
79
80
81
82
83
84
85
86
87
88
89
90
91
92
93
94
95
96
97
98
99
100
101
102
103
104
105
106
107

WIRE #	COLOR	GAUGE	WIRE #	COLOR	GAUGE
1	BLK	14	25	WHT	18
2	RED	14	26	BLK	18
3	GRN/YEL	14	27	BLK	18
4			28	RED	18
5			29		
6	BLK	18	30	RED	18
7	BLK	18	31	GRN/YEL	14
8	BLK	18	32	BLK	14
9	BLK	18	33	BLU	14
10			34	BLK	14
11			35	BLU	14
12			36	BLK	14
13			37	BLU	14
14	GRN/YEL	18	38	BLK	14
15	GRN/YEL	18	39	BLU	14
16			40	BLK	14
17	GRN/YEL	14	41	BLU	14
18			42	BLK	14
19			43	BLU	14
20	BLK	14	44	BLK	14
21	BLK	18	45	BLU	14
22	RED	18	46	BLK	14
23	BLK	18	47	BLU	14
24			48	BLK	14
			49	BLU	14
			50	BLK	14
			51	BLU	14

3 CUFT. CHEST MODELS
5305, 8719, 8753, 8776



REMOTE CONTACTS/ANALOG OUTPUT
PIN# 1 Analog Output +
PIN# 2 Analog Output -
PIN# 3 Shield
PIN# 4 Shield
PIN# 5 Normally Closed
PIN# 6 Common
PIN# 7 Normally Open

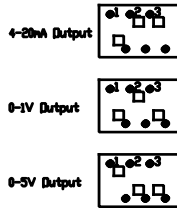
CONTACT RATING 1A @ 30V
CONTACTS IN ALARM STATE

RS-232 SPECIFICATION

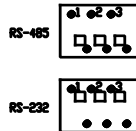
BAUD = 1200
PARITY = N
BITS = 8
STOP BITS = 2

RS-232 PINS
PIN# 2 TXD
PIN# 3 RXD
PIN# 5 GND

SV1 Settings for Analog Output



SV2 Settings for Communication Output



1. Door switch shown in open position.
2. Battery switch shown in the OFF position.
3. Circuit breaker switch shown in OFF position.
4. Options and accessories shown in dashed lines.

REV	CDR	DATE	BY	CHK	APP'D	DESCRIPTION OF REVISION
3	FR-2886	08-14-17	KD	KDG		129487 BNCUP BOARD TO 129507
2	FR-2843	04-25-16	KD	SMS	DRP	22884 WAS 22883
1	FR-2286	08-23-12	AJC	SMS	DRP	REVISED OPERATING RANGE FROM 200-240V
0	FR-2286	05/08/11	BRS	SMS	DRP	RELEASED FOR PRODUCTION / RELEASE 6

Electrical Schematic
Model:
230V 3 Cu Ft
-40°C Chest Freezers



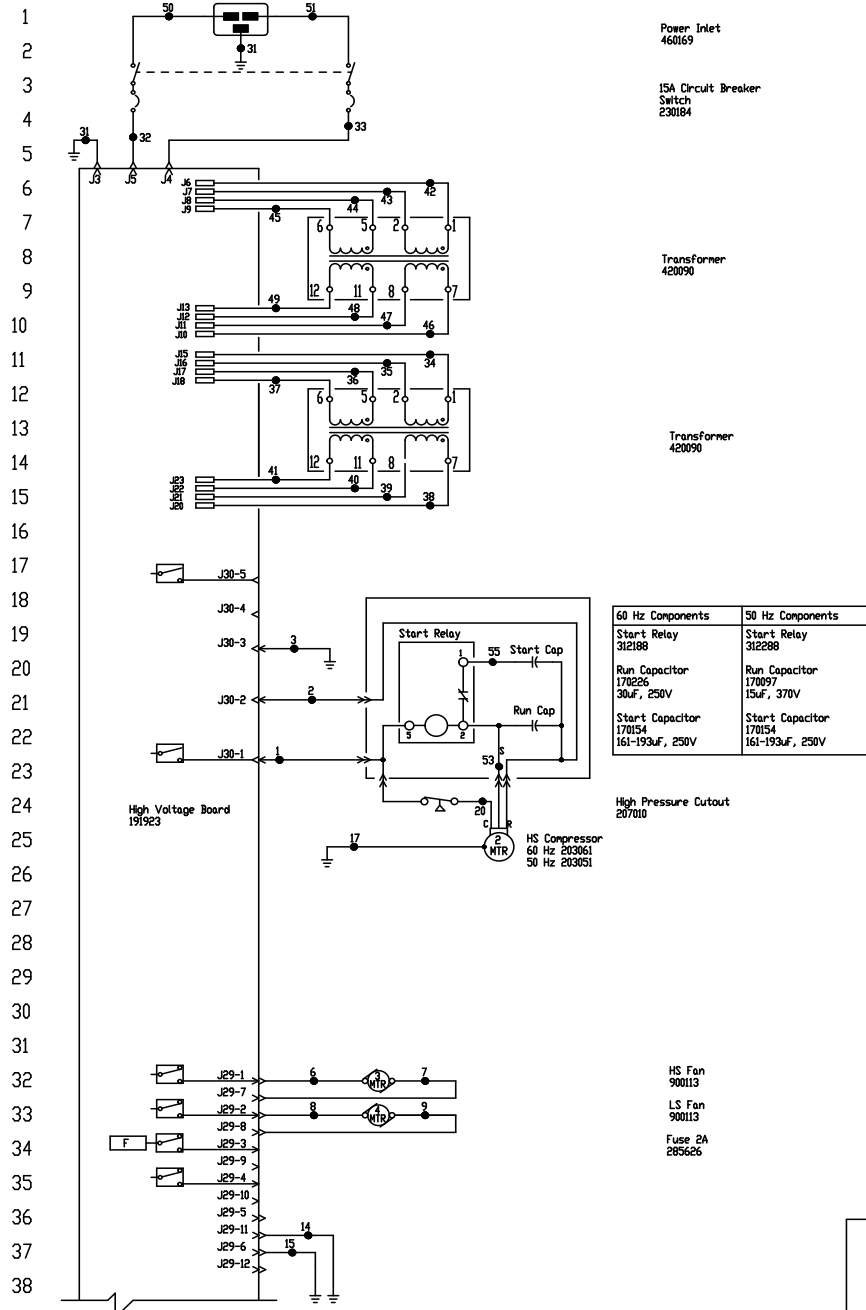
THIS DOCUMENT CONTAINS PROPRIETARY INFORMATION AND SUCH INFORMATION IS NOT TO BE DISCLOSED TO OTHERS FOR ANY PURPOSE NOR USED FOR MANUFACTURING PURPOSES WITHOUT WRITTEN PERMISSION FROM THERMO SCIENTIFIC.

ThermoFisher
SCIENTIFIC
BOX 649, NORWETTA, OHIO 45750

MODEL/PART NAME	3CF -40° CHEST FREEZER, 229V
DWG TITLE	ELECTRICAL SCHEMATIC
DRAWN BY	KDG
CAD	KDG
APP'D	LSM
DATE	10-10-18
SCALE	NONE
MATERIALS	
PANT COLOR	
TELEPHONE UNLESS OTHERWISE SPECIFIED	
ANGLES	SECOND ANGLE
DRAWING NUMBER	8719-70-1
SIZE	D

8719-70-1-0 REV 3
Page 3 of 3

POWER CONNECTION
230V/50HZ & 208/230V/60HZ, 1ø, 2W, 6.5 FLA
(OPERATING RANGE 207-253)



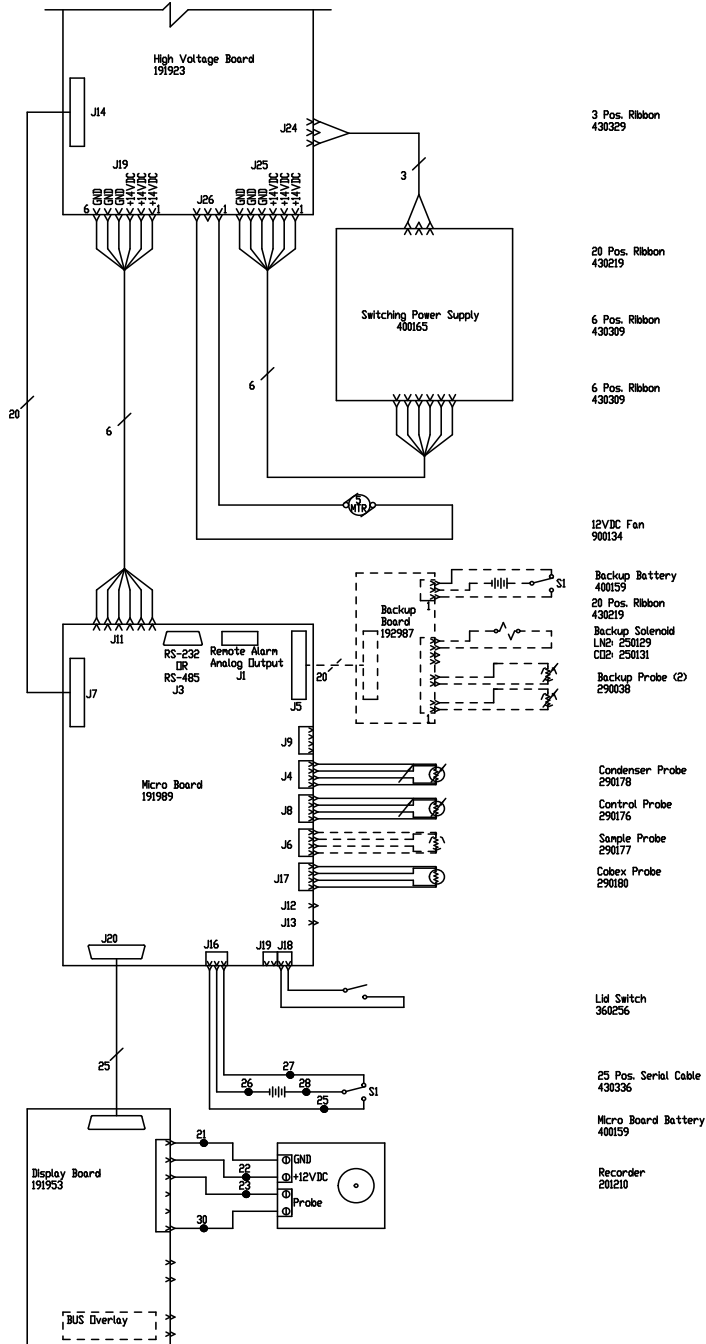
60 Hz Components	50 Hz Components
Start Relay 312188	Start Relay 312288
Run Capacitor 170226 30uF, 250V	Run Capacitor 170097 15uF, 370V
Start Capacitor 170154 161-193uF, 250V	Start Capacitor 170154 161-193uF, 250V

Electrical Schematic
Model:
230V, 50 & 60Hz, -86°C
ULT Chest Freezers

8722-70-1-D REV 9
Page 1 of 3

Section 10
Electrical Schematics

39
40
41
42
43
44
45
46
47
48
49
50
51
52
53
54
55
56
57
58
59
60
61
62
63
64
65
66
67
68
69
70
71
72
73
74
75
76



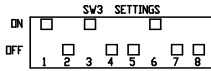
Electrical Schematic
Model:
230V, 50 & 60Hz, -86°C
ULT Chest Freezers

8722-70-1-D REV 9
Page 2 of 3

77
78
79
80
81
82
83
84
85
86
87
88
89
90
91
92
93
94
95
96
97
98
99
100
101
102
103
104
105
106
107

WIRE #	COLOR	GAUGE	WIRE #	COLOR	GAUGE
1	BLK	14	29		
2	RED	14	30	RED	18
3	GRN/YEL	14	31	GRN/YEL	14
4			32	BLK	14
5			33	BLU	14
6	BLK	18	34	BLK	14
7	BLK	18	35	BLU	14
8	BLK	18	36	BLK	14
9	BLK	18	37	BLU	14
10			38	BLK	14
11			39	BLU	14
12			40	BLK	14
13			41	BLU	14
14	GRN/YEL	18	42	BLK	14
15	GRN/YEL	18	43	BLU	14
16			44	BLK	14
17	GRN/YEL	14	45	BLU	14
18			46	BLK	14
19			47	BLU	14
20	BLK	14	48	BLK	14
21	BLK	18	49	BLU	14
22	RED	18	50	BLK	14
23	BLK	18	51	BLU	14
24			52		
25	WHT	18	53	YEL	14
26	BLK	18	54		
27	BLK	18	55	BLU	14
28	RED	18			

CHEST MODELS:
12.7 CUFT. (230V) - 713CD, HFC1350TD, TSC1350D, ULT1350-10-D, 713CV, HFC1350TV, TSC1350V
ULT1350-10-V, 713CGPD, TSC1350GPD, ULT1350-10-GPD
17 CUFT. (230V) - 717CD, HFC1750TD, TSC1750D, ULT1750-10-D, 717CV, HFC1750TV, TSC1750V
ULT1750-10-V, 717CGPD, TSC1750GPD, ULT1750-10-GPD
20 CUFT. (230V) - 720CD, HFC2050TD, TSC2050D, ULT2050-10-D, 720CV, HFC2050TV, TSC2050V
ULT2050-10-V, 720CGPD, TSC2050GPD, ULT2050-10-GPD



REMOTE CONTACTS/ANALOG OUTPUT
PIN# 1 Analog Output +
PIN# 2 Analog Output -
PIN# 3 Shield
PIN# 4 Shield
PIN# 5 Normally Closed
PIN# 6 Common
PIN# 7 Normally Open

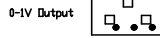
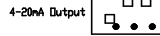
CONTACT RATINGS: 1A @ 30V
CONTACTS IN ALARM STATE

RS-232 SPECIFICATION

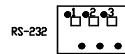
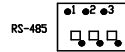
BAUD = 1200
PARITY = N
BITS = 8
STOP BITS = 2



SV1 Settings for Analog Output



SV2 Settings for Communication Output



1. Door switch shown in open position.
2. Battery switch shown in the OFF position.
3. Circuit breaker switch shown in OFF position.
4. Options and accessories shown in dashed lines.

REV	ECN	NL	DATE	BY	CAD	APPD	DESCRIPTION OF REVISION
9	EDM-000556	09-25-19	TFI	TFI			COMPRESSOR 203861 WAS 203050
8	41795	12-13-17	KWB	TFI	KWB		UPDATED "CHEST MODELS" DETAILS
7	FR-3006	08-14-17	KB	KIG	KWB		191987 BACKUP INWARD TO 192987
6	FR-2854	06-01-16	KWB	KIG	DRP		312288 WAS 300430
5	FR-2843	04-05-16	KB	SAG	DRP		230184 WAS 230178
4	FR-2895	06-19-15	S.N	SAG	DRP		301288 WAS 300429
3	FR-2386	08-29-12	AJC	SAG	KCB		REVISED OPERATING RANGE FROM 200-240V
2	FR-2386	07-27-12	MAN	KIG	KCB		CHG 30M21 RELAY TO 30M22 30M28 TO 30M28
1	FR-2267	10/26/11	LVE	SAG	DRP		COMPRESSOR CHANGE / RELEASE 7
0	FR-2282	05/03/11	SRS	SAG	LIM		RELEASED FOR PRODUCTION / RELEASE 6

Electrical Schematic
Model:
230V, 50 & 60Hz, -86°C
ULT Chest Freezers



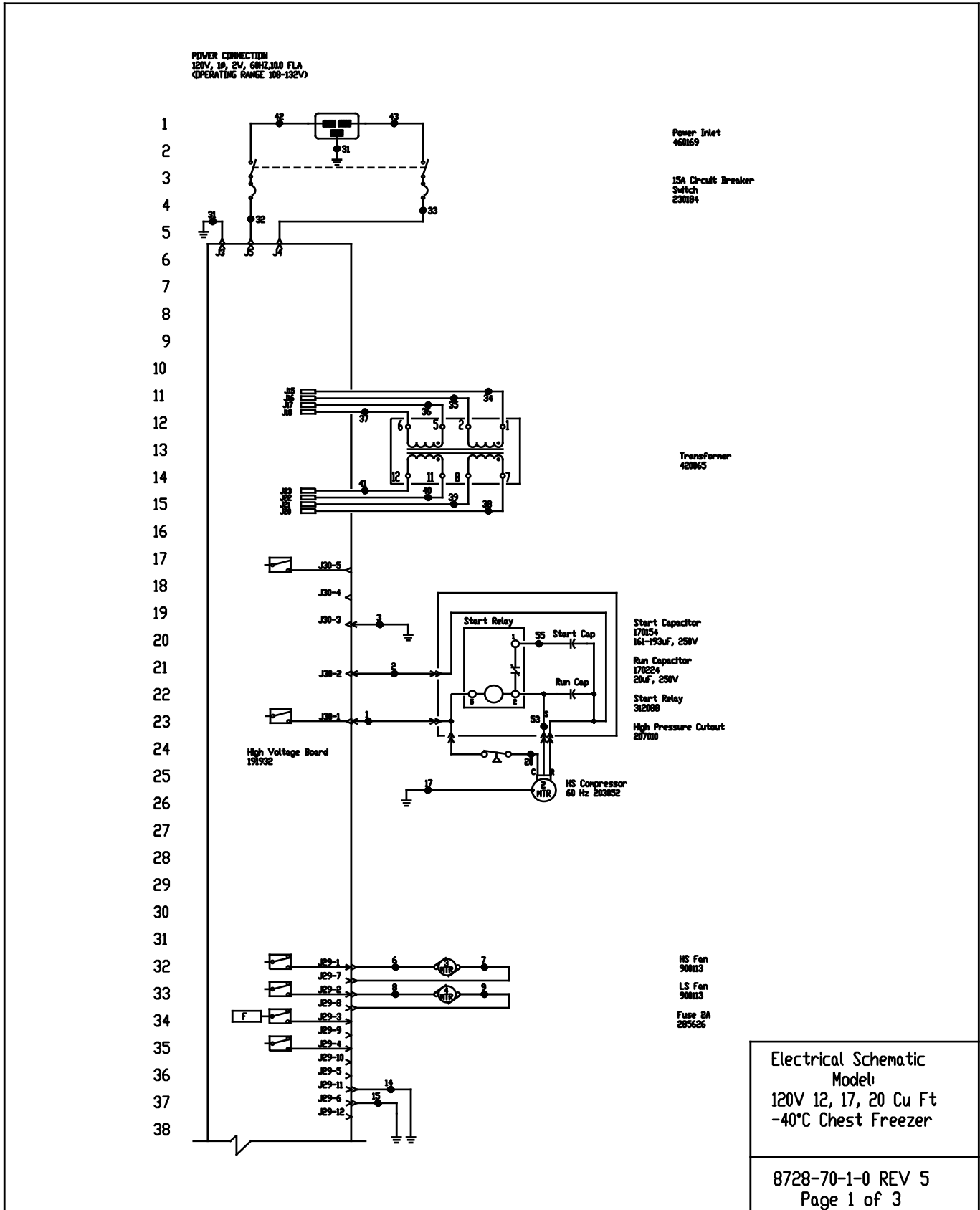
THIS DOCUMENT CONTAINS PROPRIETARY INFORMATION AND SUCH INFORMATION IS NOT TO BE DISCLOSED TO OTHERS FOR ANY PURPOSE NOR USED FOR MANUFACTURING PURPOSES WITHOUT WRITTEN PERMISSION FROM THERMO FISHER SCIENTIFIC.

ThermoFisher SCIENTIFIC
BOX 649, MARSHETTA, OHIO 43750

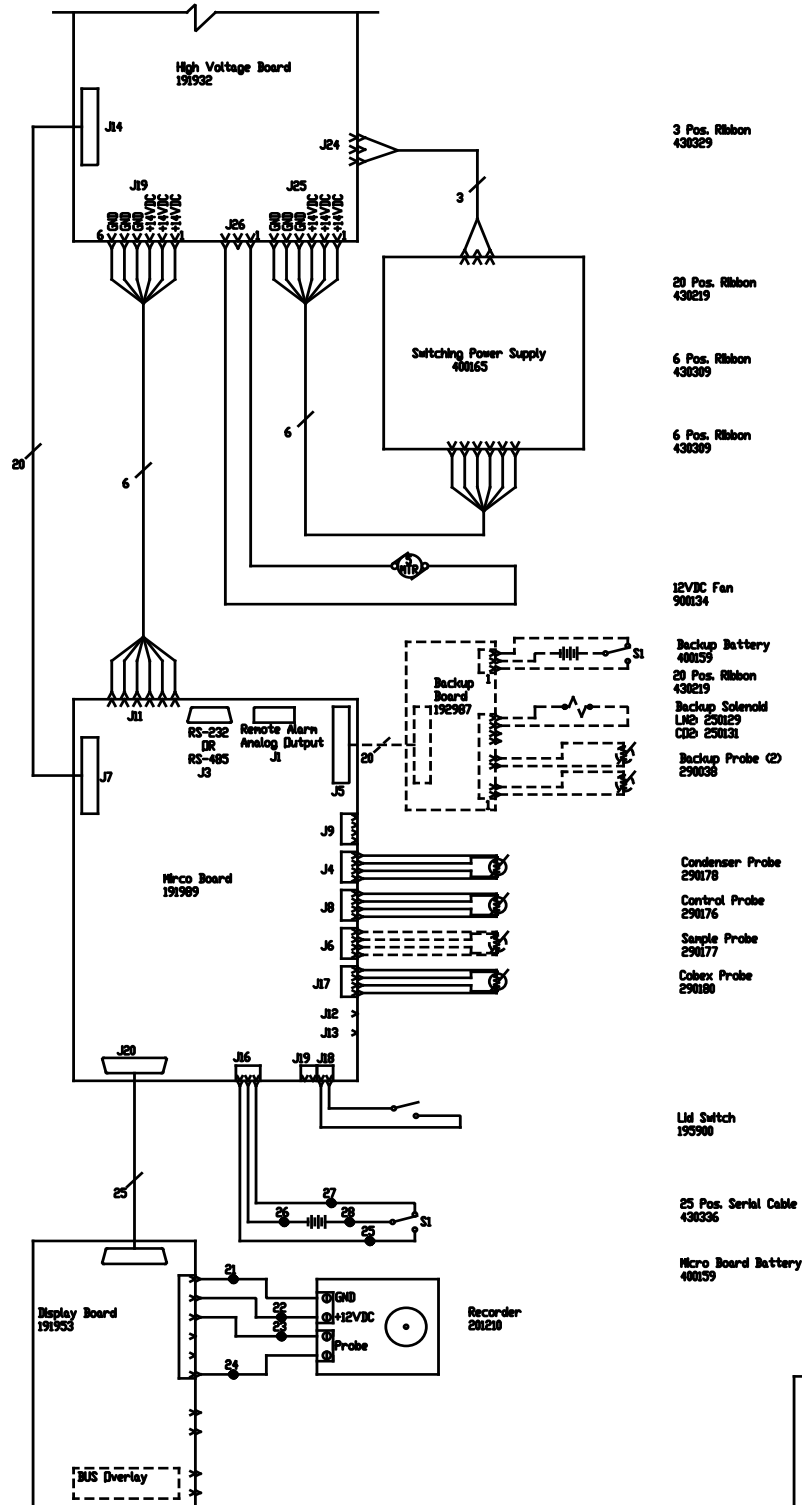
MODEL/PART NAME: 12,17,20CF -40° CHEST FREEZERS, 230V			
DWG TITLE: UNIT SCHEMATIC			
DWG HCC	CAD KIG	APPD LIM	DATE: 10-10-10
SCALE: NONE			
MATERIAL:			
PAINT COLOR:			
TOLERANCE UNLESS OTHERWISE SPECIFIED	DRAWING NUMBER	SIZE	
ANGLES: DECIMAL XXX±	8722-70-1	D	
XXX±			

8722-70-1-D REV 9
Page 3 of 3

Section 10
Electrical Schematics



39
40
41
42
43
44
45
46
47
48
49
50
51
52
53
54
55
56
57
58
59
60
61
62
63
64
65
66
67
68
69
70
71
72
73
74
75
76



Electrical Schematic
Model:
120V 12, 17, 20 Cu Ft
-40°C Chest Freezer

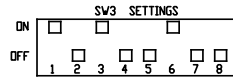
8728-70-1-0 REV 5
Page 2 of 3

Section 10
Electrical Schematics

77
78
79
80
81
82
83
84
85
86
87
88
89
90
91
92
93
94
95
96
97
98
99
100
101
102
103
104
105
106
107

WIRE #	COLOR	GAUGE	WIRE #	COLOR	GAUGE
1	BLK	14	29		
2	RED	14	30		
3	GRN/YEL	14	31	GRN/YEL	14
4			32	BLK	14
5			33	BLU	14
6	BLK	18	34	BLU	14
7	BLK	18	35	BLU	14
8	BLK	18	36	BLK	14
9	BLK	18	37	BLU	14
10			38	BLK	14
11			39	BLU	14
12			40	BLK	14
13			41	BLU	14
14	GRN/YEL	18	42	BLK	14
15	GRN/YEL	18	43	BLU	14
16			44	-	-
17	GRN/YEL	14	45	-	-
18			46	-	-
19			47	-	-
20	BLK	14	48	-	-
21	BLK	18	49	-	-
22	RED	18	50	-	-
23	BLK	18	51	-	-
24	RED	18	52	-	-
25	WHT	18	53	YEL	-
26	BLK	18	54	-	-
27	BLK	18	55	BLU	-
28	RED	18			

CHEST MODELS:
12.7 CU.FT. - 5315, 8728, 8756, 8779
17 CU.FT. - 5318, 8730, 8757, 8780
20 CU.FT. - 5321, 8737, 8762, 8785



REMOTE CONTACTS/ANALOG OUTPUT
PIN# 1 Analog Output +
PIN# 2 Analog Output -
PIN# 3 Not Connected
PIN# 4 Not Connected
PIN# 5 Normally Closed
PIN# 6 Common
PIN# 7 Normally Open

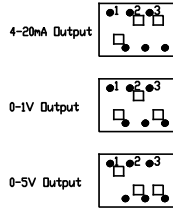
CONTACT RATING: 1A @ 30V
CADCONTACTS IN ALARM STATE

RS-232 SPECIFICATION

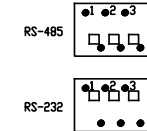
BAUD = 1200
PARITY = N
BITS = 8
STOP BITS = 2

RS-232 PORT
PIN# 2 TXD
PIN# 3 RXD
PIN# 5 GND

SW1 Settings for Analog Output



SW2 Settings for Communication Output



1. Door switch shown in open position.
2. Battery switch shown in the OFF position.
3. Circuit breaker switch shown in OFF position.
4. Options and accessories shown in dashed lines.

REV	ECN NO.	DATE	BY	CAD APPD	DESCRIPTION OF REVISION
5	FR-3086	08-14-17	KB	KDG	191987 BACKUP BOARD TO 192987
4	FR-2854	06-01-16	KWB	KDG DRP	312888 VAS 300428
3	FR-2386	08-29-12	AJC	SAG DRP	REVISED OPERATING RANGE FROM 100-130V
2	FR-2386	07-27-12	MMN	KDG HSB	CHG. 300421 START RELAY TO 300428
1	FR-2267	10/26/11	JME	SAG DRP	COMPRESSOR CHANGE / RELEASE 7
0	FR-2202	05/03/11	SRS	SAG LBN	RELEASED FOR PRODUCTION / RELEASE 6

Electrical Schematic
Model:
120V 12, 17, 20 Cu Ft
-40°C Chest Freezer



THIS DOCUMENT CONTAINS PROPRIETARY INFORMATION AND SUCH INFORMATION IS NOT TO BE DISCLOSED TO OTHERS FOR ANY PURPOSE NOR USED FOR MANUFACTURING PURPOSES WITHOUT WRITTEN PERMISSION FROM THERMO FISHER SCIENTIFIC

ThermoFisher
SCIENTIFIC

BOX 649, MARIETTA, OHIO 45750

REV	ECN NO.	DATE	BY	CAD APPD	DESCRIPTION OF REVISION
5	FR-3086	08-14-17	KB	KDG	191987 BACKUP BOARD TO 192987
4	FR-2854	06-01-16	KWB	KDG DRP	312888 VAS 300428
3	FR-2386	08-29-12	AJC	SAG DRP	REVISED OPERATING RANGE FROM 100-130V
2	FR-2386	07-27-12	MMN	KDG HSB	CHG. 300421 START RELAY TO 300428
1	FR-2267	10/26/11	JME	SAG DRP	COMPRESSOR CHANGE / RELEASE 7
0	FR-2202	05/03/11	SRS	SAG LBN	RELEASED FOR PRODUCTION / RELEASE 6

MODEL/PART NAME: 12J1720CF -40° CHEST FREEZERS, 120V

DWG TITLE: UNIT SCHEMATIC

DWN HCE CAD KDG APPD LBN DATE: 10-10-10 SCALE: NONE

MATERIAL:

PAINTE COLOR:

TOLERANCE UNLESS OTHERWISE SPECIFIED

ANGLES: DECIMAL: .XXX± ANGLES: .XXX±

DRAWING NUMBER: 8728-70-1

SIZE: D

8728-70-1-0 REV 5
Page 3 of 3

THERMO FISHER SCIENTIFIC FREEZER WARRANTY

The Warranty Period starts two weeks from the date your equipment is shipped from our facility. This allows for shipping time so the warranty will go into effect at approximately the same time your equipment is delivered. The warranty protection extends to any subsequent owner during the warranty period.

During the first two years of the warranty period, component parts proven to be non-conforming in materials or workmanship will be repaired or replaced at Thermo's expense, labor included. The ULT Freezers include an additional two year warranty on the compressors, parts only, F.O.B. factory. Installation and calibration is not covered by this warranty agreement. The Technical Services Department must be contacted for warranty determination and direction prior to any work being performed. Expendable items, i.e., glass, filters, pilot lights, light bulbs and door gaskets are excluded from this warranty.

Replacement or repair of component parts or equipment under this warranty shall not extend the warranty to either the equipment or to the component part beyond the original two year warranty period. The Technical Services Department must give prior approval for the return of any components or equipment.

THIS WARRANTY IS EXCLUSIVE AND IN LIEU OF ALL OTHER WARRANTIES, WHETHER WRITTEN, ORAL, OR IMPLIED. NO WARRANTIES OF MERCHANTABILITY OR FITNESS FOR A PARTICULAR PURPOSE SHALL APPLY. Thermo shall not be liable for any indirect or consequential damages including, without limitation, damages relating to lost profits or loss of products.

Your local Thermo Sales Office is ready to help with comprehensive site preparation information before your equipment arrives. Printed instruction manuals carefully detail equipment installation with operation, preventive maintenance and maintenance information on an included CD.

If equipment service is required, please call your Technical Services Department at 1-800-438-4851 (USA and Canada) or 1-740-373-4763. We're ready to answer your questions on equipment warranty, operation, maintenance, service, and special applications. Outside the USA, contact your local Thermo Scientific office or distributor for warranty information.



Rev. 10/14

THERMO FISHER SCIENTIFIC FREEZER INTERNATIONAL DEALER WARRANTY

The Warranty Period starts two months from the date your equipment is shipped from our facility. This allows for shipping time so the warranty will go into effect at approximately the same time your equipment is delivered. The warranty protection extends to any subsequent owner during the warranty period. Dealers who stock our equipment are allowed an additional four months for delivery and installation, providing the warranty is registered online.

During the first two years of the warranty period, component parts proven to be non-conforming in materials or workmanship will be repaired or replaced at Thermo's expense, labor excluded. The ULT Freezers include an additional two year warranty on the compressors, parts only, F.O.B. factory. Installation and calibration is not covered by this warranty agreement. The Technical Services Department must be contacted for warranty determination and direction prior to any work being performed. Expendable items, i.e., glass, filters, pilot lights, light bulbs and door gaskets are excluded from this warranty.

Replacement or repair of component parts or equipment under this warranty shall not extend the warranty to either the equipment or to the component part beyond the original two year warranty period. The Technical Services Department must give prior approval for the return of any components or equipment.

THIS WARRANTY IS EXCLUSIVE AND IN LIEU OF ALL OTHER WARRANTIES, WHETHER WRITTEN, ORAL, OR IMPLIED. NO WARRANTIES OF MERCHANTABILITY OR FITNESS FOR A PARTICULAR PURPOSE SHALL APPLY. Thermo shall not be liable for any indirect or consequential damages including, without limitation, damages relating to lost profits or loss of products.

Your local Thermo Sales Office is ready to help with comprehensive site preparation information before your equipment arrives. Printed instruction manuals carefully detail equipment installation with operation, preventive maintenance and maintenance information on an included CD.

If equipment service is required, please call your local distributor or the Technical Services Department at 1-800-438-4851 (USA and Canada) or 1-740-373-4763. We're ready to answer your questions on equipment warranty, operation, maintenance, service, and special applications. Outside the USA, contact your local Thermo Scientific office or distributor for warranty information.



Re v 10 / 14

Section 12 Regulatory Compliance

Product Safety

This product family has been tested to applicable product standards by UL and TUV SUD, Nationally Recognized Test Laboratories (NRTL).



Fluorinated Gas Refrigerant Service Notes

Compliant with Regulation (EU) No 517/2014 of the European Parliament and of the Council on fluorinated greenhouse gases. This product contains fluorinated greenhouse gases in a hermetically sealed system. If a leak in the sealed system is detected, the operator shall repair without undue delay.

This unit contains fluorinated refrigerants (F-Gases). Because of the nature of F-gasses, for mechanical repair, such as recharge or compressor replacement, should only be carried out by a certified refrigeration technician.

In conformity with Article 14 of Regulation (EU No 517/2014 of the European Parliament and of the Council, a declaration of conformity for F-Gas has been supplied with this unit. Please refer to that document for details regarding our compliance to this regulation.

Electromagnetic Compatibility

FCC Statement (USA)



Any changes or modifications not expressly approved by the party responsible for compliance could void the user's authority to operate the equipment.

Note This equipment has been tested and found to comply with the limits for a Class A digital device, pursuant to part 15 of the FCC Rules. These limits are designed to provide reasonable protection against harmful interference when the equipment is operated in a commercial environment.

Electromagnetic Compatibility

This equipment generates, uses, and can radiate radio frequency energy and, if not installed and used in accordance with the instruction manual, may cause harmful interference to radio communications. Operation of this equipment in a residential area is likely to cause harmful interference in which case the user will be required to correct the interference at his own expense.

Canadian ISED IC Notice

This class B digital apparatus complies with Canadian ICES-001.
Cet appareil numérique de la classe B est conforme à la norme NMB-001 du Canada.

WARNING Statement: EMC Registration is done on this equipment for business use only. It may cause interference when the product would be used in home. This warning statement applies a product for business use.

Evaluation of Chemicals - Regulations and Directives

REACH - Europe

We are committed to meeting all compliance obligations to evaluate, communicate, and register any Substances of Very High Concern (SVHC), and finding alternates where appropriate.

RoHS - Europe

- We are determined to reduce the impact we have on the environment, and so can declare that this product fully complies with the European Parliament's RoHS2 (Restriction of Hazardous Substances) Directive 2011/65/EU, with respect to all the following substances:
 - Lead (0,1 %)
 - Mercury (0,1 %)
 - Cadmium (0,01 %)
 - Hexavalent chromium (0,1 %)
 - Polybrominated biphenyls (PBB) (0,1 %)
 - Polybrominated diphenyl ethers (PBDE) (0,1 %)

2015/863 Annex II (RoHS3, In effect after July 22, 2019)

- Bis(2-ethylhexyl) phthalate (DEHP) (0,1 %)
- Butyl benzyl phthalate (BBP) (0,1 %)
- Dibutyl phthalate (DBP) (0,1 %)
- Diisobutyl phthalate (DIBP) (0,1 %)

Our compliance is witnessed by written declaration from our suppliers and/or component testing. This confirms that any potential trace contamination levels of the substances listed above are below the maximum level set by the latest regulations or are exempt due to their application.

Evaluation of Chemicals - Regulations and Directives (cont.)

RoHS – China

This product complies with the requirements of the legislative act Administration on the Control of Pollution Caused by Electronic Information Products (ACPEIP). A label of conformance, such as one of the following, may be found on the product:



Additional Regulations & Markings

European Union



The European voltages of this product meets all the applicable requirements of the European Directives, and display the CE Marking. An EC declaration of conformity may be obtained from the manufacturer.

End of Life Care

Be sure to follow local regulations when disposing of an old unit. Some suggestions are listed below:

- Remove items and defrost unit. Be sure to clean up any biological safety hazards.
- Remove the cabinet door to help prevent entrapment inside of a unit.
- Have a certified technician remove the refrigerant and compressor, then drain the compressor and oil from the system. Dispose of components following local regulations.

WEEE Compliance

WEEE Compliance. This product is required to comply with the European Union's Waste Electrical & Electronic Equipment (WEEE) Directive 2012/19/EU. It is marked with the following symbol. Thermo Fisher Scientific has contracted with one or more recycling/disposal companies in each EU Member State, and this product should be disposed of or recycled through them. Further information on our compliance with these Directives, the recyclers in your country, and information on Thermo Scientific products which may assist the detection of substances subject to the RoHS Directive are available at www.thermofisher.com/

Great Britain



WEEE Konformität. Dieses Produkt muss die EU Waste Electrical & Electronic Equipment (WEEE) Richtlinie 2012/19/EU erfüllen. Das Produkt ist durch folgendes Symbol gekennzeichnet. Thermo Fisher Scientific hat Vereinbarungen getroffen mit Verwertungs-/Entsorgungsanlagen in allen EU-Mitgliederstaaten und dieses Produkt muss durch diese Firmen wiederverwertet oder entsorgt werden. Mehr Informationen über die Einhaltung dieser Anweisungen durch Thermo Scientific, die Verwerter und Hinweise die Ihnen nützlich sein können, die Thermo Fisher Scientific Produkte zu identifizieren, die unter diese RoHS. Anweisung fallen, finden Sie unter www.thermofisher.com/

Deutschland



Conformità WEEE. Questo prodotto deve rispondere alla direttiva dell'Unione Europea 2012/19/EU in merito ai Rifiuti degli Apparecchi Elettrici ed Elettronici (WEEE), marcato col seguente simbolo. Thermo Fisher Scientific ha stipulato contratti con una o diverse società di riciclaggio/smaltimento in ognuno degli Stati Membri Europei. Questo prodotto verrà smaltito o riciclato tramite queste medesime. Ulteriori informazioni sulla conformità di Thermo Fisher Scientific con queste Direttive, l'elenco delle ditte di riciclaggio nel Vostro paese e informazioni sui prodotti Thermo Scientific che possono essere utili alla rilevazione di sostanze soggette alla Direttiva RoHS sono disponibili sul sito <http://www.thermofisher.com/>

Italia



WEEE Compliance (cont.)

Conformité WEEE. Ce produit doit être conforme à la directive euro-péenne (2012/19/EU) des Déchets d'Equipements Electriques et Electroniques (DEEE). Il est marqué par le symbole suivant. Thermo Fisher Scientific s'est associé avec une ou plusieurs compagnies de recyclage dans chaque état membre de l'union européenne et ce produit devrait être collecté ou recyclé par celles-ci. Davantage d'informations sur la conformité de Thermo Fisher Scientific à ces directives, les recycleurs dans votre pays et les informations sur les produits Thermo Fisher Scientific qui peuvent aider la détection des substances sujettes à la directive RoHS sont disponibles sur <http://www.thermofisher.com/>

France



Cumplimiento de WEEE. Se requiere que este producto cumpla con la Directiva 2012/19 / UE de Desechos de Equipos Eléctricos y Electrónicos (WEEE) de la Unión Europea. Está marcado con el siguiente símbolo. Thermo Fisher Scientific ha contratado a una o más empresas de reciclaje / eliminación en cada Estado miembro de la UE, y este producto debe desecharse o reciclarse a través de ellos. Para obtener más información sobre el cumplimiento de estas Directivas, los recicladores de su país e información sobre los productos Thermo Scientific que pueden ayudar a detectar sustancias sujetas a la Directiva RoHS, visite www.thermofisher.com/

Spanish



Section 12
Regulatory Compliance

Appendix A Handling Liquid Nitrogen



Warning Contact of liquid nitrogen or cold gas with the skin or eyes may cause serious freezing (frostbite) injury. ▲

Caution Handle liquid nitrogen carefully. ▲

The extremely low temperature can freeze human flesh very rapidly. When spilled on a surface the liquid tends to cover it completely and intimately, cooling a large area. The gas issuing from the liquid is also extremely cold. Delicate tissue, such as that of the eyes, can be damaged by an exposure to the cold gas which would be too brief to affect the skin of the hands or face.

Caution Never allow any unprotected part of your body to touch objects cooled by liquid nitrogen. ▲

Such objects may stick fast to the skin and tear the flesh when you attempt to free yourself. Use tongs to withdraw objects immersed in the liquid, and handle the object carefully.

Caution Wear protective clothing. ▲



Protect your eyes with a face shield or safety goggles (safety glasses without side shields do not give adequate protection). Always wear gloves when handling anything that is, or may have been, in immediate contact with liquid nitrogen. Insulated gloves are recommended, but heavy leather gloves may also be used. The gloves should fit loosely, so that they can be thrown off quickly if liquid should splash into them. When handling liquid in open containers, it is advisable to wear high-top shoes. Trousers (which should be cuffless if possible) should be worn outside the shoes.

Introduction

The safe handling and use of liquid nitrogen in cryogenic refrigerators and dewar flasks is largely a matter of knowing the potential hazards and using common-sense procedures based on that knowledge. There are two important properties of liquid nitrogen that present potential hazards:

1. It is extremely cold. At atmospheric pressure, liquid nitrogen boils at -320°F (-196°C).
2. Very small amounts of liquid vaporize into large amounts of gas. One liter of liquid nitrogen becomes 24.6 cu. ft. (700l) of gas.

The safety precautions in this booklet must be followed to avoid potential injury or damage which could result from these two characteristics. Do not attempt to handle liquid nitrogen until you read and fully understand the potential hazards, their consequences, and the related safety precautions. Keep this booklet handy for ready reference and review.

Note Because argon is an inert gas whose physical properties are very similar to those of nitrogen, precautions and safe practices for the handling and use of liquid argon are the same as those for liquid nitrogen. ▲

Use only containers designed for low temperature liquids.

Cryogenic containers are specifically designed and made of materials that can withstand the rapid changes and extreme temperature differences encountered in working with liquid nitrogen. Even these special containers should be filled SLOWLY to minimize the internal stresses that occur when any material is cooled. Excessive internal stresses can damage the container.



Caution Do not cover or plug the entrance opening of any liquid nitrogen refrigerator or dewar. Do not use any stopper or other device that would interfere with venting of gas. ▲

These cryogenic liquid containers are generally designed to operate with little or no internal pressure. Inadequate venting can result in excessive gas pressure which could damage or burst the container. Use only the loose-fitting necktube core supplied or one of the approved accessories for closing the necktube. Check the unit periodically to be sure that venting is not restricted by accumulated ice or frost.

Use proper transfer equipment.

Use a phase separator or special filling funnel to prevent splashing and spilling when transferring liquid nitrogen into or from a dewar or refrigerator. The top of the funnel should be partly covered to reduce splashing. Use only small, easily-handled dewars for pouring liquid. For the larger, heavier containers, use a cryogenic liquid withdrawal device to transfer liquid from one container to another. Be sure to follow instructions supplied with the withdrawal device. When liquid cylinders or other large storage containers are used for filling, follow the instructions supplied with those units and their accessories.

Do not overfill containers.

Filling above the bottom of the necktube (or specified maximum level) can result in overflow and spillage of liquid when the necktube core or cover is placed in the opening.

Never use hollow rods or tubes as dipsticks.

When a warm tube is inserted into liquid nitrogen, liquid will spout from the top of the tube due to gasification and rapid expansion of liquid inside the tube.



Warning Nitrogen gas can cause suffocation without warning! ▲

Caution Store and use liquid nitrogen only in a well-ventilated place. ▲

As the liquid evaporates, the resulting gas tends to displace the normal air from the area. In closed areas, excessive amounts of nitrogen gas reduce the concentration of oxygen and can result in asphyxiation. Because nitrogen gas is colorless, odorless and tasteless, it cannot be detected by the human senses and will be breathed as if it were air. Breathing an atmosphere that contains less than 18% oxygen can cause dizziness and quickly result in unconsciousness and death.

Note The cloudy vapor that appears when liquid nitrogen is exposed to the air is condensed moisture; not the gas itself. The issuing gas is invisible. ▲

Never dispose of liquid nitrogen in confined areas or places where others may enter.

Disposal of liquid nitrogen should be performed outdoors in a safe place. Pour the liquid slowly on gravel or bare earth where it can evaporate without causing damage. Do not pour the liquid on pavement.

Appendix B Handling Liquid CO₂



Warning High concentrations of CO₂ gas can cause asphyxiation! OSHA Standards specify that employee exposure to carbon dioxide in any eight-hour shift of a 40-hour work week shall not exceed the eight-hour time weighted average of 5000 PPM (0.5% CO₂). The short term exposure limit for 15 minutes or less is 30,000 PPM (3% CO₂). Carbon dioxide monitors are recommended for confined areas where concentrations of carbon dioxide gas can accumulate. ▲

Store and use liquid CO₂ only in a well-ventilated place.

As the liquid evaporates, the resulting gas tends to displace the normal air from the area. In closed areas, excessive amounts of CO₂ gas reduce the concentration of oxygen and can result in asphyxiation. Because CO₂ gas is colorless, odorless and tasteless, it cannot be detected by the human senses and will be breathed as if it were air. Breathing an atmosphere that contains less than 18% oxygen can cause dizziness and quickly result in unconsciousness and death.

Note The cloudy vapor that appears when liquid CO₂ is exposed to the air is condensed moisture; not the gas itself. The issuing gas is invisible. ▲

Warning Never dispose of liquid CO₂ in confined areas or places where others may enter. ▲

Disposal of liquid CO₂ should be done outdoors in a safe place. Pour the liquid slowly on gravel or bare earth where it can evaporate without causing damage. Do not pour the liquid on pavement.

Appendix C First Aid

If a person seems to become dizzy or loses consciousness while working with liquid nitrogen or carbon dioxide, move to a well-ventilated area immediately. If breathing has stopped, apply artificial respiration. If breathing is difficult, give oxygen. Call a physician. Keep warm and at rest.

If exposed to liquid or cold gas, restore tissue to normal body temperature (98.6°F) as rapidly as possible, followed by protection of the injured tissue from further damage and infection. Remove or loosen clothing that may constrict blood circulation to the frozen area. Call a physician. Rapid warming of the affected part is best achieved by using water at 108°F. Under no circumstance should the water be over 112°F, nor should the frozen part be rubbed either before or after rewarming. The patient should neither smoke nor drink alcohol.

