



Agilent Technologies

Vacuum Products Division

Inline VHS Sight- Glass Cooling Kit

FIELD INSTRUCTION SHEET

Manual No. 699901018
Revision B
January 2000

Agilent Field Instruction Sheet

Inline VHS Sight Glass Cooling Kit

Parts List

Refer to Figure 1: Cooling Kit.

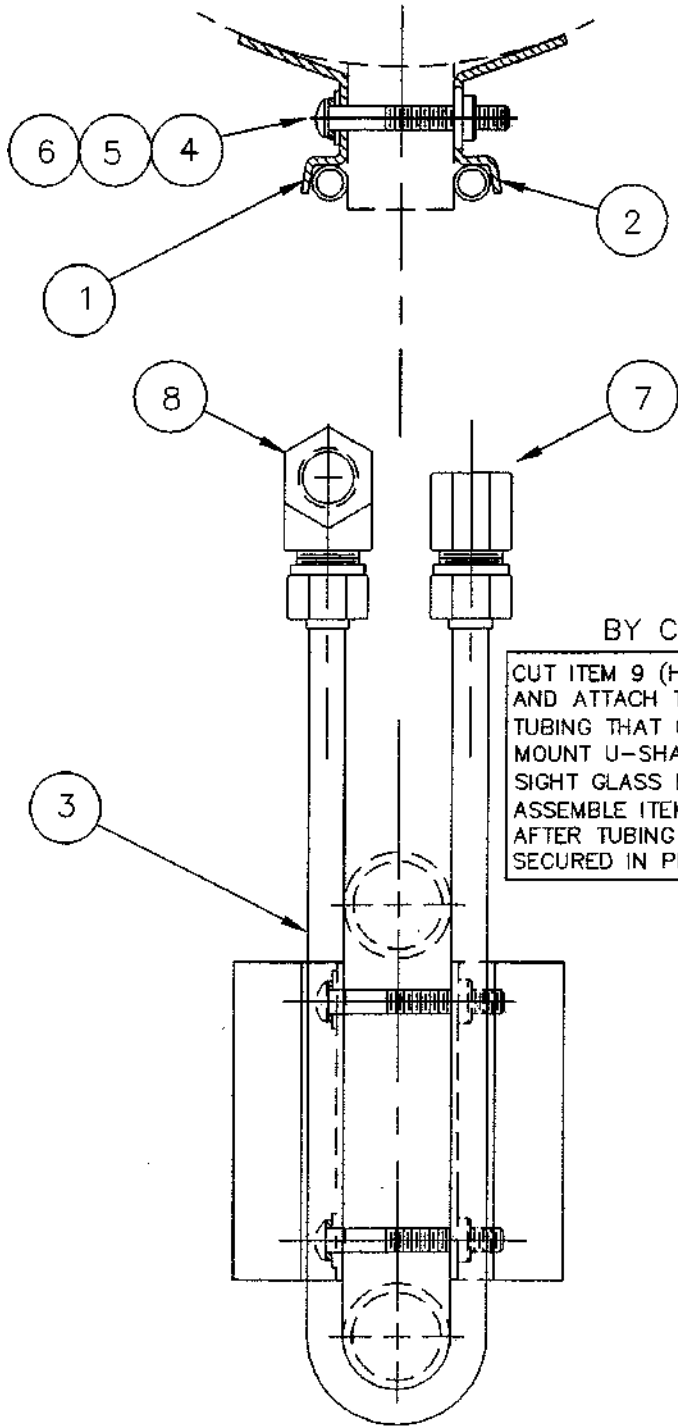
1. Clamping Bracket without PEM Nuts (1)
2. Clamping Bracket with PEM Nuts (1)
3. U-Shaped Sightglass Cooling Tube (1)
4. 1 1/4" Stainless Screw (2)
5. Flat Washers (2)
6. Lock Washers (2)
7. Straight Brass Fitting (1)
8. 90° Elbow Brass Fitting (1)
9. Thermally Conductive Adhesive Transfer Tape
10. Straight Brass Hose Barb (1)
11. 45° Brass Hose Barb (1)
12. Rubber Hose
13. Hose Clamps (2)

Installation Instructions

1. Diffusion pump must be cool enough to touch before installing sightglass cooling kit.
2. Cut thermal tape to lengths as needed to provide good heat transfer to back of sightglass block.
3. Apply thermal tape to U—shaped cooling tube and remove backing from thermal tape.
4. Slide U—shaped cooling tube with tape into position on back of sightglass block and press firmly.
5. Attach the two stainless steel clamping brackets using the stainless steel screws, flat washers and lock washers as shown in the enclosed drawing. (Remove the thermostat cover on the body of the Diffusion Pump if needed for easier access.)
6. Tighten screws in an alternating fashion until both are tight.
7. Attach 90° elbow brass fitting and straight brass fitting to ends of U—shaped cooling tube.
8. Insert 45° brass hose barb into water line inlet fitting on Diffusion Pump.
9. Insert straight brass hose barb into straight brass fitting on end of U—shaped cooling tube.
10. Cut rubber hose to length and slide onto hose barbs.
11. Use hose clamps to secure hose in place.
12. Attach incoming cooling water line to 90° elbow brass fitting and outgoing water line to usual fitting on foreline of Diffusion Pump.



INLINE VHS SIGHTGLASS
COOLING KIT



BY CUSTOMER

CUT ITEM 9 (HEAT TRANSFER TAPE) TO SIZE AND ATTACH TO SURFACES OF U-SHAPED TUBING THAT CONTACT SIGHT GLASS BLOCK. MOUNT U-SHAPED TUBING IN PLACE ON SIGHT GLASS BLOCK. ASSEMBLE ITEMS 7 & 8 TO U-SHAPED TUBING AFTER TUBING AND BRACKETS HAVE BEEN SECURED IN PLACE ON SIGHT GLASS BLOCK.

Figure 1: Cooling Kit



Vacuum Products Division

Instructions for returning products

Dear Customer:

Please follow these instructions whenever one of our products needs to be returned.

- 1) Complete the attached Request for Return form and send it to Agilent Technologies (see below), taking particular care to identify all products that have pumped or been exposed to any toxic or hazardous materials.
- 2) After evaluating the information, Agilent Technologies will provide you with a Return Authorization (RA) number via email or fax, as requested.
Note: Depending on the type of return, a Purchase Order may be required at the time the Request for Return is submitted. We will quote any necessary services (evaluation, repair, special cleaning, eg).
- 3) **Important steps for the shipment of returning product:**
 - Remove all accessories from the core product (e.g. inlet screens, vent valves).
 - Prior to shipment, drain any oils or other liquids, purge or flush all gasses, and wipe off any excess residue.
 - If ordering an Advance Exchange product, **please use the packaging from the Advance Exchange to return the defective product.**
 - Seal the product in a plastic bag, and package product carefully to avoid damage in transit. You are responsible for loss or damage in transit.
 - Agilent Technologies is not responsible for returning customer provided packaging or containers.
 - **Clearly label package with RA number.** Using the shipping label provided will ensure the proper address and RA number are on the package. Packages shipped to Agilent without a RA clearly written on the outside cannot be accepted and will be returned.
- 4) Return only products for which the RA was issued.
- 5) **Product being returned under a RA must be received within 15 business days.**
- 6) **Ship to the location specified on the printable label, which will be sent, along with the RA number, as soon as we have received all of the required information.** Customer is responsible for freight charges on returning product.
- 7) Return shipments must comply with all applicable **Shipping Regulations** (IATA, DOT, etc.) and carrier requirements.



Please read important policy information on Page 3 that applies to all returns.

1) CUSTOMER INFORMATION

Company Name:		Contact Name:	
Tel:	Email:	Fax:	
Customer Ship To:		Customer Bill To:	
Europe only: VAT reg. Number:		USA/Canada only: <input type="checkbox"/> Taxable <input type="checkbox"/> Non-taxable	

2) PRODUCT IDENTIFICATION

Product Description	Agilent P/N	Agilent S/N	Original Purchasing Reference

3) TYPE OF RETURN (Choose one from each row and supply Purchase Order if requesting a billable service)

- 3A. Non-Billable Billable **➔** New PO # (hard copy must be submitted with this form):
- 3B. Exchange Repair Upgrade Consignment/Demo Calibration Evaluation Return for Credit

4) HEALTH and SAFETY CERTIFICATION

AGILENT TECHNOLOGIES CANNOT ACCEPT ANY PRODUCTS CONTAMINATED WITH BIOLOGICAL OR EXPLOSIVE HAZARDS, RADIOACTIVE MATERIAL, OR MERCURY AT ITS FACILITY.

Call Agilent Technologies to discuss alternatives if this requirement presents a problem.

The equipment listed above (check one):

- HAS NOT** pumped or been exposed to any toxic or hazardous materials. OR
- HAS** pumped or been exposed to the following toxic or hazardous materials. If this box is checked, the following information must also be filled out. Check boxes for all materials to which product(s) pumped or was exposed:

- Toxic Corrosive Reactive Flammable Explosive Biological Radioactive

List all toxic/hazardous materials. Include product name, chemical name, and chemical symbol or formula:

NOTE: If a product is received at Agilent which is contaminated with a toxic or hazardous material that was not disclosed, **the customer will be held responsible** for all costs incurred to ensure the safe handling of the product, and **is liable** for any harm or injury to Agilent employees as well as to any third party occurring as a result of exposure to toxic or hazardous materials present in the product.

Print Name: _____ **Authorized Signature:** **Date:** _____

5) FAILURE INFORMATION:

Failure Mode (REQUIRED FIELD. See next page for suggestions of failure terms):
Detailed Description of Malfunction: (Please provide the error message)
Application (system and model):

I understand and agree to the terms of Section 6, Page 3/3.

Print Name: _____ **Authorized Signature:** **Date:** _____



**Vacuum Products Division
Request for Return Form
(Health and Safety Certification)**

Please use these Failure Mode to describe the concern about the product on Page 2.

TURBO PUMPS and TURBO CONTROLLERS

APPARENT DEFECT/MALFUNCTION	POSITION	PARAMETERS
- Does not start - Does not spin freely - Does not reach full speed - Mechanical Contact - Cooling defective	- Noise - Vibrations - Leak - Overtemperature - Clogging	- Vertical - Horizontal - Upside-down - Other: Power: Rotational Speed: Current: Inlet Pressure: Temp 1: Foreline Pressure: Temp 2: Purge flow: OPERATING TIME:

ION PUMPS/CONTROLLERS

- Bad feedthrough - Vacuum leak - Error code on display	- Poor vacuum - High voltage problem - Other
---	--

VALVES/COMPONENTS

- Main seal leak - Solenoid failure - Damaged sealing area	- Bellows leak - Damaged flange - Other
--	---

LEAK DETECTORS

- Cannot calibrate - Vacuum system unstable - Failed to start	- No zero/high background - Cannot reach test mode - Other
---	--

INSTRUMENTS

- Gauge tube not working - Communication failure - Error code on display	- Display problem - Degas not working - Other
--	---

SCROLL AND ROTARY VANE PUMPS

- Pump doesn't start - Doesn't reach vacuum - Pump seized	- Noisy pump (describe) - Over temperature - Other
---	--

DIFFUSION PUMPS

- Heater failure - Doesn't reach vacuum - Vacuum leak	- Electrical problem - Cooling coil damage - Other
---	--

Section 6) **ADDITIONAL TERMS**

Please read the terms and conditions below as they apply to all returns and are in addition to the Agilent Technologies Vacuum Product Division – Products and Services Terms of Sale.

- Customer is responsible for the freight charges for the returning product. Return shipments must comply with all applicable **Shipping Regulations** (IATA, DOT, etc.) and carrier requirements.
- Customers receiving an Advance Exchange product agree to return the defective, rebuildable part to Agilent Technologies **within 15 business days**. Failure to do so, or returning a non-rebuildable part (crashed), will result in an invoice for the non-returned/non-rebuildable part.
- Returns for credit toward the purchase of new or refurbished Products are subject to prior Agilent approval and may incur a restocking fee. Please reference the original purchase order number.
- Units returned for evaluation will be evaluated, and a quote for repair will be issued. If you choose to have the unit repaired, the cost of the evaluation will be deducted from the final repair pricing. A Purchase Order for the final repair price should be issued within 3 weeks of quotation date. Units without a Purchase Order for repair will be returned to the customer, and the evaluation fee will be invoiced.
- A Special Cleaning fee will apply to all exposed products per Section 4 of this document.
- If requesting a calibration service, units must be functionally capable of being calibrated.

Inline VHS SightGlass Cooling Kit

This page intentionally left blank.

