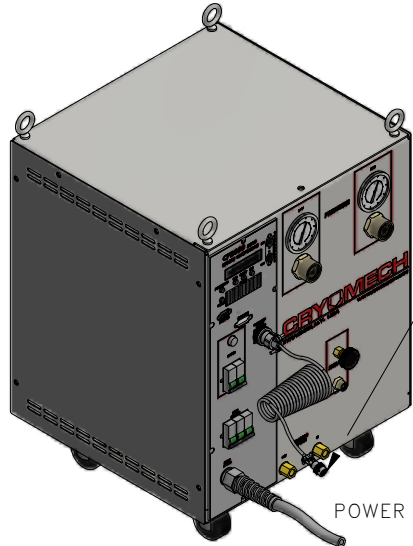
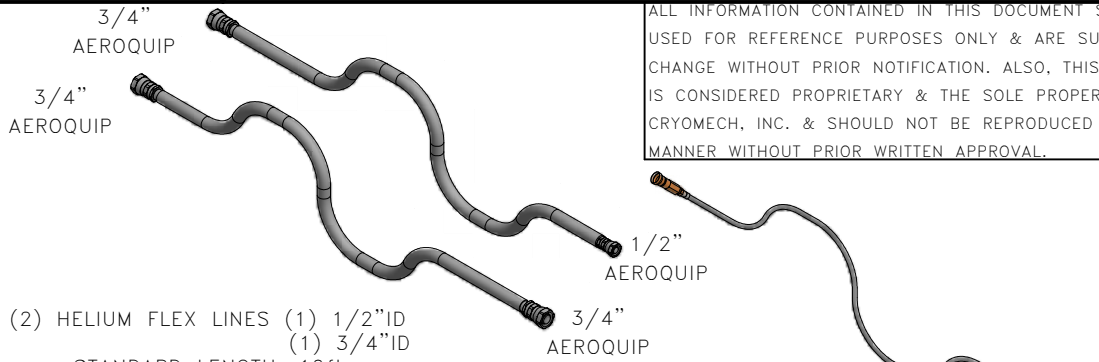


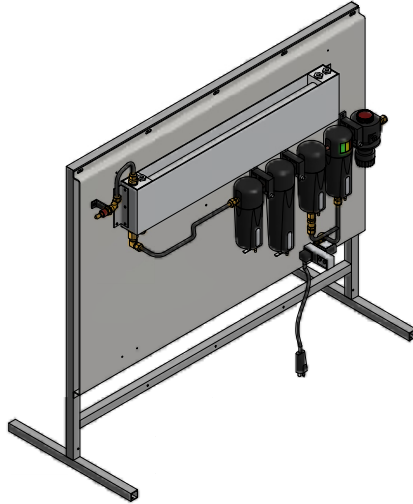
ALL INFORMATION CONTAINED IN THIS DOCUMENT SHOULD BE USED FOR REFERENCE PURPOSES ONLY & ARE SUBJECT TO CHANGE WITHOUT PRIOR NOTIFICATION. ALSO, THIS DOCUMENT IS CONSIDERED PROPRIETARY & THE SOLE PROPERTY OF CRYOMECH, INC. & SHOULD NOT BE REPRODUCED IN ANY MANNER WITHOUT PRIOR WRITTEN APPROVAL.



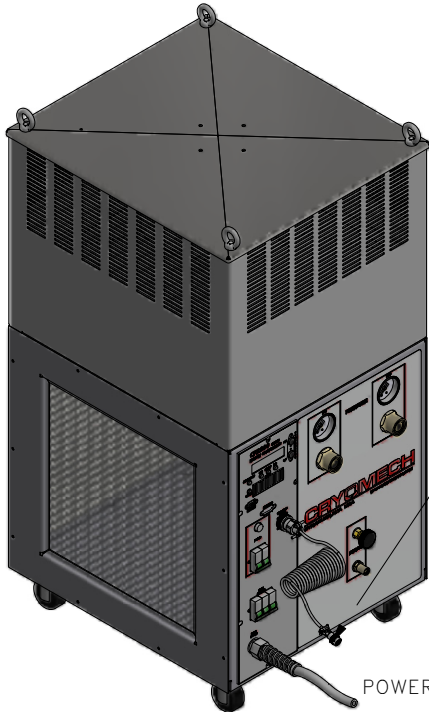
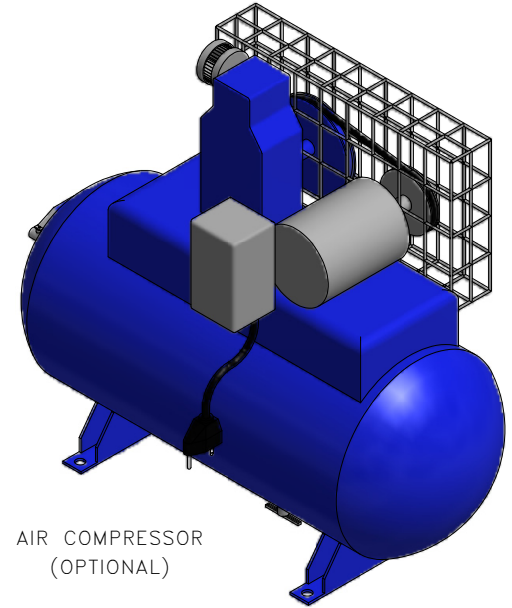
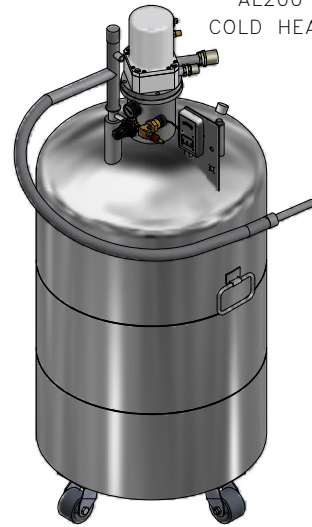
COLD HEAD MOTOR CORD (SAME LENGTH AS FLEX LINES)



POWER CORD

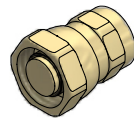
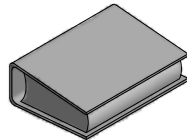


AL200 COLD HEAD



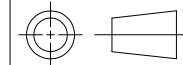
COLD HEAD MOTOR CORD (SAME LENGTH AS FLEX LINES)

POWER CORD



ECN	ZONE	REV	DESCRIPTION	DATE
3072	-	C	ADDED CP2800 COMPRESSOR PACKAGE	15MAY13
2682	-	B	UPDATED COMPRESSOR SIDE PANELS	23FEB12
1419	-	A	SEE ECN 1419	03JUL07

THIRD ANGLE PROJECTION



CRYOMECH, INC

113 FALSO DRIVE SYRACUSE, N.Y. 13211
Tel: (315)455-2555 Fax:(315)455-2544

ALL DIMENSIONS ARE IN INCHES
TOLERANCES: FRACTIONS ±1/32 DECIMALS XXX=±.005 XX=±.01 X=±.1
ANGLES ±.5° ALLOVER FINISH 25 Ra
CONCENTRICITY .005 TOTAL INDICATOR RUN OUT
PERPENDICULAR ±.002 (UNLESS OTHERWISE SPECIFIED)

NAME: LNP40 LIQUID NITROGEN PLANT

DWG #: LNP40 SYSTEM

SHT 1 OF 1

MATERIAL: AS STATED

DWN BY: BL DATE: 18AUG04

SCALE: TO FIT

DWG SIZE: A

1ST CHK: RED DATE: 26AUG04

2ND CHK: NLO DATE: 26AUG04

CUST:

BTA: