



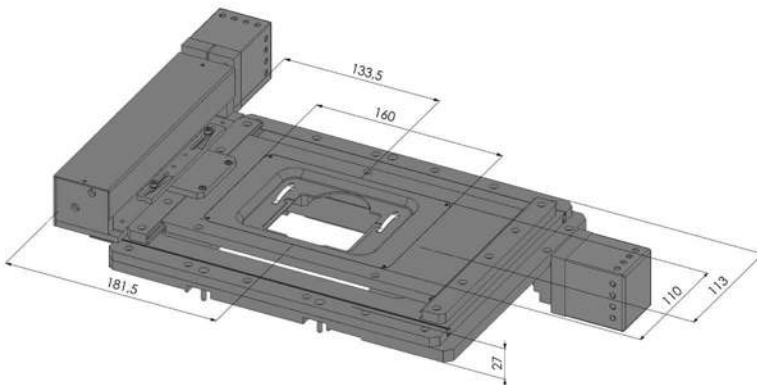
Scanning Stage SCAN IM 130 × 100

for Zeiss Axiovert 35 / 100 / 135 / 135 M / 200 M / 200 MAT / 200 M MAT

Specifications

| | |
|--------------------|---|
| Travel range | max. 130 × 100 mm |
| Travel speed | max. 60 mm/s (with 1 mm ball screw pitch) |
| Repeatability | < 1 µm ¹ (bi-directional) |
| Accuracy | ±3 µm ¹ |
| Resolution | 0.01 µm (smallest step size) |
| Orthogonality | < 10 arcsec |
| Motor type | 2-phase stepper motor |
| Limit switches | mechanical limit switches |
| Material / surface | aluminium / anodic coating, black lacquered |
| Weight | approx. 4.3 kg |

Dimensions



Order Information

Order No.: 00-24-546-0000
(1 mm ball screw pitch)

Product Features

- ▶ exchangeable stage inserts for different kinds of applications
- ▶ continuously adjustable travel range limitation for individual adjustment of travel range for different applications
- ▶ integrated electronic stage identification device ETS for automatic identification of the scanning stage and parametrization of the controller
- ▶ **5 years guarantee**, if the scanning stage is operated in the system with the Märzhäuser TANGO controller

Accessories

Stage insert for 1 slide 3" × 1"
(included in delivery)

Order No.: 00-29-411-8010

Piezo Z-stage

Order No.: 00-55-550-0800