



Agilent Technologies

Vacuum Products Division

CE

VHS-10 & VHS-400 Diffusion Pumps

Part No. 699901023

Rev. N

February 2018

VHS-10 & VHS-400 Diffusion Pumps



Santovac[®] 5 Diffusion Pump Fluid of SANTOVAC FLUIDS, INC.

Viton[®] is a registered trademark of E. I du Pont de Nemours and Company.

Warranty

Products manufactured by Seller are warranted against defects in materials and workmanship for twelve (12) months from date of shipment thereof to Customer, and Seller's liability under valid warranty claims is limited, at the option of Seller, to repair, replacement, or refund an equitable portion of the purchase price of the Product. Items expendable in normal use are not covered by this warranty. All warranty replacement or repair of parts shall be limited to equipment malfunctions which, in the sole opinion of Seller, are due or traceable to defects in original materials or workmanship. All obligations of Seller under this warranty shall cease in the event of abuse, accident, alteration, misuse, or neglect of the equipment. In-warranty repaired or replaced parts are warranted only for the remaining unexpired portion of the original warranty period applicable to the repaired or replaced parts. After expiration of the applicable warranty period, Customer shall be charged at the then current prices for parts, labor, and transportation.

When products are used with toxic chemicals, or in an atmosphere that is dangerous to the health of humans, or is environmentally unsafe, it will be the responsibility of the Customer to have the product cleaned by an independent agency skilled and approved in handling and cleaning contaminated materials before the product will be accepted by Agilent, Inc. for repair and/or replacement.

Reasonable care must be used to avoid hazards. Seller expressly disclaims responsibility for loss or damage caused by use of its Products other than in accordance with proper operating procedures.

Except as stated herein, Seller makes no warranty, express or implied (either in fact or by operation of law), statutory or otherwise; and, except as stated herein, Seller shall have no liability under any warranty, express or implied (either in fact or by operation of law), statutory or otherwise. Statements made by any person, including representatives of Seller, which are inconsistent or in conflict with the terms of this warranty shall not be binding upon Seller unless reduced to writing and approved by an officer of Seller.

Disclaimer

Operation and maintenance of this equipment involves serious risk. It is the responsibility of the user to maintain safe operating conditions at all times. Agilent assumes no liability for personal injury or damage resulting from operation or service of the equipment.

Agilent has no control over the use of this equipment and is not responsible for personal injury or damage resulting from its use. The safe use and disposal of hazardous or potentially hazardous materials of any kind is the sole responsibility of the user. Observe all WARNINGS and CAUTIONS to minimize the serious hazards involved.

It is the sole responsibility of the users of Agilent equipment to comply with all local, state and federal safety requirements (laws and regulations) applicable to their system. Employ the services of an industrial hygienist and/or a qualified chemical safety engineer in order to ensure safe installation and use.

Warranty Replacement and Adjustment

All claims under warranty must be made promptly after occurrence of circumstances giving rise thereto, and must be received within the applicable warranty period by Seller or its authorized representative. Such claims should include the Product serial number, the date of shipment, and a full description of the circumstances giving rise to the claim. Before any Products are returned for repair and/or adjustment, written authorization from Seller or its authorized representative for the return and instructions as to how and where these Products should be returned must be obtained. Any Product returned to Seller for examination shall be prepaid via the means of transportation indicated as acceptable by Seller. Seller reserves the right to reject any warranty claim not promptly reported and any warranty claim on any item that has been altered or has been returned by non-acceptable means of transportation. When any Product is returned for examination and inspection, or for any other reason, Customer shall be responsible for all damage resulting from improper packing or handling, and for loss in transit, notwithstanding any defect or non-conformity in the Product. In all cases, Seller has the sole responsibility for determining the cause and nature of failure, and Seller's determination with regard thereto shall be final.

If it is found that Seller's Product has been returned without cause and is still serviceable, Customer will be notified and the Product returned at its expense; in addition, a charge for testing and examination may be made on Products so returned.

Contents

Documentation Conventions	11
Diffusion Pump Hazards	11
Introduction	19
Operating Characteristics	19
Pump Air Speed and Throughput	23
Physical Specifications	24
Wiring Diagram	26
Installation	27
Unpacking	27
Pump Oil Installation	28
Vacuum System Connections	28
Cooling Water Connections	29
Electrical Connections	30
Thermal Switch Connections	31
Operation	33
Startup Procedure	34
Shutdown Procedure	34
Troubleshooting	35
Leakage	35
Outgassing	35
Poor Pump or System Performance	36
Appendix A. Maintenance	39
Periodic Inspections	39
Cleaning	40
Disassembly and Reassembly Procedures	41
Appendix B. Parts	47
Replacement Parts	47

This page intentionally left blank.

List of Figures

1-1	VHS-10 Speed and Throughput Curves	23
1-2	VHS-400 Speed and Throughput Curves	23
1-3	VHS-10 and VHS-400 Outline with ASA Flanges	24
1-4	Operating Characteristics	26
A-1	VHS-10 and VHS-400 Jet Assembly	42
A-2	VHS-10 and VHS-400 Heater Connections	43
A-3	Solid Steel and Slotted Stainless Clamp Plate	44
A-4	Fill and Drain Assemblies	45

This page intentionally left blank.

List of Tables

1	General Hazards.....	12
2	Explosive Conditions.....	14
3	Pressurization Hazards.....	15
1-1	VHS-10 Operating Specifications.....	19
1-2	VHS-400 Operating Specifications.....	21
1-3	VHS-10 and VHS-400 Dimensions	24
4-1	Troubleshooting Guide	36
B-1	Replacement Parts	47

This page intentionally left blank.

Preface

Documentation Conventions

This manual uses the following documentation conventions:

WARNING



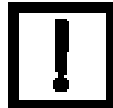
Warnings indicate a particular procedure or practice, which if not followed correctly, could lead to serious injury.

CAUTION



Cautions indicate a particular procedure or practice, which if not followed, could cause damage to the equipment.

NOTE



Notes contain important information.

Before operating or servicing equipment, read and thoroughly understand all operation/maintenance manuals provided by Agilent. Be aware of the hazards associated with this equipment, know how to recognize potentially hazardous conditions, and how to avoid them. Read carefully and strictly observe all cautions and warnings. The consequences of unskilled, improper, or careless operation of the equipment can be serious.

In addition, consult local, state, and national agencies regarding specific requirements and regulations. Address any safety, operation, and/or maintenance questions to your nearest Agilent office.

Diffusion Pump Hazards

Designers of systems utilizing diffusion pumps must design out hazards wherever possible. For hazards that cannot be designed out, warnings, procedures, and instructions on proper use and servicing are provided. Please use guards, safety features, and interlocks as recommended.

Refer to Table 1 for a list of general hazards and recommended actions, Table 2 on page 14 for a list of prohibited actions that can result in explosions, and Table 3 on page 15 for a list of pressurization hazards that can result in damage to equipment.

VHS-10 & VHS-400 Diffusion Pumps

The installation, operation, and servicing of diffusion pumps involves one or more of the hazards in 1, any one of which in the absence of safe operating practices and precautions, could potentially result in death or serious harm to personnel.

Table 1 General Hazards

Hazard	Suggested Corrective Action
Loss of utility: water and/or electricity	Provide sufficient backup water and power supply as necessary to effect a safe shutdown under worst case conditions
Overpressure in foreline	Provide an interlock to ensure that the power supply to the pump heater cannot be activated if the foreline pump is not running and/or the pressure in foreline is above 0.5 Torr (0.38 mbar; 66.5 Pa)
Overtemperature	Fit temperature sensors and pump fluid level sensors with a feedback to an interlock on the heater power supply
Insufficient water flow through the main cooling coils	Use water flow sensor and feedback to interlock the heater power supply
Water trapped between inlet and outlet of Quick Cool coil, or liquid nitrogen trapped between inlet and outlet of liquid nitrogen trap	Provide vent or pressure relief valves for both Quick Cool coil and liquid nitrogen trap
Loss of electrical ground integrity	Incorporate ground fault interrupt circuit into heater power supply
Positive pressure in pumping system	Integrate pressure relief valve in vacuum system
High voltage	Prevent personnel contact with high voltages; design and attach warnings
Toxicity and Corrosivity	Vent toxic and/or corrosive gases to a safe location; ensure adequate dilution or scrubbing to safe levels; take all actions required to meet air quality standards
Explosion	Integrate pressure relief valves
	Do not use hydrocarbon-based pumping fluids

Explosion

- ❑ Operation of the diffusion pump without continuous evacuation below 0.5 Torr (0.67 mbar; 66.5 Pa), or without coolant and introducing a strong oxidizer (such as air) or explosive vapors or powders or materials which may react with pumping fluids in a hot pump (above 300 °F or 150 °C) can cause an explosion. Such an explosion can violently expel valves and other hardware, slam open doors that are not designed for appropriate pressure relief, or burst other components of the vacuum system. Serious injury or death may result from expelled parts, doors, shrapnel, and shock waves.
- ❑ *Three elements are required for explosion: fuel, oxidizer, and an ignition.* A combination of temperature and pressure can be a source of ignition. Most diffusion pump fluids are fuels. Hydrocarbon fluids are more prone to oxidize and explode than synthetic silicone-based fluid. The oxidizer can be air, which can be introduced by a leak, deliberately brought in via a process, or inadvertently admitted by operator error.
Oxygen and other strong oxidizers are even more dangerous than air. Certain conditions of temperature and pressure can cause a combustible mixture to explode. The larger the diffusion pump, the greater the risk of explosion and the greater the risk of damage and injury. Never operate large diffusion pumps utilizing hydrocarbon oils without a complete safety analysis for the entire system and for the application.
- ❑ *Explosion and Fire from Acetone and Alcohol:* Diffusion pumps are typically cleaned with acetone and alcohol. When combined with air, oxygen, and other oxides, alcohol and most other solvents are very flammable and explosive. Never permit any trace of these cleaners to remain in or on the pump. Always remove all traces of alcohol and acetone and other cleaners with clean, dry, oil-free compressed air.

VHS-10 & VHS-400 Diffusion Pumps

Never operate a large diffusion pump under the conditions listed in Table 2. Any of these situations increases the probability of an explosion.

Table 2 Explosive Conditions

Prohibited Action	Explosion-Causing Condition
Do not run pump without cooling water	Overtemperature
Do not run pump with low level of pump fluid	Overtemperature
Do not run pump without proper backing or holding pump	Overpressure
Do not run pump when not evacuated below 0.5 Torr (0.66 mbar; 66.5 Pa)	Overpressure
Do not admit air to, or rough through, a pump with hot boiler	Overpressure plus strong oxidizer
Do not open drain or fill plug while pump is under vacuum, especially when it is hot	Overpressure plus strong oxidizer
Do not contaminate pump with explosive vapors	Lower explosive threshold of gas mixtures
Do not remove, defeat, or override safety counter-measures such as pressure and thermal switches and valve sequencer interlocks	Overtemperature, overpressure, more combustible mixtures
Do not machine or weld any part of the pump without removing all fluid or solvent residue in pump	Source of ignition
Do not use unsuitable pumping fluid	Lower explosive threshold of gas mixture

Pressurization Hazards

Large vacuum pumps and their components are designed for vacuum service. They are not designed for pressurization, which could cause them to burst possibly expelling shrapnel at lethal velocities. Serious accidents have been caused by intentional pressurization of vacuum systems and their components.

- ❑ Never pressurize any part of a vacuum system for test or any other purpose.
- ❑ Always provide pressure relief when designing diffusion pumps into systems and ensure that pressure relief motion is limited to safe envelopes.
- ❑ Never permit the hazards in Table 3 to develop.

Table 3 Pressurization Hazards

Prohibited Action	Result
Do not block inlet or vent of liquid nitrogen trap and lines	LN ₂ trap and/or lines burst
Do not close isolation valves at inlet and discharge of main water cooling coils when pump is heated	Water turns to steam and bursts coils
Do not pressurize the pump body (above 1 atm.)	Body of pump bursts
Do not make a hole through the vacuum wall	Loss of structural integrity of wall

- ❑ *Pressure Relief Devices:* Systems must be designed with pressure relief devices to provide safe pressure relief from internal explosions. Always recognize that safety devices can fail or malfunction. Provide redundant protection by installing devices having different failure modes, failure mechanisms, and failure causes. Be certain that exhaust duct materials are capable of withstanding the corrosiveness, temperature, and pressure of exhausted products.

Dangerous Substances

- ❑ *Chemical Dangers of Acetone and Alcohol:* Diffusion pumps are typically cleaned with acetone or alcohol. Acetone, alcohol, and most other solvents are irritants, narcotics, and depressants, and/or carcinogenic. Their inhalation and ingestion may produce serious effects. Even absorption through the skin can result in moderate toxicity. Always ensure that cleaning operations are performed in large, well-ventilated rooms. Use of self-contained breathing apparatus may be necessary, depending upon the solvent type and vapor concentration in surrounding air.
- ❑ *Poisonous and Corrosive Compounds:* When pumping poisonous, reactive, and/or corrosive gas, vapors, or chemicals, proper operation and regeneration do not always ensure that all hazardous materials have been totally removed. If hazardous gas, vapors, chemicals, or combustible mixtures are pumped, sufficient quantities may exist during operation or remain after regeneration to cause severe injury or death.

VHS-10 & VHS-400 Diffusion Pumps

- ❑ *Pump Fluids:* Overheating the pump fluid, exposing it to air or reactive materials, or over-pressurizing it above the normal operating range, approximately 1×10^{-3} Torr (1.3×10^{-3} mbar) decomposes the fluid and possibly makes it toxic. This is especially true of backstreamed mechanical pump fluids which are more volatile (unstable). Overheating of accidentally introduced or backstreamed mechanical pump fluids cannot be protected against by thermal switches which are set for diffusion pump fluid.
- ❑ *Process Gasses:* Process gasses are frequently toxic, flammable, corrosive, explosive, or otherwise reactive. Agilent has no control over the types of gasses passing through the user's diffusion pump as these are entirely under the control of the process user and/or the hardware systems integrator. Since these gasses can cause serious injury or death, it is very important to plumb the exhaust of the pump to the facility's hazardous gas exhaust system which incorporates appropriate filters, scrubbers and similar components to ensure that the exhaust meets all air and water pollution control regulations.

High Temperatures

- ❑ *Hot Surfaces:* Boiler temperatures reach 530 °F (275 °C) which can cause serious burns. Always ensure that surfaces have cooled to near room temperature before touching them.
- ❑ *Hot Cooling Water and Steam:* The water used to cool the pump can reach scalding temperatures. Touching or rupture of the cooling surface can cause serious burns. Water left inside Quick Cool coils from previous use turns to steam when the pump is reheated. This steam must be allowed to escape without contacting personnel. Whenever possible, design the water system with interlock valves so that power cannot be applied to the pump unless water is flowing in the main cooling coils (not Quick Cool coils).

Cold Surfaces

Liquid nitrogen cooled traps are commonly used in diffusion pumps. Metal surfaces at liquid nitrogen temperature can cause severe frostbite. These surfaces remain cold in excess of 30 minutes after liquid nitrogen evaporation.

Cold Coolant

Liquid nitrogen, a cryogenic liquid, is used in traps. If it is splashed on body tissues or eyes, it can cause severe frostbite or blindness. The extremely low temperature of liquefied nitrogen can cause skin damage similar to high temperature burns. Contact with the cold gas evolving from the liquid can produce the same effect. Delicate tissues, such as the eye tissues, are most easily damaged by exposure to cold gas or liquid. To minimize the risk of hazardous contact of cold gaseous nitrogen with any part of the body, wear personal safety equipment recommended for use with cryogenic materials, including:

- ❑ Face shield
- ❑ Full-sleeved lab coat
- ❑ Clean, dry gloves which fit loosely so they can be thrown off quickly if frozen by contact with the gas.

High Voltages

Diffusion pump heaters operate at voltages (up to 480 V) high enough to kill. Design systems to prevent personnel contact with high voltages. Securely attach prominent hazard warnings. Personnel should always break the primary circuit to the power supply when direct access to the heater or wiring is required.

Large Equipment and Heavy Weights

The lifting and moving of large diffusion pumps requires power-assisted equipment and the use of trained moving and installation personnel to avoid dropping, slipping, and overturning the pump. Pumps weigh in excess of 180 lbs (81 kg) and are 3 to 6 feet in their largest dimension (1 to 2 meters). Their mishandling can cause severe injury. Check the weight of the equipment before lifting and assure that the power-assist device is adequate for the task. Do not stand under the equipment being lifted and moved.

Asphyxiation

Death from suffocation can result if a large amount of liquid nitrogen is spilled in a small, poorly ventilated room or equipment. All diffusion pumps are typically cleaned with acetone or alcohol. Acetone, alcohol, and most other solvents are very volatile (unstable). During cleaning, the volatility of these cleaners may permit their gases to displace air and its life-supporting oxygen which could cause death or serious injury by asphyxiation. Always ensure that cleaning operations are performed in large, well-ventilated areas.

This page intentionally left blank.

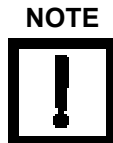
Introduction

This chapter consists of:

- “Operating Characteristics”
- “Pump Air Speed and Throughput” on page 23
- “Physical Specifications” on page 24
- “Wiring Diagram” on page 26

Operating Characteristics

The operating characteristics and physical specifications of the VHS-10 and VHS-400 diffusion pumps are given in Table 1-1 and Table 1-2 on page 21. The graphs in Figure 1-1 through Figure 1-2 on page 23 show air speed and throughput as a function of inlet pressure. The dimensions of the inlet flange that connects to the system to be evacuated are given in Table 1-3 on page 24.



The data in Table 1-1 on page 19 refers to pumps charged with DC-704 diffusion pump fluid.

Table 1-1 VHS-10 Operating Specifications

Specification	Units	4400 W	5100 W
Optimum Operating Range	Torr mbar	1×10^{-3} to $< 5 \times 10^{-9}$ 1.3×10^{-3} to $< 6.5 \times 10^{-9}$	1.5×10^{-3} to $< 5 \times 10^{-9}$ 2×10^{-3} to $< 6.5 \times 10^{-9}$
Pumping Speed, Maximum	l/s, Air l/s, Helium	5300 with std cold cap 4200 with extended cold cap 6600 with std cold cap 5200 with extended cold cap	5300 with std cold cap 4200 with extended cold cap 6600 with std cold cap 5200 with extended cold cap
Throughput (Air), Max. Overload Range @ 1×10^{-2} Torr (1.3×10^{-2} mbar)	Torr-l/s mbar-l/s	7.7 10.2	8.1 10.8

VHS-10 & VHS-400 Diffusion Pumps

Table 1-1 VHS-10 Operating Specifications (Continued)

Specification	Units	4400 W	5100 W
Forepressure, Max. No Load	Torr mbar		0.65 0.87
Full Load	Torr mbar		0.55 0.73
Backstreaming Rate at Pump Inlet (within Optimum Operating Range)	mg/cm ² /min	5.0x10 ⁻⁴ (with std cold cap) 1.0x10 ⁻⁴ (with extended cold cap)	
Electrical Requirements AC, 50/60 Hz, 3 phase	V	208, 240, 380, 480	
Cooling Water Flowrate @ Inlet Temperature of 60 to 80 °F (120 °F max.)	gpm (US)	.5	
Warmup Time	minutes	12	
Cooldown Time Without Quick Cool With Quick Cool	minutes	65 22	67 25
Fluid Charge	cc	1000	
Recommended backing pump capacity*	cfm	30	
		*Recommended sizes when operating at maximum throughput.	
Pressure drop across coils	psi	5	
Heater circuit resistance Nominal at room temperature	Ohms	L1-L2/L2-L3/L1-L3	L1-L2/L2-L3/L1-L3
		18.7/18.7/37.4 at 208 V	16.1/16.1/32 at 208 V
		24.9/24.9/49.8 at 240 V	21.5/21.5/43 at 240 V
		62.4/62.4/124.8 at 380 V	53.8/53.8/107.6 at 380 V
		99.5/99.5/199.0 at 480 V	85.8/85.8/171.6 at 480 V
Weight	lbs (kg)	150 (68)	
Jet assembly		4-stage, self-aligning aluminum	
Foreline baffle		Stacked self-aligning half moon	
Water connections		1/8" FPT	

VHS-10 & VHS-400 Diffusion Pumps

Table 1-1 VHS-10 Operating Specifications (Continued)

Specification	Units	4400 W	5100 W
Thermal switches		Manual reset at 300 °F (148.9 °C)	
Clearance (for heater removal)		6" minimum	
Materials		Body, flanges, foreline baffle - stainless steel Body cooling coils - copper Quick Cool coil - stainless steel Cold cap - nickel-plated copper	
Environmental		Maximum ambient temperature 113 °F (45 °C)	
Installation		Indoor use, Installation Category 2, Pollution Degree 2	
Altitude		6562' (2000 m)	

Table 1-2 VHS-400 Operating Specifications

Specification	Units	4400 W
Optimum Operating Range	Torr mbar	1×10^{-3} to $< 5 \times 10^{-9}$ 1.3×10^{-3} to $< 6.5 \times 10^{-9}$
Pumping Speed, Maximum	l/s, Air	8000 with std cold cap
Throughput (Air), Max. Overload Range @ 1×10^{-2} Torr (1.33×10^{-3} mbar)	Torr-l/s mbar-l/s	8 10.6
Forepressure, Max. (5 Torr l/s (1.33×10^{-3} mbar))		
No Load	Torr mbar	0.65 0.87
Full Load	Torr mbar	0.55 0.73
Backstreaming Rate at Pump Inlet (within Optimum Operating Range)	mg/cm ² /min	$< 1.0 \times 10^{-3}$ (with std cold cap)
Electrical Requirements AC, 50/60 Hz, 3 phase	V	208, 240, 380, 480
Cooling Water Flowrate @ Inlet Temperature of 60 to 80 °F (120 °F max.)	gpm (US)	.5

VHS-10 & VHS-400 Diffusion Pumps

Table 1-2 VHS-400 Operating Specifications (Continued)

Specification	Units	4400 W
Warmup Time	minutes	17
Cooldown Time Without Quick Cool With Quick Cool	minutes	65 22
Fluid Charge	cc	1000
Recommended backing pump capacity*	cfm	30
	*Recommended sizes when operating at maximum throughput.	
Pressure drop across coils	psi	6
Heater circuit resistance Nominal at room temperature	Ohms	L1-L2/L2-L3/L1-L3
		18.7/18.7/37.4 at 208 V
		24.9/24.9/49.8 at 240 V
		62.4/62.4/124.8 at 380 V
		99.5/99.5/199.0 at 480 V
Weight	lbs (kg)	180 (81)
Jet assembly		4-stage, self-aligning aluminum
Foreline baffle		Stacked self-aligning half moon
Water connections		1/8" FPT
Thermal switches		Manual reset at 300 °F (148.9 °C)
Clearance (for heater removal)		6" minimum
Materials		<input type="checkbox"/> Body - stainless steel <input type="checkbox"/> Flanges, foreline baffle - stainless steel <input type="checkbox"/> Body cooling coils - copper <input type="checkbox"/> Quick cooling coil - stainless steel <input type="checkbox"/> Cold cap - nickel-plated copper
Environmental		Maximum ambient temperature 113 °F (45 °C)
Installation		Indoor use, Installation Category 2, Pollution Degree 2
Altitude		6562' (2000 m)

Pump Air Speed and Throughput

The pumping function is graphically described by relating *inlet pressure* to both *air speed* and *throughput*. This relationship is shown for the large vacuum pumps in the set of graphs shown in Figure 1-1 and Figure 1-2.

NOTE



Speed curves were generated according to AVS Standard 4.1.

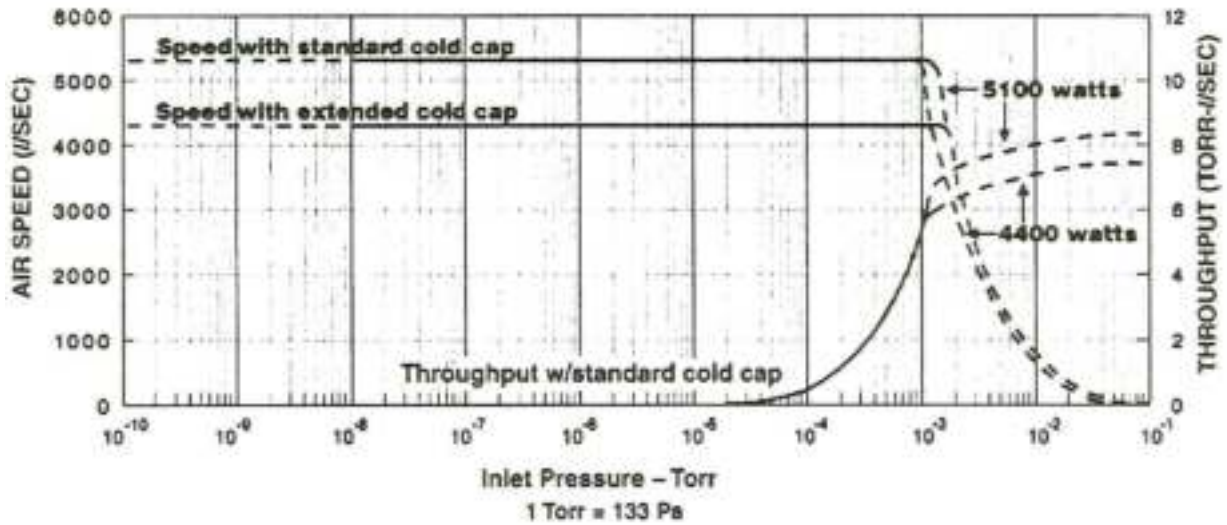


Figure 1-1 VHS-10 Speed and Throughput Curves

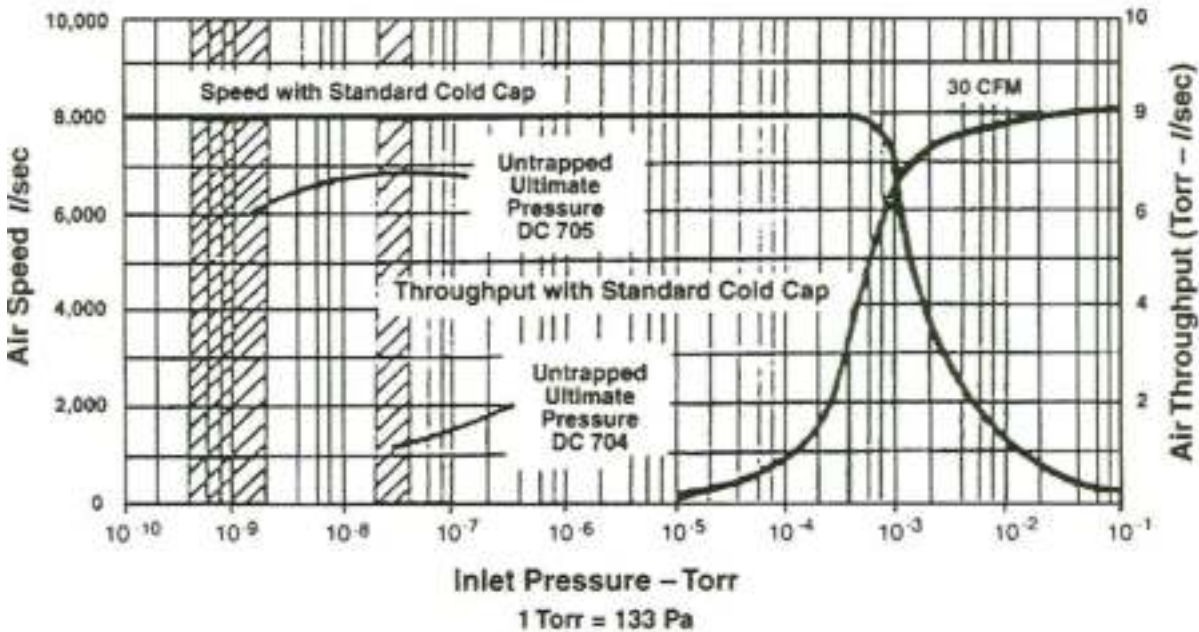


Figure 1-2 VHS-400 Speed and Throughput Curves

Physical Specifications

Figure 1-3 shows the VHS-10 and VHS-400 outline drawings with ASA flanges. Table 1-3 lists unit dimensions.

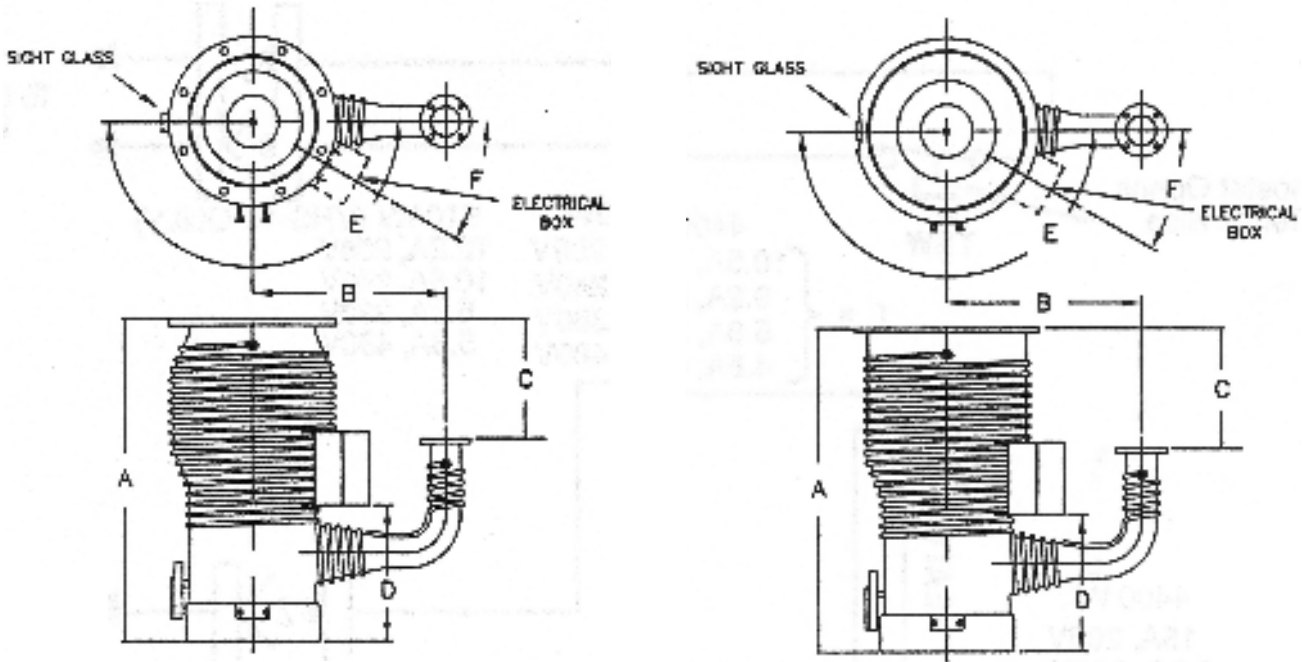


Figure 1-3 VHS-10 and VHS-400 Outline with ASA Flanges

Table 1-3 VHS-10 and VHS-400 Dimensions

	VHS-10						VHS-400			
	ASA		ISO		ConFlat		ASA		ISO	
	in	mm	in	mm	in	mm	in	mm	in	mm
A Height	31.00	787	31.00	787	31.00	787	31.00	787	31.00	787
B Centerline to Centerline	18.56	471	18.56	471	18.56	471	18.56	471	18.56	471
C Flange Face to Flange Face	11.62	295	11.62	295	11.62	295	11.62	291	11.62	295
D Electrical Box Height	13.00	330	13.00	330	13.00	330	13.00	330	13.00	330
E Sight Glass, Degrees from Foreline	180°						180°			
F Electric an Box, Degrees from Foreline	30° Clockwise						30° Clockwise			

VHS-10 & VHS-400 Diffusion Pumps

Table 1-3 VHS-10 and VHS-400 Dimensions (Continued)

	VHS-10						VHS-400			
	10" ASA		ISO-320-K		14" CFF		Special		ISO-400-K	
Inlet Flange, Nominal Size										
Inlet Flange, OD	16.00	406	14.57	370	14.00	356	18.00	457	17.72	450
Inlet Flange, ID	12.19	310	12.03	306	12.19	310	15.20	384	15.20	384
Inlet Flange, thickness	0.75	19	0.67	17	1.12	28	0.50	13	0.67	17
Inlet Flange, Bolt Circle	14.25	362	N/A	N/A	12.81	325	17.50	450	N/A	N/A
Inlet Flange, No. of holes	12		N/A		30		12		N/A	
Inlet Flange, Hole Size	0.94	24	N/A	N/A	0.39	10	0.32	8.1	N/A	N/A
O-ring Groove ID	12.50	318	N/A	N/A	N/A	N/A	16.00	406	N/A	N/A
O-ring Groove Width	0.24	6	N/A	N/A	N/A	N/A	0.25	6.3	N/A	N/A
Foreline Flange, Nom. Size	2"ASA		ISO-63-K		4 5/8" CFF		2"ASA		ISO-63-K	
OD	6.00	152	3.74	95	4.62	117	600	152	374	94
ID	2.91	74	2.93	74	2.91	74	2.91	74	2.91	74
Thickness	0.50	13	0.47	12	0.81	21	0.50	13	0.47	12
Bolt Circle	4.75	121	N/A	N/A	4.03	102	4.75	121	N/A	N/A
Number of Holes	4		N/A		10		4		N/A	
Hole Size	0.75	19	N/A	N/A	0.33	8	0.75	19	N/A	N/A
O-ring Groove ID	3.06	78	N/A	N/A	N/A	N/A	3.06	78	N/A	N/A
O-ring Groove Width	0.30	8	N/A	N/A	N/A	N/A	0.30	8	N/A	N/A

VHS-10 & VHS-400 Diffusion Pumps

Wiring Diagram

Figure 1-4 shows the circuit operating characteristics. Refer to Table 1-1 on page 19 and Table 1-2 on page 21 for VHS-10 and VHS-400 resistance characteristics.

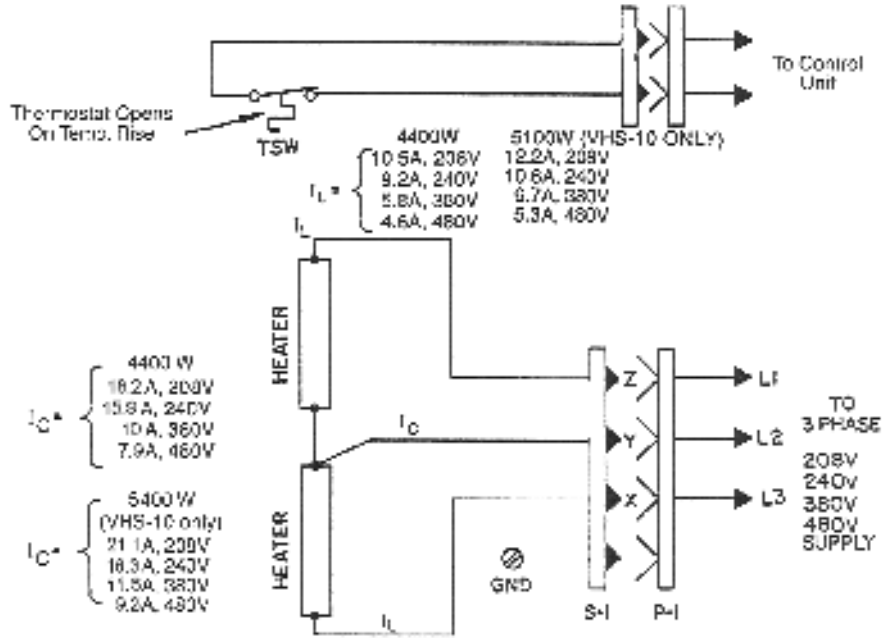


Figure 1-4 Operating Characteristics

Installation

Installation consists of:

- ❑ “Unpacking”
- ❑ “Pump Oil Installation” on page 28
- ❑ “Vacuum System Connections” on page 28
- ❑ “Cooling Water Connections” on page 29
- ❑ “Electrical Connections” on page 30
- ❑ “Thermal Switch Connections” on page 31

Unpacking

WARNING



- ❑ *Before lifting a pump, check the weight of the equipment in Table 1-1 on page 19 or Table 1-2 on page 21.*
- ❑ *Use power-assisted equipment, and trained moving and installation personnel to avoid dropping, slipping, and overturning the pump and severely injuring personnel.*
- ❑ *Do not stand under equipment being moved.*

Agilent large diffusion pumps are shipped in sturdy containers that permit prolonged storage in suitably protected areas without special precautions, however, take care when moving the crated pump with a fork lift to avoid excessive shock.

Carefully remove the outer shipping container. Visually inspect the pump for damage that may have occurred during shipping and notify the carrier immediately if damage is suspected. If damage is noticed, save the crate and the internal packing for inspection.

To install the pump:

1. Remove flange covers and protective plugs from water connections. Be careful not to scratch the O-ring seal surface on the inlet and foreline flanges.
2. Inspect the internal jet assembly. It should be concentric and firmly seated on the bottom of the diffusion pump. Using a flashlight, ensure that the ejector nozzle is directly in line with the foreline. The location of the jet is controlled by an indexing pin located on the bottom of the pump.

If the required vacuum level is above 10^{-6} Torr, the pump requires no initial cleaning. For pressure below 10^{-6} Torr, follow the cleaning procedure in “Cleaning” on page 40. Then charge the pump with the diffusion pump oil.

Pump Oil Installation

The recommended oil charge for the VHS-10 and the VHS-400 diffusion pumps is 1000 cc.

To fill the oil:

- ❑ Remove the fill plug and pour the oil into the pump inlet or the foreline by pouring it into the fill and drain assembly.

Vacuum System Connections

WARNING



*Utility failure can cause equipment damage, overheating and explosions. Use appropriate system design to protect personnel and property from possible hazards. **Read all safety precautions.***

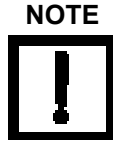
To establish vacuum system connections:

1. Install the diffusion pump with the body vertical and plumb.
2. Ensure that the pump inlet mating flange on the system is horizontal within $\pm 1^\circ$.
The boiler plate must be horizontal to prevent uneven fluid level. Failure to meet this requirement could result in overheating of the diffusion pump boiler plate.
3. Prepare the inlet and foreline O-rings by wiping them with a clean, lint-free cloth. A small amount of diffusion pump oil can be used to clean the O-rings.
4. Install the O-rings in the O-ring grooves. Be careful not to damage or scratch the sealing surface.
5. Check the fill plug for tightness. Apply light to medium torque; enough to compress the O-rings.
6. Using the appropriate lifting apparatus, align the bolt holes of the inlet flange with the bolt holes of the mating flange.
7. Using the appropriate mounting hardware, tighten the bolts evenly until the O-ring is compressed and the flanges make light, metal-to-metal contact.
8. Ensure the integrity of the vacuum connections using a helium mass spectrometer leak detector before operating the vacuum system.

Cooling Water Connections

To install cooling water connections:

1. Connect the inlet water fitting (near the inlet flange at the top of the pump) to a continuously running water supply at 0.5 gpm and at a temperature of between 60 to 80 °F.



Install discharge connections in accordance with all applicable laws and regulations.

2. Ensure that the exit water temperature does not exceed 120°F.
3. Connect the outlet or discharge (nearest the foreline) to an open drain.

If the diffusion pump is being cooled by a recirculating water system:

- The system must be capable of adequate cooling and heat exchange to ensure a continuous inlet temperature of 60 to 80 °F.
- The recirculating system must also be capable of maintaining an adequate flow rate to ensure that exit water temperature does not exceed 120°F.
- The minimum rating of this system should be 85% of the maximum power rating of the diffusion pump.

If a Quick Cool coil is used:

1. Control the Quick Cool coil feed line, located at the boiler plate, using a separate three-way valve (open, closed, and vent to atmosphere).
2. Connect the Quick Cool drain to an open drain which is below the inlet connection of the Quick Cool coil. This ensures that the Quick Cool coil is completely drained when the cooling water supply is turned off and the pump is vented to atmosphere.

Electrical Connections

WARNING



*Diffusion pump heaters operate at fatal voltage levels. During installation, check all drawings and attach all hazard warnings and cautions. **Read all safety precautions.***

To complete electrical connections:

1. Verify the heater rating by measuring the resistance of the heater circuit (line-to-line) and comparing it to the values in Table 1-1 on page 19 for the VHS-10 or Table 1-2 on page 21 for the VHS-400.
2. Make the electrical connections in the junction box located near the foreline. The electrical supply should not be more than 5% above the rated voltage.
3. Connect the ground earth wire directly to the ground stud. The wire must be terminated in a double crimp closed loop/ring connector. The connector must be placed over the ground stud and secured by a lock washer and nut.
4. Connect the three line input wires to terminal block positions L1, L2 and L3. For added safety, to prevent wires from becoming disconnected, secure the three wires together inside the junction box with a tie-wrap, similar to what was done with the heater wires on the other side of the terminal block.

NOTE



All electrical connection must be made by qualified personnel in accordance with all applicable laws and industrial codes.

Thermal Switch Connections

The pump has been fitted with a factory preset manually-resettable thermal switch. This switch is located in a box near the bottom of the pump and provides protection to the pump in the event of excessive fluid loss, the loss of cooling water, or high inlet pressure.

WARNING



Failure to properly connect the thermal circuit switch can result in catastrophic damage to personnel, the pump, or the vacuum system.

To connect the thermal switch:

- ❑ Connect the leads of the thermal switch in series with the coil of the heater power supply. In the event of overtemperature, the thermal switch opens and shuts off the power to the pump.

Reset the thermal switch by pressing the button located at the center of the thermal switch. This is done only after the root cause of a problem has been determined and the appropriate corrective action taken.

This page intentionally left blank.

Operation

Operation consists of:

- ❑ “Startup Procedure” on page 34
- ❑ “Shutdown Procedure” on page 34

During initial installation, the newly installed pump fluid may be subjected to degassing. This can result in foreline pressure fluctuations that are considered normal.

WARNING



The following conditions increase the risk of explosion:

- ❑ *Air leaks into the system*
- ❑ *Roughing through a hot diffusion pump, which can cause hot hydrocarbon fluids to ignite or explode when exposed to air*
- ❑ *Air release or the admission of air to a pump with a hot boiler (permitting a strong oxidizer to contact the hot pump fluid)*
- ❑ *Pressure above 1 milliTorr (1.3×10^{-3} mbar)*
- ❑ *Insufficient (or low level of) pump fluid*
- ❑ *Operating a pump without circulating cool water to the main body cooling coils*
- ❑ *Operating pump with water trapped in Quick Cool coil*
- ❑ *Foreign matter in the pumping fluid, which changes its viscosity and obstructs flow passages*

CAUTION



- ❑ *Do not turn on the heater without fluid in the pump. This may ruin the heaters and damage the pump.*
- ❑ *Do not air-release the pump while the boiler is hot. Most diffusion pump fluids break down under these conditions.*
- ❑ *Do not operate the pump heater unless cooling water is circulating. Doing so causes the pump and fluid to overheat.*
- ❑ *Do not operate without the internal splash baffle or a foreline baffle. This can cause a greater than normal fluid loss.*

Startup Procedure

1. Visually inspect the sight glass assembly to ensure that the diffusion pump has been charged with the proper amount of diffusion pump fluid. When properly filled, the oil level (when the pump is cold) is even with the FULL/COLD mark on the oil level indicator.
2. Evacuate (rough pump) the diffusion pump with a mechanical backing pump (customer supplied). The pressure must be reduced to less than 0.5 Torr (0.66 mbar; 66.5 Pa). The backing pump should remain connected to the foreline of the diffusion pump.
3. Turn on the cooling water supply to the pump body. Check that the cooling water is not being supplied to the Quick Cool coil at this time.
4. Turn on the power to the diffusion pump heater.
5. Monitor inlet and foreline pressures.

During operation of the diffusion pump:

- The gas load at the inlet should not exceed the maximum throughput capability of the pump.
- The forepressure should not exceed the specified tolerable forepressure.

Humid Environments

Due to their inherent design, diffusion pump heaters absorb moisture. This results in a decrease in heater insulation resistance (higher leakage current). Under normal conditions, the decrease in insulation resistance is a momentary condition that occurs on startup. The amount of moisture adsorbed depends on the temperature, humidity, and the length of time the heaters have been exposed to this environment without power being applied. If diffusion pumps are started in high humidity environments, the heaters may be damaged on startup at full power. To overcome the effect of moisture absorbed in the heaters, start pumps at a low line voltage, e.g., 50% of line voltage, for a period or time to slowly expel any moisture.

Shutdown Procedure

1. Turn off the power to the diffusion pump. Continue to back the diffusion pump with the appropriate mechanical pump.
2. Allow cooling water to flow through the diffusion pump until the pump body temperature, located just above the boiler plate, has cooled to a temperature of 130 °F.
3. After isolating the backing pump, vent the diffusion pump to the atmosphere.

If faster cooling is desired:

Cool the pump using the Quick Cool coil at the bottom of the diffusion pump. The same procedure for shutdown can be followed.

Troubleshooting

Troubleshooting consists of:

- ❑ “Leakage”
- ❑ “Outgassing”
- ❑ “Poor Pump or System Performance” on page 36

Leakage

If leakage is the suspected cause of poor system performance, first check the following items:

- ❑ Inlet and foreline connections
- ❑ Drain and fill plugs
- ❑ Other compression fittings, such as high-vacuum gauges in the system
- ❑ Threaded connections, such as a foreline gauge

Before proceeding with a program of step-by-step troubleshooting, check the performance and accuracy of the vacuum gauges used on the system.

Outgassing

High-vacuum systems, even without external leakage, can have high gas loads due to outgassing from internal surfaces or processes. The pressure in the system is a result of gas load divided by pumping speed ($p = Q/S$). If the gas load Q exceeds the maximum throughput capability of the diffusion pump, the diffusion pump will not function and the pumping action will essentially be due to the mechanical backing pump.

To estimate the gas load, isolate the system from all pumps after evacuation and measure the rate of pressure increase.

The gas load can be estimated from the following relationship:

$$Q = \frac{V \times \Delta P}{\Delta t}$$

where V is the isolated volume, ΔP is the pressure rise, and Δt is the time period of measurement.

Poor Pump or System Performance

Table 4-1 lists the faults, the probable causes and corrective actions to take if you have a problem with a large diffusion pump.

Table 4-1 Troubleshooting Guide

Fault	Probable Cause	Corrective Action
Poor system pressure	Leaks in system, virtual or real	Locate and repair
	High process gas load	Measure gas load, eliminate cause
	System dirty	Clean system to reduce outgassing
Poor ultimate pressure	Contaminated pump fluid	Examine and clean pump; replace fluid
	Low heat input	Check voltage. Check for continuity, burned-out element, poor thermal contact
	Inadequate cooling water flow	Check water pressure. Check tubing for obstructions and backpressure
	Cooling water is too cold	Check temperature
	Cooling water flow is too high	Adjust water flow
	High forepressure	Check for leak in foreline, poor mechanical pump performance, breakdown of mechanical pump fluid
	Water in Quick Cool coil	Check and remove cause
Slow pumpdown	Low heat input	Check heaters
	Low fluid level	Add fluid
	Malfunctioning pump assembly	Check and repair or replace
	Improperly located jets	
	Damaged jet system	
Inlet pressure surges	Incorrect heater input	Check and correct
	Fluid outgassing	Condition fluid by operating the pump for a few hours
	Leak in system ahead of pump inlet	Check and correct

VHS-10 & VHS-400 Diffusion Pumps

Table 4-1 Troubleshooting Guide (Continued)

Fault	Probable Cause	Corrective Action
High chamber contamination of the pump fluid	Forepressure too high	Check for leak in foreline, poor mechanical pump performance, breakdown of pump fluid, and incorrect valve operation
	Prolonged operation in overload range: 10^{-3} Torr	Adhere to operating procedures
	Cutting over from the backing pump too early in the pump down cycle	Cut over at a lower chamber pressure
	Improper system operation and air release procedures	Adhere to operating procedures
Pump will not start	Safety circuits or protective devices prevent contactor from staying closed	Check utilities, flow devices switches, interlocks. Check thermostat operation

This page intentionally left blank.

Appendix A. Maintenance

Pump maintenance consists of:

- ❑ “Periodic Inspections”
- ❑ “Cleaning” on page 40
- ❑ “Disassembly and Reassembly Procedures” on page 41
- ❑ “Cold Cap” on page 41
- ❑ “Jet Assembly” on page 42
- ❑ “Heater Replacement” on page 43
- ❑ “Pump Fluid” on page 45

Perform these periodic checks to assure trouble-free operation. This maintenance prevents costly down-time and cleaning procedures. Maintain a day-to-day log of pump and system performance to identify marked variations that require corrective action.

Periodic Inspections

The maximum interval between inspection of the pump is established on the basis of experience.

WARNING



- ❑ *High voltages (up to 480 V) can kill. Always break the primary circuit to the power supply before starting work on the heater or its wiring.*
- ❑ *Avoid the possibility of serious burns by making sure that the pump is at room temperature before attempting service.*
- ❑ *Always wear appropriate gloves and clothing and use a self-contained breathing apparatus. Poisonous or corrosive compounds may be present when opening the fill or drain.*
- ❑ *Explosion risk is high if the fill or drain is opened when the pump is running or when it is hot.*

To perform general maintenance:

1. Check the condition and level of fluid when the pump is cold. Withdraw a sample through the drain and visually check the level of fluid through the sight glass. Slight discoloration of the fluid does not affect pump performance. Use new O-ring gaskets when replacing fill and drain plugs.

Loss of the fluid can be caused by:

- ❑ Admittance of excessive air or other gas to a hot pump
- ❑ Inadequate water cooling

VHS-10 & VHS-400 Diffusion Pumps

- Continuous operation in the overload range as given in Table 1-1 on page 19 or Table 1-2 on page 21.
 - Failure to reinsert the foreline baffle in the pump assembly
2. When the pump is cold, check that the heaters are bolted snugly to the boiler plate and that all heater terminal connections are fastened tightly inside the junction box.
 3. Check the total heater power input and the balance of the load.
 4. Ensure that cooling water flow is unobstructed and that the flow rate does not fall not below quantities specified in Table 1-1 on page 19 or Table 1-2 on page 21. In areas where the mineral content of the water is high or where there is considerable sediment, it may be advisable to install water filters.

Cleaning

WARNING



- Cleaning a diffusion pump involves the use of acetone and alcohol, both of which are toxic and explosive. Take careful note of the following warnings before starting a cleaning process.*
- When heated, sprayed or exposed to high temperature equipment, these solvents become flammable and explosive, causing serious injury or death.*
- When heated or sprayed, acetone or alcohol also becomes 4 to 5 times heavier than air and will flow down, settling in tanks, pits, and low areas, thus displacing air which can kill by asphyxiation.*
- Acetone, alcohol, and other solvents are irritants, narcotics, depressants, and carcinogenic. Their inhalation and ingestion may produce serious effects. Prolonged or continued contact with the skin will result in absorption through the skin and moderate toxicity.*
- Do not use near a high temperature source. Ventilate the working area with a blower and use in a large, well-ventilated room. The use of a self-contained breathing apparatus may also be necessary.*
- Always ensure that cleaning operations are carried out in large, well-ventilated rooms. Wear eyeshields, gloves, and protective clothing.*

Complete cleaning of the pump may be required due to gradual deterioration of pump fluids. Removal of the pump from the system is then necessary.

To clean an installed pump:

1. Turn off the power and disconnect the power supply plug.
2. Allow the pump to cool and turn off the cooling water and disconnect the cooling lines.

VHS-10 & VHS-400 Diffusion Pumps

3. Unbolt the inlet flange and foreline connections.
4. Remove the pump from the system. Drain the diffusion pump of all fluid.
5. Remove all O-rings, the cold cap assembly ("Cold Cap" on page 41), the jet assembly ("Jet Assembly" on page 42), and the foreline baffle from the pump.
6. Thoroughly clean the diffusion pump body interior and the jet assembly using acetone followed by an isopropyl alcohol rinse. Dry the pump and the jet assembly with clean, dry, oil-free compressed air.
7. Install the foreline baffle, the jet assembly, and the cold cap assembly in the pump body. Ensure that the:
 - Ejector nozzle is properly aligned with the foreline.
 - Cold cap is properly installed on the jet assembly. Ensure that the space between the underside of the cold cap and the outside of the jet cap is uniform.
8. Reinstall the diffusion pump in the system using all new O-rings.
9. Charge the pump with the proper amount of fluid (1000 cc).
10. Reconnect the water cooling lines and the power supply.
11. Evacuate the diffusion pump with the appropriate mechanical pump.
12. Turn on the cooling water.
13. Wait until the pump has been evacuated to a pressure below 0.5 Torr (0.38 mbar; 66.5 Pa) and turn on the power to the diffusion pump.

Disassembly and Reassembly Procedures

Cold Cap

To disassemble the cold cap:

1. Remove the screw that secures the cold cap to the jet assembly.
2. Loosen the bolt that secures the cold cap to the side of the pump.
3. Lift out the cold cap.

To reassemble the cold cap:

1. Place the cold cap on top of the jet assembly with the mounting bracket straddling the copper bar located on the inside wall of the pump and tighten it lightly.
2. Center and level the cold cap over the jet assembly, then install the screw that holds the cold cap to the jet assembly.
3. Tighten the bolt that secures the cold cap to the pump body.

VHS-10 & VHS-400 Diffusion Pumps

Jet Assembly

Figure A-1 shows the jet assembly.

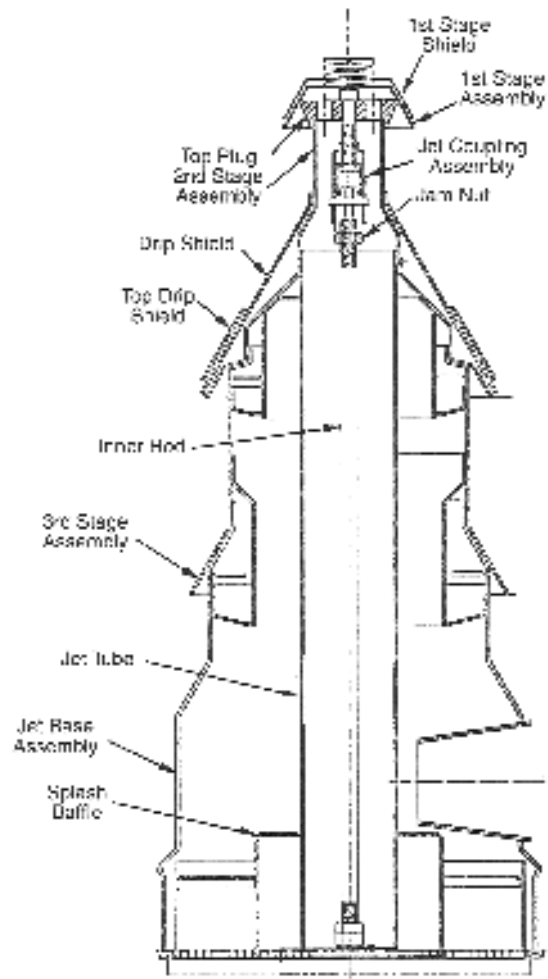


Figure A-1 VHS-10 and VHS-400 Jet Assembly

To disassemble the jet assembly:

1. Remove the cold cap from the pump ("Cold Cap" on page 41).
2. Unscrew the cold cap from the jet assembly.
3. Lift out each section of the jet assembly. Do not dent or otherwise damage the jet assembly during disassembly or cleaning.
4. Remove the splash baffle from the pump.

VHS-10 & VHS-400 Diffusion Pumps

To assemble the jet assembly:

1. Place the splash baffle in the bottom of the pump. Check that it is located in the outer boiler groove.
2. Insert the jet base, making sure the ejector is aligned with the foreline, followed by the remaining stages of the jet. Make sure that all stages are firmly seated and that all drip shields are in place.
3. Install the cold cap assembly.

Heater Replacement

Refer to Figure A-2 for this procedure.

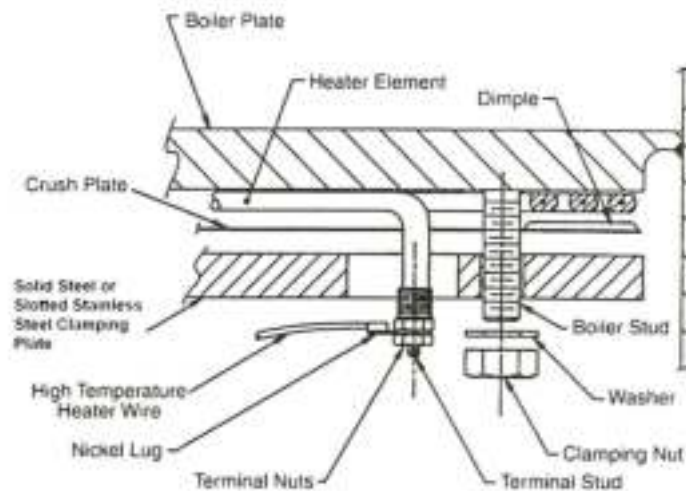


Figure A-2 VHS-10 and VHS-400 Heater Connections

To replace a heater:

1. Turn off the power to the diffusion pump and disconnect the power supply.
2. Remove the heater cover and the insulation from the bottom of the diffusion pump.
3. Label the heater wires for proper location during installation.
4. Disconnect the terminal leads. Use two wrenches when loosening these nuts to prevent breaking the heater terminals.
5. Remove the nuts holding the heater clamp. Use caution when removing the heater clamp as it is fairly heavy (18 lbs.).
6. Lower the entire heater unit from the pump.
7. Replace the defective heater.
8. Install a new heater crush plate.

VHS-10 & VHS-400 Diffusion Pumps

9. Assemble the heater, crush plate (with dimples facing the heater element), and clamping plate as a unit.
10. Coat the boiler studs with an anti-seize compound such as Loctite C5-A or common milk of magnesia.
11. Support the heater unit by the clamping plate, line up the holes with the boiler studs, and push the unit up against the boiler plate. Use two nuts, tightened finger-tight, to hold it in place.
12. Secure the remainder of the nuts finger-tight. Torque required on bolts:

Solid Steel Clamp Plate

- ❑ (8) perimeter bolts: 250 inch-pounds
- ❑ (1) center bolt: 480 inch-pounds

Slotted Stainless Steel Clamp Plate

- ❑ (8) perimeter bolts: 180 inch-pounds
- ❑ (1) center bolt: 840 inch-pounds

Figure A-3 shows the Solid Steel and Slotted Stainless Clamp Plates for reference.

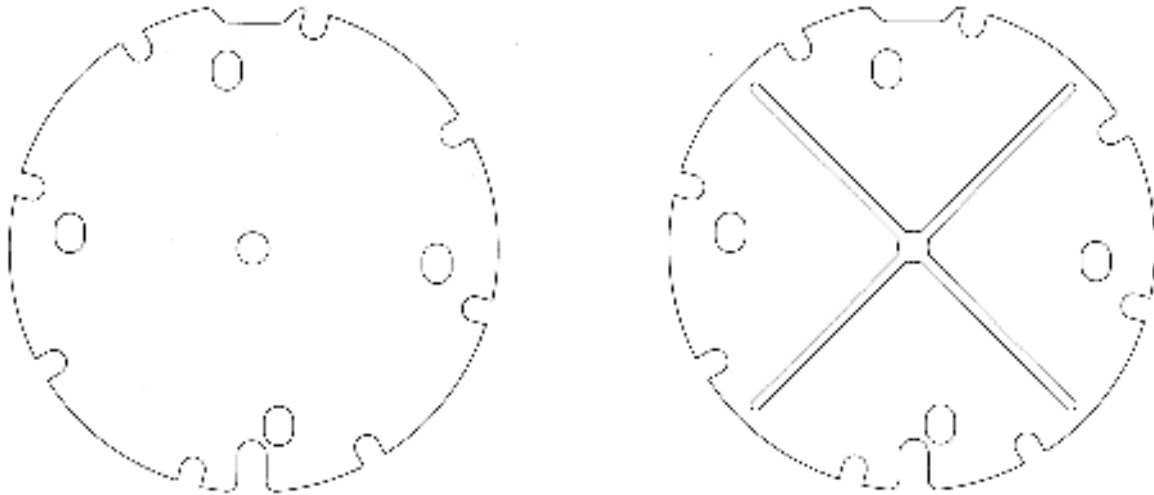
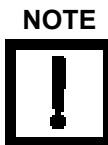


Figure A-3 Solid Steel and Slotted Stainless Clamp Plate



To allow uniform crushing of the crush plate, fully torque the center bolt first, then alternate the tightening of the perimeter bolts until the torque values are achieved.

13. Replace the heater insulation and the cover.

VHS-10 & VHS-400 Diffusion Pumps

Pump Fluid

The recommended fluid charge for the VHS-10 and the VHS-400 diffusion pumps is 1000 cc. The fluid charge is gradually be depleted through use, but the pump continues to operate normally. When the charge is reduced to approximately 60% of the initial fill amount, the boiler plate temperature may begin to rise. Under this condition, the thermal switch, when properly connected, is designed to open the heater circuit.

Refer to Figure A-4 for this procedure.

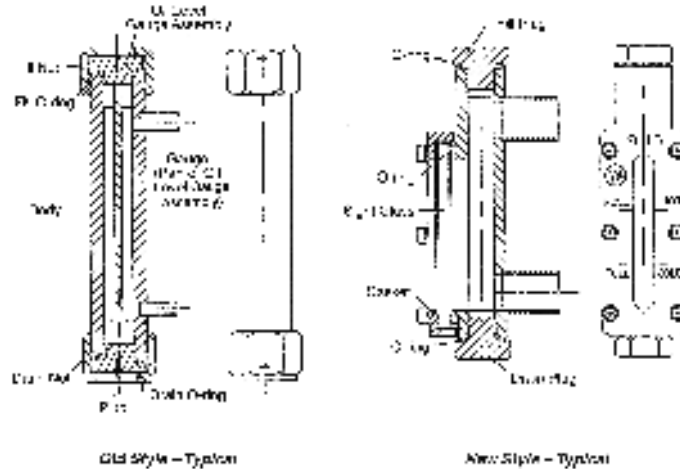


Figure A-4 Fill and Drain Assemblies

To replace the pump fluid:

1. Turn off the power to the pump.
2. Allow the pump to cool until the temperature of the pump body, measured one inch above the heater skirt, has cooled to 130 °F.
3. Vent the pump to the atmosphere.
4. Loosen and remove the fill plug located at the top of the sight glass assembly.
5. Add pump fluid until the fluid level is even with the FULL/COLD mark on the oil level indicator.
6. Replace the O-ring in the fill plug and lubricate it with pump fluid.
7. Install the fill plug and tighten it moderately.
8. Evacuate and start the diffusion pump.

This page intentionally left blank.

Appendix B. Parts

Replacement Parts

Table B-1 Replacement Parts

Part Number	Description
F0429301	Standard cold cap assembly, VHS-10 only
K4823301	Standard cold cap assembly, VHS-400 only
L8917301	Extended cold cap assembly, VHS-10 only
L8908301	Sight glass repair kit, consisting of:
L8816001	Sight glass
L9694001	Gasket, PTFE
Coml	O-ring, Viton, Parker No. 2-113
Coml	O-ring, Viton, Parker No. 2-216
F0428401	Jet assembly
L6367301	Jet coupling
F0431301	Splash baffle
F0435301	Foreline baffle assembly
L8912301:	Thermoswitch kit, consisting of:
<input type="checkbox"/> 642906025	<input type="checkbox"/> Switch
<input type="checkbox"/> 648056148	<input type="checkbox"/> Lug
<input type="checkbox"/> X3901-68006	<input type="checkbox"/> Wire
<input type="checkbox"/> 89867001	<input type="checkbox"/> Box, insulator
L8913301:	Heating wire kit, consisting of:
<input type="checkbox"/> 648056680	<input type="checkbox"/> Lug
<input type="checkbox"/> 648091065	<input type="checkbox"/> Terminal strip
<input type="checkbox"/> 656179100	<input type="checkbox"/> Wire
64731040	Heater element (2200 W, 208 V), 2 required
647310150	Heater element (2200 W, 240 V), 2 required
647310160	Heater element (2200 W, 380 V), 2 required
647310170	Heater element (2200 W, 480 V), 2 required
647310145	Heater element (2550 W, 208 V), 2 required
647310155	Heater element (2550 W, 240 V), 2 required
647310165	Heater element (2550 W, 380 V), 2 required
647310175	Heater element (2550 W, 480 V), 2 required
K7667001	Heater crush plate, required with heater replacement
K4928001	Heater clamping plate, solid steel

VHS-10 & VHS-400 Diffusion Pumps

Table B-1 Replacement Parts (Continued)

Part Number	Description
R2667301	Heater clamping plate, slotted stainless steel
L8914001	Heater insulating blanket
L8903301	Heater cover plate
K0377185	O-ring kit; includes (VHS-10): <input type="checkbox"/> 1 butyl inlet flange O-ring (F0430001) <input type="checkbox"/> 1 Buna-N foreline O-ring, Parker No. 2-338 <input type="checkbox"/> 10 Viton fill and drain O-rings (old style fill and drain assembly), Parker No. 2-112 <input type="checkbox"/> 10 Viton fill and drain O-rings (new style fill and drain assembly), Parker No. 2-113 <input type="checkbox"/> 1 PTFE gasket <input type="checkbox"/> 1 Sight glass O-ring, Parker No. 2-226
K0377189	O-ring kit; includes (VHS-400): <input type="checkbox"/> 1 butyl inlet flange O-ring, Parker No. 2-385 <input type="checkbox"/> 1 Buna-N foreline O-ring, Parker No. 2-338 <input type="checkbox"/> 10 Viton fill and drain O-rings (old style fill and drain assembly), Parker No. 2-112 <input type="checkbox"/> 10 Viton fill and drain O-rings (new style fill and drain assembly), Parker No. 2-113 <input type="checkbox"/> 1 PTFE gasket <input type="checkbox"/> 1 Sight glass O-ring, Parker No. 2-226
X3901-68006	VHS-10/400 Ni wire, 14AWG, 60" length, 1 required
X3901-68003	VHS-10/400 Heater wire, 10AWG, 42" length, 3 required
648056148	Ni lug, 14AWG
648056680	Ni lug, 10AWG
642906025	Thermal switch

Vacuum Products Division Instructions for returning products

Dear Customer:

Please follow these instructions whenever one of our products needs to be returned.

- 1) Complete the attached Request for Return form and send it to Agilent Technologies (see below), taking particular care to identify all products that have pumped or been exposed to any toxic or hazardous materials.
- 2) After evaluating the information, Agilent Technologies will provide you with a Return Authorization (RA) number via email or fax, as requested.
Note: Depending on the type of return, a Purchase Order may be required at the time the Request for Return is submitted. We will quote any necessary services (evaluation, repair, special cleaning, eg).
- 3) **Important steps for the shipment of returning product:**
 - Remove all accessories from the core product (e.g. inlet screens, vent valves).
 - Prior to shipment, drain any oils or other liquids, purge or flush all gasses, and wipe off any excess residue.
 - If ordering an Advance Exchange product, **please use the packaging from the Advance Exchange to return the defective product.**
 - Seal the product in a plastic bag, and package product carefully to avoid damage in transit. You are responsible for loss or damage in transit.
 - Agilent Technologies is not responsible for returning customer provided packaging or containers.
 - **Clearly label package with RA number.** Using the shipping label provided will ensure the proper address and RA number are on the package. Packages shipped to Agilent without a RA clearly written on the outside cannot be accepted and will be returned.
- 4) Return only products for which the RA was issued.
- 5) **Product being returned under a RA must be received within 15 business days.**
- 6) **Ship to the location specified on the printable label, which will be sent, along with the RA number, as soon as we have received all of the required information.** Customer is responsible for freight charges on returning product.
- 7) Return shipments must comply with all applicable **Shipping Regulations** (IATA, DOT, etc.) and carrier requirements.

**Vacuum Products Division
Request for Return Form
(Health and Safety Certification)**

Please read important policy information on Page 3 that applies to all returns.

1) CUSTOMER INFORMATION

Company Name:		Contact Name:	
Tel:	Email:	Fax:	
Customer Ship To:		Customer Bill To:	
Europe only: VAT reg. Number:		USA/Canada only: <input type="checkbox"/> Taxable <input type="checkbox"/> Non-taxable	

2) PRODUCT IDENTIFICATION

Product Description	Agilent P/N	Agilent S/N	Original Purchasing Reference

3) TYPE OF RETURN (Choose one from each row and supply Purchase Order if requesting a billable service)

- 3A. Non-Billable Billable **➔** New PO # (hard copy must be submitted with this form):
- 3B. Exchange Repair Upgrade Consignment/Demo Calibration Evaluation Return for Credit

4) HEALTH and SAFETY CERTIFICATION

AGILENT TECHNOLOGIES CANNOT ACCEPT ANY PRODUCTS CONTAMINATED WITH BIOLOGICAL OR EXPLOSIVE HAZARDS, RADIOACTIVE MATERIAL, OR MERCURY AT ITS FACILITY.
Call Agilent Technologies to discuss alternatives if this requirement presents a problem.

The equipment listed above (check one):

HAS NOT pumped or been exposed to any toxic or hazardous materials. OR

HAS pumped or been exposed to the following toxic or hazardous materials. If this box is checked, the following information must also be filled out. Check boxes for all materials to which product(s) pumped or was exposed:

Toxic Corrosive Reactive Flammable Explosive Biological Radioactive

List all toxic/hazardous materials. Include product name, chemical name, and chemical symbol or formula:

NOTE: If a product is received at Agilent which is contaminated with a toxic or hazardous material that was not disclosed, **the customer will be held responsible** for all costs incurred to ensure the safe handling of the product, and **is liable** for any harm or injury to Agilent employees as well as to any third party occurring as a result of exposure to toxic or hazardous materials present in the product.

Print Name: _____ **Authorized Signature:** **Date:** _____

5) FAILURE INFORMATION:

Failure Mode (REQUIRED FIELD. See next page for suggestions of failure terms):
Detailed Description of Malfunction: (Please provide the error message)
Application (system and model):

I understand and agree to the terms of Section 6, Page 3/3.		
Print Name:	Authorized Signature:	Date:

**Vacuum Products Division
Request for Return Form
(Health and Safety Certification)**

Please use these Failure Mode to describe the concern about the product on Page 2.

TURBO PUMPS and TURBO CONTROLLERS

APPARENT DEFECT/MALFUNCTION	POSITION	PARAMETERS
- Does not start - Does not spin freely - Does not reach full speed - Mechanical Contact - Cooling defective - Noise - Vibrations -Leak -Overtemperature -Clogging	- Vertical -Horizontal -Upside-down -Other:	Power: Rotational Speed: Current: Inlet Pressure: Temp 1: Foreline Pressure: Temp 2: Purge flow: OPERATING TIME:

ION PUMPS/CONTROLLERS

- Bad feedthrough	- Poor vacuum
- Vacuum leak	- High voltage problem
- Error code on display	- Other

VALVES/COMPONENTS

- Main seal leak	- Bellows leak
- Solenoid failure	- Damaged flange
- Damaged sealing area	-Other

LEAK DETECTORS

- Cannot calibrate	-No zero/high background
- Vacuum system unstable	- Cannot reach test mode
- Failed to start	- Other

INSTRUMENTS

- Gauge tube not working	- Display problem
- Communication failure	- Degas not working
- Error code on display	- Other

SCROLL AND ROTARY VANE PUMPS

- Pump doesn't start	- Noisy pump (describe)
- Doesn't reach vacuum	- Over temperature
- Pump seized	- Other

DIFFUSION PUMPS

- Heater failure	- Electrical problem
- Doesn't reach vacuum	- Cooling coil damage
- Vacuum leak	- Other

Section 6) **ADDITIONAL TERMS**

Please read the terms and conditions below as they apply to all returns and are in addition to the Agilent Technologies Vacuum Product Division – Products and Services Terms of Sale.

- Customer is responsible for the freight charges for the returning product. Return shipments must comply with all applicable **Shipping Regulations** (IATA, DOT, etc.) and carrier requirements.
- Customers receiving an Advance Exchange product agree to return the defective, rebuildable part to Agilent Technologies **within 15 business days**. Failure to do so, or returning a non-rebuildable part (crashed), will result in an invoice for the non-returned/non-rebuildable part.
- Returns for credit toward the purchase of new or refurbished Products are subject to prior Agilent approval and may incur a restocking fee. Please reference the original purchase order number.
- Units returned for evaluation will be evaluated, and a quote for repair will be issued. If you choose to have the unit repaired, the cost of the evaluation will be deducted from the final repair pricing. A Purchase Order for the final repair price should be issued within 3 weeks of quotation date. Units without a Purchase Order for repair will be returned to the customer, and the evaluation fee will be invoiced.
- A Special Cleaning fee will apply to all exposed products per Section 4 of this document.
- If requesting a calibration service, units must be functionally capable of being calibrated.

This page intentionally left blank.

