
PROTEAN Plus™ Dodeca™ Cell

Instruction Manual

Catalog Numbers

165-4150

165-4151

BIO-RAD

Table of Contents

	Page
Section 1 General Information	1
1.1 Introduction.....	1
1.2 Safety.....	2
Section 2 Setting up the PROTEAN plus Dodeca Cell for the first time	3
2.1 Unpack the cell.....	3
2.2 Components.....	3
2.3 Setting up the buffer recirculation pump.....	5
2.4 Additional required components.....	7
Section 3 Preparing for Electrophoresis	7
3.1 Buffer preparation.....	7
3.2 Gel preparation.....	8
3.3 IPG Strips preparation and loading.....	9
3.4 Cell assembly.....	10
3.5 Starting the electrophoresis run.....	12
3.6 Removing the gel.....	12
Section 4 Maintenance	13
Section 5 Troubleshooting Guide	14
Section 6 Product Information and Accessories	15
Section 7 Warranty Information	17

Section 1

General Information

1.1 Introduction

The PROTEAN Plus Dodeca Cell* is a multi-cell for polyacrylamide gel electrophoresis. It is primarily intended to run immobilized pH gradient (IPG) strips for the second dimension of 2-D electrophoresis. It runs one to twelve large format gels simultaneously. The PROTEAN Plus Dodeca cell system includes the Buffer Recirculation Pump that aids in maintaining a constant temperature during the electrophoresis experiment. This system uses the new PROTEAN Plus hinged spacer plates. These plates are strategically sealed at one side with a silicon strip to create a hinged cassette. The hinge is required to prevent current leakage and to achieve optimal results.

Specifications of the PROTEAN Plus Dodeca Cell

Tank and lid	Acrylic
Anode	Platinum-coated titanium plate electrode
Cathode	Stainless steel plate electrode
Drain line	Braided PVC
Drain line connectors	Polypropylene
Cooling core	Ceramic
Cooling core connector tubing	Braided PVC
Manifold tubing	Tygon tubing 1/4" ID (required for PROTEAN II precast and handcast gels)
Buffer coil	Acrylic
Gaskets	Silicone rubber
Maximum buffer volume	22.5 liters (plate width: 27cm)
Minimum buffer volume	16.8 liters (plate width: 20cm)
Overall size (LxHxW)	
Tank and lid	39.5 x 34.5 x 34.5 cm
Pump	19.5 x 12 x 17.5 cm
Precast gel compatibility	PROTEAN II Ready gel precast gels with IPG comb
Handcast gel compatibility	PROTEAN Plus hinged spacer plates PROTEAN II 20 x 20 cm glass plates
Hinged spacer plate dimensions	26.8 x 22.5 cm; 26.8 x 20.5 cm
Slab gel dimension	25 x 20.5 cm; 20 x 20.5 cm; 18.5 x 20 cm; or 18.3 x 19.3 cm
Power safety limits	1000V, 250W
Weight	17.5 kg

*Patent pending

Specifications of the Buffer Recirculation Pump

Number of channels	1
Flow rate range	0 - 1.5 liters/min, as measured with 3/8" tubing and water. Flow rate will vary with tubing diameter, buffer viscosity, and line voltage.
Maximum counterpressure	~ 10 psi
Motor	Self-priming oscillating pump
Power requirements	120 VAC, 60 Hz 220 VAC, 50 Hz
Maximum ambient temperature limit	40 °C
Fuses required	100/120 V use .25 A type T 220/240 V use .125 A type T
Dimensions	19 cm x 12.7 cm x 18 cm (W x D x H)
Weight	2.9 kg

Note: Dodeca cell components are not compatible with acetone or ethanol. Use of organic solvents voids all warranties.

1.2 Safety

Power to the PROTEAN Plus Dodeca cell is supplied by an external DC voltage power supply (not included). The output of the power supply must be isolated from external ground to insure that the DC voltage output floats with respect to ground. All Bio-Rad power supplies meet this important safety requirement. Regardless of the power supply used, the maximum specified operating parameters for the PROTEAN Plus Dodeca cell are as follows:

1000 VDC	voltage limit
250 watts	power limit
40 °C	ambient temperature limit

The current to the cell enters the unit through the lid assembly that provides a safety interlock to the user. Always turn off the power supply before removing the lid. **Do not attempt to use the cell without the safety lid.**

Important: This Bio-Rad product is designed and certified to meet *EN61010-1 safety standards. Certified products are safe to use when operated in accordance with the instruction manual. This instrument should not be modified or altered in any way. Alteration of this instrument will

- Void the warranty
- Void the EN61010-1 certification, and
- Create a potential safety hazard

Bio-Rad is not responsible for any injury or damage caused by use of this instrument for purposes other than those for which it is intended or by modifications of the instrument not performed by Bio-Rad or an authorized agent.

*EN61010-1 is an internationally accepted electrical safety standard for laboratory instruments.

Section 2 Setting up PROTEAN Plus Dodeca Cell for the first time

2.1 Unpack the cell

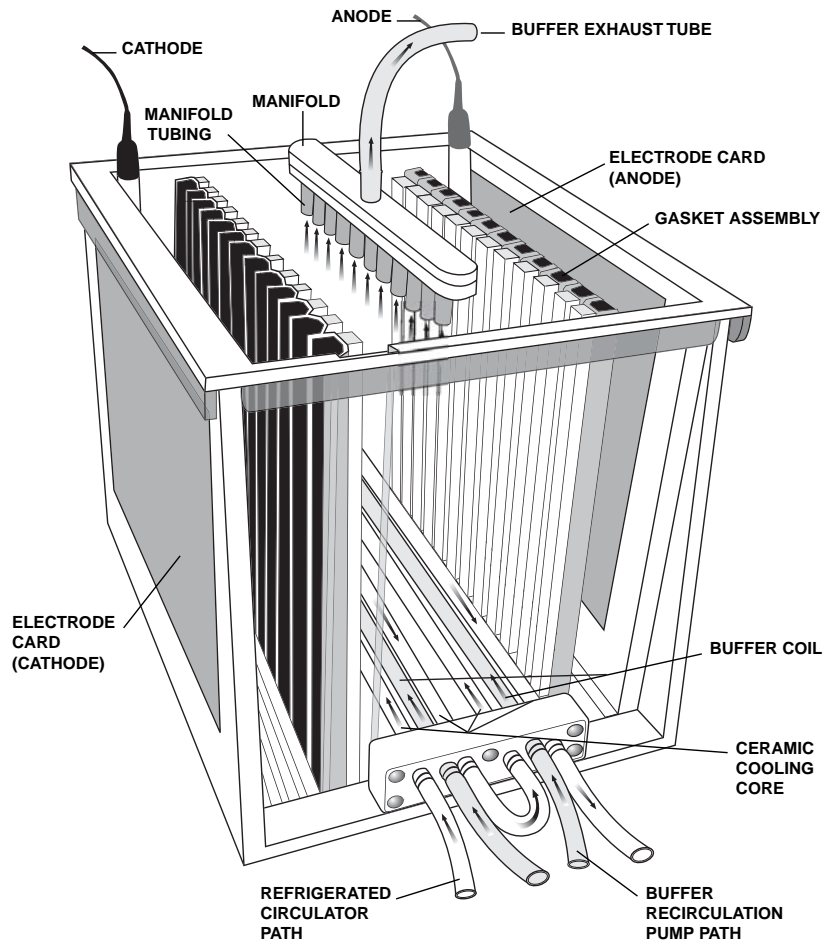
The complete PROTEAN Plus Dodeca Cell arrives in two boxes: The tank, lid, instructions and all required tubing are in one box, and the buffer recirculation pump is in a separate box.

PROTEAN Plus hinged spacer plates and combs are ordered separately and are individually packaged.

Carefully remove all components and inspect for damage.

2.2 Components

To get the best performance from your PROTEAN Plus Dodeca cell, familiarize yourself with the components by assembling and disassembling the cell before using it.



Buffer tank and lid

The buffer tank and lid combine to fully enclose the inner chamber during electrophoresis. The lid cannot be removed without disrupting the electrical circuit.

Ceramic cooling core	Coolant from a refrigerated circulator passes through the ceramic cooling core to cool the buffer during the electrophoresis run. An ethylene glycol:water (20:80) solution is recommended as coolant.
Buffer Recirculation Pump	The self-priming oscillating pump pulls buffer from the top of the cell and refills from the bottom of the cell through the buffer coil to maintain a constant temperature in the cell.
Buffer coil	The buffer coil sits on the bottom of the Dodeca Cell. The small holes in the coil release buffer around the ceramic cooling cores and into the Dodeca Cell.
Buffer exhaust tube	The buffer exhaust tube connects to the lid of the Dodeca Cell via a quick-connect fitting. The other end connects to the inlet of the Buffer Recirculation Pump.
Electrode cards	Plate electrodes are attached to the electrode cards for easy removal. The anode is made of platinum-coated titanium and the cathode is made of stainless steel. DO NOT reverse the direction of the current, as this will damage the electrode.
Gasket Assembly	This assembly contains the rubber gaskets that hold the gel cassettes in position. The rubber gaskets are mounted on an acrylic support for easy removal. The tank has three positions for the gasket assemblies: a single position on the anode side and two positions on the cathode side to accommodate different gel sizes.
Manifold	The manifold in the lid is part of the buffer recirculation system.
Manifold tubing	The manifold tubing is required for proper buffer recirculation. The manifold tubing is eleven pieces of Tygon tubing that attach to the black fittings of the manifold in the lid of the Dodeca cell. The manifold tubing is necessary when running Ready Gel precast gels or handcast gels in PROTEAN II plates. These plates are shorter and therefore the buffer level is lower in the tank. Since the buffer level does not reach the black fittings, the manifold tubing is required to extend into the buffer so it can be properly recirculated. Note: ALL eleven pieces of tubing must be used when running any number of precast or handcast PROTEAN II gel cassettes.

PROTEAN Plus hinged spacer plate

The hinged spacer plates close to form a gel cassette. The hinge is necessary to seal the bottom edge of the gel cassette so that the current pathway runs effectively through the gel.

Caution: Glass plates and glass spacers are sharp.

Gel releaser

The green gel releaser tool is used to open the cassette after electrophoresis and to separate the gel from the bonded spacers.

2.3 Setting up the Buffer Recirculation Pump

Carefully remove the Buffer Recirculation Pump from the shipping box. The pump includes a power cord and spare fuses. The Buffer Recirculation Pump is the key component of the Buffer Recirculation Pathway (BRP). The proper set up of the BRP is shown below in a schematic drawing (Figure 2.3A). The buffer exhaust tube connects from the the lid to the pump. The other end of the pump connects into the bottom of the cell. The BRP pulls buffer up through the lid and it flows down through the pump and back into the cell at the bottom of the tank through the acrylic tubes. Setting up the BRP in the inverse direction will result in inadequate buffer recirculation and the temperature throughout the tank will not be uniform. This will cause distortions in the protein resolution patterns in the gels.

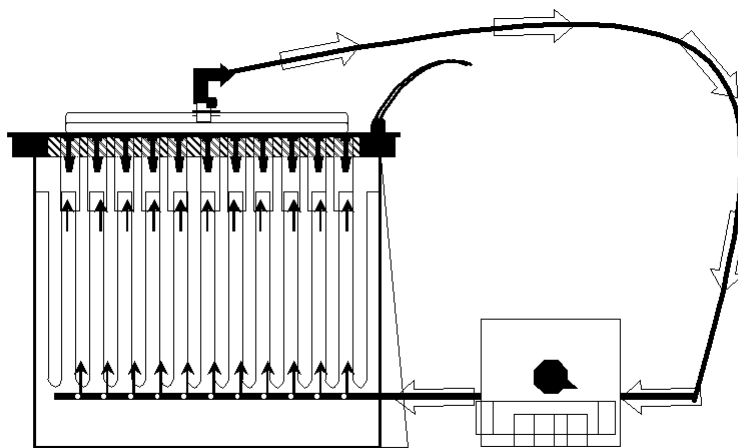


Fig. 2.3A. Proper Set-up of the Buffer Recirculation Pathway (BRP).

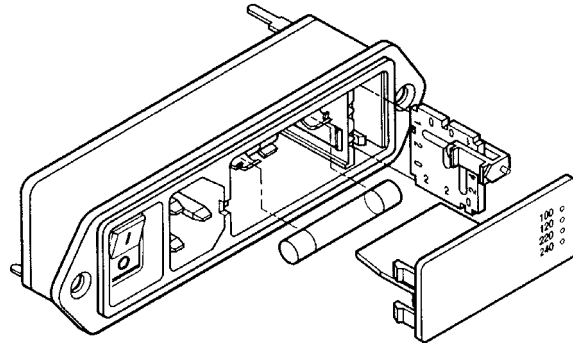
2.3.1 Voltage conversion

The Buffer Recirculation Pump is shipped in its 120 V or 220 V version. To operate at other voltages, refer to the procedure below. Warning: Failure to follow this procedure may result in damage to the unit and invalidation of the warranty.

Power is supplied to the Buffer Recirculation Pump via a power entry module consisting of:

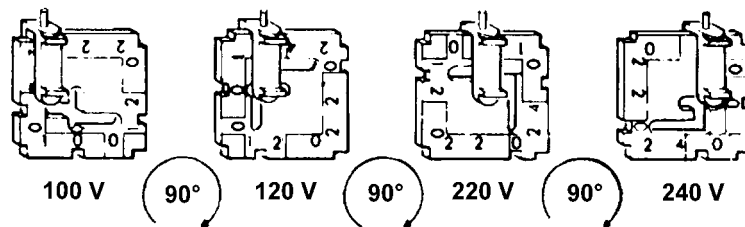
- On/off switch: A two-position rocker switch is located on the rear panel. “I” is ON, “O” is OFF.
- Power cord receptacle: Grounded three-pin receptacle for the power cord
- Fuse holder/line voltage selector: Four-position line voltage selector and fuse holder.

Prior to connecting the power cord to the power entry module and wall outlet, verify that the voltage indicated on the power entry module matches your line voltage. If it does not, follow this procedure to make the conversion.



Using a screwdriver or similar tool, pry open the fuse holder cover. If necessary, replace the fuses with ones having the correct current rating. For 100 V and 120 V operation, ensure that two 0.25 A fuses are inserted in the upper and lower fuse holders. For 220 V and 240 V operation, insert two 0.125 A fuses into the fuse holders.

Pull the voltage selector card located at the end opposite the power switch straight out from the housing. Do not damage the plastic indicator pin or the metal contacts on the selector card. The indicator pin can be moved across the slot located on the voltage selector card. To set the required operating voltage of the pump, orient the selector card so that the desired voltage is readable at the bottom. Orient the indicator pin to point upwards when desired voltage is readable at the bottom.



The indicator pin must slide into the notch located on the outside edge of the voltage selection card. Insert voltage selector card into the housing, with the edge specifying desired voltage first and the printed side facing the on/off switch. Replace the cover, and verify that the indicator pin shows the desired voltage.

2.3.2 Operation

To operate the Buffer Recirculation Pump, plug the pump into an appropriate grounded power source.

The pump is shipped with tubing attached. Note the specified direction of the pump outlet tubing flow. Connect the pump outlet tubing to the Dodeca Cell buffer inlet, found on the back of the Dodeca Cell. (Refer to diagram on page 3.) Connect the other end, the pump inlet tubing, to the buffer exhaust tube on the lid of the Dodeca Cell. Set the dial to 100 (maximum flow rate).

Note: Do not turn on the pump. Wait until the lid is attached to the cell, and you are ready to start the run.

2.4 Additional required components

Refrigerated circulator

The PROTEAN Plus Dodeca Cell requires a refrigerated circulator for optimal results. The refrigerated circulator works in conjunction with the buffer recirculation system to provide efficient cooling. The PROTEAN Plus Dodeca cell has a built-in ceramic cooling core that must be connected to a refrigerated circulator. The refrigerated circulator must be able to maintain the buffer temperature of 18–20°C during electrophoresis (see note below). Tubing with 3/8" ID connects the Dodeca cell to the refrigerated circulator. Insert the male quick-connect fittings (included with the Dodeca cell) into the inlet and outlet tubing on the refrigerated circulator. The buffer coil in the Dodeca cell has no specific orientation, so direction of flow is not specified. An ethylene glycol:water (20:80) solution is recommended as coolant.

The recommended minimum cooling capacity of the refrigerated circulator is 240W and pump flow rate is 4 liters/ minute. A specific refrigerated circulator is not required, any refrigerated circulator with a similar flow rate and cooling capacity is sufficient to use with the Dodeca Cell. Some recommended chillers include the Model RTE-111 and RTE-101 from Thermo NESLAB and the Model WKL 26 from Thermo Haake.

Vacuum grease

Dow Corning high vacuum grease (Dow Corning part number 1597418) is suggested. Grease is required when using unhinged glass plate cassettes.

Multi-casting chamber

The PROTEAN Plus multi-casting chamber is required if gels are handcast. Product information is available in section 6.

Gradient former

The Model 495 Gradient Former is required if gradient gels are handcast. Product information is available in section 6.

Section 3 Preparing for Electrophoresis

3.1. Buffer preparation

Prepare 17–23 liters of electrophoresis buffer to fill the buffer tank. The minimum volume is required to run twelve 18 x 20 cm gels; the maximum volume is required to run twelve 25 x 20.5 cm gels.

Note: The refrigerated circulator used during development of the Dodeca cell (Forma Scientific Model 2006 Bath and circulator) was set to 15°C and had a flow rate of 3.8 liters per minute. Under these conditions the buffer temperature during electrophoresis was maintained at 18–20°C.

Standard running buffer formulations:

Tris/Glycine/SDS

25mM Tris-Base (M.W. 121.1), 192mM Glycine (M.W. 75.07), 0.1% SDS, pH 8.3
(Do not adjust the pH with acid or base. If the pH is not accurate remake the buffer).

Tris/Tricine/SDS

100mM Tris-Base (M.W. 121.1), 100mM Tricine (M.W. 179.2), 0.1% SDS, pH 8.3
(Do not adjust the pH with acid or base. If the pH not accurate remake the buffer).

Premixed buffers are available (see section 6). Mix 1 liter of the premixed 10x buffer with 9 liters of distilled water to prepare 10 liters of 1x running buffer.

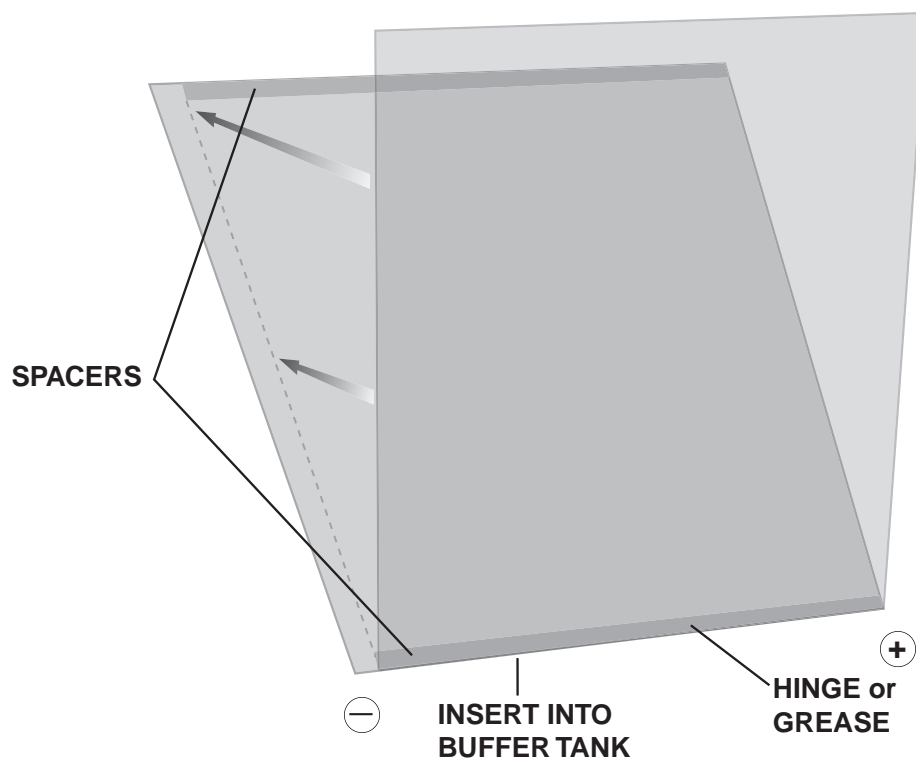
3.2 Gel Preparation

All gels in a single electrophoresis experiment must use the same electrophoresis buffer system. If running gels with different % acrylamide, run times between gels may vary slightly. Please refer to the PROTEAN Plus multi-casting chamber and the Model 495 Gradient Former instruction manuals for instructions on handcasting gels in the PROTEAN Plus hinged spacer plates.

Reminder: 16 x 16 cm gels are not recommended to run in the PROTEAN Plus Dodeca Cell.

3.2.1 Orientation of gels inside the cell

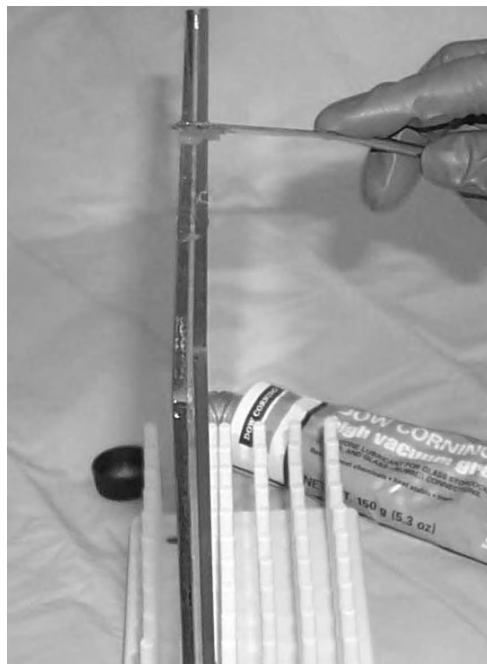
Orientation inside the Dodeca Cell is identical, regardless of which type of plate is used. With the PROTEAN Plus Dodeca Cell, the gel cassette is rotated 90° so that the hinged side sits near the bottom of the tank. If PROTEAN II Ready Gel precast or handcast gels are run, the greased side sits near the bottom of the tank.



3.2.2 PROTEAN Plus gel cassette preparation

Cast gels in the PROTEAN Plus hinged spacer plates as directed in the PROTEAN Plus Multi-Casting Chamber and Model 495 Gradient Former instruction manuals.

3.2.3 PROTEAN II Ready Gel precast gel and PROTEAN II glass plate Preparation



The PROTEAN II Ready Gels with the IPG comb and the 20 x 20 cm PROTEAN II glass plates are compatible with the PROTEAN Plus Dodeca cell. To prevent current leaks, the side of the gel placed at the bottom of the tank **MUST** be greased with high vacuum grease. Prior to loading an IPG strip, dry the edge of the cassette and then heavily coat the entire edge of the glass plates and spacer with high vacuum grease using a spatula (Figure 3.2.3A).

For further information on precast gels refer to the PROTEAN II Ready Gel user manual for complete precast gel instructions.

Fig. 3.2.3A. Applying grease to PROTEAN II handcast or Ready Gel precast gel cassettes.

3.3 IPG Strips Preparation and Loading

See the Ready Strip™ IPG strips instruction manual for proper first-dimension preparation.

Position the slab gel cassette so that it is leaning slightly backwards at a small angle, the 6-row AnyGel Stand was designed for this application (Catalog # 165-5131). The best way to apply a standard lane is using a piece of filter paper, the precut electrode wicks (Catalog # 165-4071) that are used with the PROTEAN IEF cell work well. Pipette 10 μ l of Precision unstained protein standards (Catalog # 161-0363) onto a single wick and allow the liquid to dry. Using forceps place the wick on the slab gel, either in a reference well or just sitting on top of the slab gel, make sure to leave enough room for the strip. Prepare a 50–100 ml graduated cylinder filled with running buffer, then while holding the IPG strip vertically with forceps, dip the IPG strip into the buffer. Place the IPG Strip onto the long plate with the plastic backing against the plate. Slide the strip down in between the plates using a thin spatula and pushing against the plastic backing. Be careful not to damage the gel with the spatula. Make sure the IPG strip is positioned directly on top of the slab gel. To secure the strip in place overlay with 1.0% agarose prepared in SDS-PAGE running buffer (a small amount of Bromophenol Blue can be added to the agarose overlay in order to track the ion front). Bubbles may form under or behind the strip when adding the agarose overlay, these may

disturb the protein resolution pattern and need to be removed. Immediately after overlaying, use the spatula and tap on top of the strip against the plastic backing to remove any bubbles. Allow the agarose to fully set prior to loading the gel at a 90° angle into the PROTEAN Plus Dodeca cell.

3.4 Cell Assembly

Before the cell is used for the first time, remove the gasket assembly and rinse the gasket assembly and the cell thoroughly with distilled water to remove residual powder. Replace the gasket assembly in its proper orientation, with the rivets to the inside and the rubber gaskets flaring towards the plate electrodes (Figure 3.4A). Check after each use to make sure the gaskets are not torn or wrinkled.

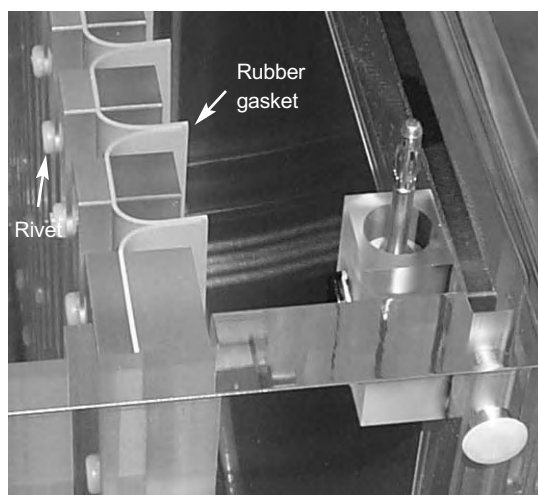


Fig. 3.4A. Proper orientation for the gasket assembly.

Pour some buffer directly over the gaskets assemblies to prewet the rubber gaskets. This allows the gel cassettes to slide into the tank more easily and it helps prevent the gaskets from tearing.

Attach the refrigerated circulator to the PROTEAN Plus Dodeca cell. The refrigerated circulator must be able to maintain the buffer temperature of 18-20°C during electrophoresis. Tubing with 3/8" ID connects the Dodeca cell to the refrigerated circulator. Insert the male quick-connect fittings (included with the Dodeca cell) into the inlet and outlet tubing on the refrigerated circulator. The buffer coil in the

Dodeca cell has no specific orientation, so direction of flow is not specified. An ethylene glycol:water (20:80) solution is recommended as coolant.

Using two hands, insert the gel cassettes into the tank hinge side down (PROTEAN Plus hinged spacer plates) or greased side down (PROTEAN II handcast or Ready Gel precast gel cassettes).

Note: Do not bump or scratch the electrodes with the corners of the glass plates.

For Laemmli buffer system applications, the top of the gel is positioned next to the cathode (negative/ black electrode card) so that the sample migrates toward the anode (positive/ red electrode card).

Note: Be sure the gasket is flared out toward the electrode. Check to make sure the gasket is not torn or wrinkled.

Fill the tank with the remaining buffer so that the level of the buffer is set just below (about 3mm) the height of the plates. The level of the buffer is very important to obtaining excellent results. If the buffer level is too high and the gels are completely immersed in buffer, there will be a significant current leak on the top part of the gels and the results will be negatively affected. The results will illustrate a "smiling effect" on that side of the gels. If the buffer level is too low, the buffer will not be recirculated properly and the top portion of the gels will get warmer and run faster. The results will illustrate a "frowning effect" on that side of the gels.

When running PROTEAN II Ready Gels or 20 x 20 cm PROTEAN II gels, install the eleven pieces of manifold tubing onto the black fittings in manifold in the lid. The manifold tubing is not required when running the PROTEAN Plus hinged spacer plates, or other large plates (greater than 26.5 cm wide), because these plates reach the height of the black fittings. Once the manifold tubing is attached position the pieces of tubing in between the gel cassettes so that it extends into the buffer (Figure 3.4B).

Note: ALL eleven pieces of tubing must be used when running any number of precast or handcast PROTEAN II gel cassettes. Using less than eleven pieces of tubing may decrease the cooling efficiency of the system and adversely affect the results.

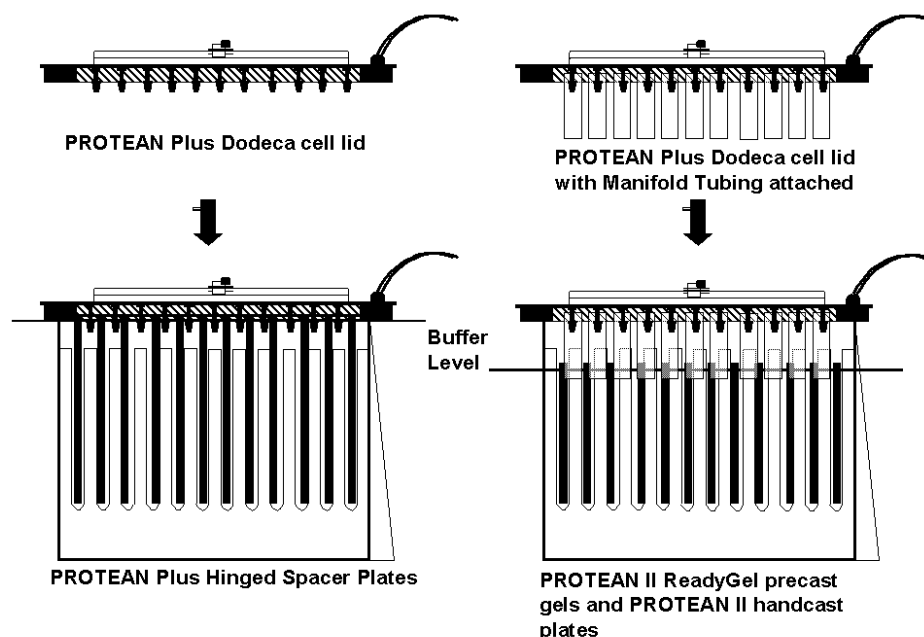


Fig. 3.4B. Schematic diagram illustrating the proper use of the manifold tubing.

Place the lid on the tank and make sure the recirculation pump tubing is connected to the manifold in the lid via the quick connect fitting. Set the Buffer Recirculation Pump to the maximum setting (100) and turn it on. Check to make sure all the quick connect fittings are tight and secure and that no buffer is leaking out.

3.5 Starting the electrophoresis run

Be sure to check the following:

- The gel is placed in the tank with the hinged side down. If you are using unhinged PROTEAN II Ready Gel precast gels, be sure the greased side is down.
- The top of the gel is positioned next to the cathode (negative/black electrode card).
- The level of buffer in the tank is set just below (about 3 mm) the top of the plates. Make certain the entire gel area is submerged in buffer.

Connect the Dodeca Cell to the PowerPac 200 power supply.

Recommended Running Conditions

200 V constant

~6 hours*

*The PowerPac 200 power supply may be at its power limit at the start of the run for the 25 cm gel size. Typically, within 30–60 minutes the current drops and the voltage reaches 200 V.

Good laboratory practice: When running an application at constant current, a power or voltage limit should be set. This also applies when running at constant voltage: set a current or power limit. This will prevent extreme power conditions.

3.6 Removing the Gel

After the electrophoresis run is complete, turn off the power supply, the Buffer Recirculation Pump and the refrigerated circulator, and remove a glass cassette from the buffer tank using two hands.

Note: Do not bump or scratch the electrodes.

Place the gel cassette on the benchtop, short plate facing upward and the hinge to the left. Insert the gel releaser between the short and long plate at the top right corner. Pull the gel releaser up, lifting the short plate (Figure 3.6A).

Continue lifting the short plate until it is opened completely (180°). Do not open the cassette past 180°, as this will strain the polymer hinge. In most cases the gel sticks to the spacer plate.



Fig. 3.6A. Open the gel cassette.

Run the gel releaser along each spacer to release the gel from the spacer and prevent the gel from tearing (Figure 3.6B).

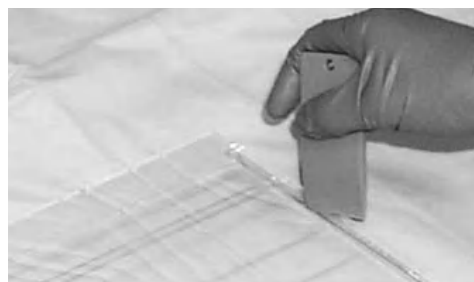


Fig. 3.6B. Run gel releaser along each spacer to loosen gel.

Pick up the gel by gently lifting the bottom of the gel first with two hands and then slowly continue lifting upward until the gel is completely off the plate (Figure 3.6C).



Fig. 3.6C. Gently lift the gel from the plate.

Transfer the gel to a staining container.

Alternatively, a clean and dry separation sheet can be used to help lift the gel from the plate. Place a separation sheet on top of the gel. Press down

on the separation sheet so that the gel sticks to the sheet. Start at one of the bottom corners and slowly lift up the corner of the separation sheet and gel. Hold the corner of the gel against the corner of the separation sheet and then roll the two together diagonally towards the opposite upper corner (Figure 3.6D) the plate continue lifting the remainder of the gel straight off the plate and transfer the gel to a staining container.

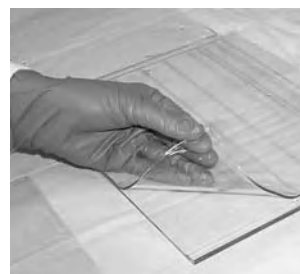


Fig. 3.6D. Use a separation sheet to lift the gel from the plate.

Section 4 Maintenance

The PROTEAN Plus Dodeca Cell tank, gaskets, electrode cards and lid should be rinsed after each use. For long term storage, flush all parts thoroughly with water to completely remove any residual buffer.

For best performance, fresh buffer should be prepared for each run.

Section 5 Troubleshooting Guide

Problem	Cause	Solution
1. Smile effect– band pattern curves upward at both sides of the gel	a. Center of the gel running hotter than either end	a. Improper cooling. The cooling coil and refrigerated circulator MUST be used in order to maintain buffer temperature at approximately 20 °C. Measure the buffer temperature and adjust the refrigerated circulator settings.
	b. Power conditions are excessive	b. Decrease voltage from 200 V to 150 V or make sure buffer is filled to correct level.
	c. Plate not greased properly causing current leaks. (If using non-hinged cassettes).	c. Apply an excess amount of grease along the entire edge of the dry plate. Do not remove the plate from the tank once it is inserted down into position until the run is complete. This could loosen the grease and cause it to fall out.
2. Frowning effect–band pattern curves downward at one or both sides of the gel.	a. The buffer is not recirculated properly and the edges of the gel are getting warmer than the middle of the gel.	a. Check the Buffer recirculation set-up (see Section 2.3). Make sure the black fittings or manifold tubing in the lid are extending just past the buffer level. The black fittings or manifold tubing cannot extend too far into the buffer; otherwise the buffer at the very top will not be recirculated properly.
3. Run takes unusually long time.	a. Ion depletion in running buffer	a. Prepare and use fresh buffer.
	b. Running buffer too concentrated	b. Check buffer protocol and dilute buffer if necessary.
4. Changes in protein mobility or band sharpness.	a. Ion depletion in running buffer	a. Prepare and use fresh buffer.
	b. Gels running too hot.	b. Same as #1 solution a and b.
Problem	Cause	Solution

Problem	Cause	Solution
5. SDS is precipitating.	a. Running buffer is too cold.	a. Set the refrigerated circulator to maintain a buffer temperature of approximately 20 °C.
6. Agarose slides out of the cassette inside the cell.	a. The agarose is less than 1.0%.	a. Carefully measure the agarose powder to 1.0%.
7. Buffer in the anode side of the tank turns yellow after a few runs.	a. An electrochemical reaction is taking place—a component in the Tris buffer is oxidized. This reaction always occurs during electrophoresis, but with the Dodeca cell the large surface area of the plate electrodes intensifies this reaction and thus causes the buffer to turn yellow very quickly.	a. We recommend using fresh buffer for each run.

Section 6

Product Information and Accessories

PROTEAN Plus Dodeca Cell

Catalog Number	Description
165-4150	PROTEAN Plus Dodeca Cell , 100/120V, includes tank and lid, buffer recirculation pump with tubing.
165-4151	PROTEAN Plus Dodeca Cell , 220/240V, includes tank and lid, buffer recirculation pump with tubing.
165-4153	Replacement Tubing Kit , complete, includes all tubing required to set up the buffer recirculation pathway.
165-4154	Replacement Gasket Assembly
165-4155	Electrode Card: ANODE
165-4156	Electrode Card: CATHODE
165-4157	Replacement Lid
165-4166	Manifold tubing , qty 11
165-4167	Buffer Exhaust Tubing , includes quick-connect fittings.
165-4158	Buffer Recirculation Pump , 100/120V
165-4159	Buffer Recirculation Pump , 220/240V
165-3320	Gel Releaser Tool , 5

Tygon is a registered trademark of Norton Co.

PROTEAN Plus Multi-Casting Chamber

Catalog Number	Description
165-4160	PROTEAN Plus Multi-Casting Chamber , includes chamber, sealing plate, silicone gasket, tapered luer connector, leveling bubble, acrylic blocks (1 each of 1.5 mm, 3 mm, 6 mm; and 5 of 12 mm), separation sheets, gel releasers, stopcock, tubing
165-4161	Replacement acrylic block , 1.5 mm, 1
165-4162	Replacement acrylic block , 3 mm, 1
165-4163	Replacement acrylic block , 6 mm, 1
165-4164	Replacement acrylic block , 12 mm, 1
165-4165	Separation Sheets, for the PROTEAN Plus Dodeca Cell , 15
165-4170	PROTEAN Plus hinged spacer plate , 20 X 20.5 cm, 1.0 mm, 1
165-4171	PROTEAN Plus hinged spacer plate , 20 X 20.5 cm, 1.5 mm, 1
165-4172	PROTEAN Plus hinged spacer plate , 20 X 20.5 cm, 2.0 mm, 1
165-4173	PROTEAN Plus hinged spacer plate , 25 X 20.5 cm, 1.0 mm, 1

PROTEAN Plus Multi-Casting Chamber (Continued)

Catalog Number	Description
165-4174	PROTEAN Plus hinged spacer plate , 25 X 20.5 cm, 1.5 mm, 1
165-4175	PROTEAN Plus hinged spacer plate , 25 X 20.5 cm, 2.0 mm, 1
165-4176	PROTEAN Plus comb, 2-D (1 reference well) , 20 cm, 1.0 mm, 1
165-4177	PROTEAN Plus comb, 2-D (1 reference well) , 20 cm, 1.5 mm, 1
165-4178	PROTEAN Plus comb, 2-D (1 reference well) , 20 cm, 2.0 mm, 1
165-4179	PROTEAN Plus comb, 2-D (1 reference well) , 25 cm, 1.0 mm, 1
165-4180	PROTEAN Plus comb, 2-D (1 reference well) , 25 cm, 1.5 mm, 1
165-4181	PROTEAN Plus comb, 2-D (1 reference well) , 25 cm, 2.0 mm, 1

Model 495 Gradient Former

Catalog Number	Description
165-4121	Model 495 Gradient Former , includes body with valve stem and tubing connection kit
165-2005	Exponential Piston

Power supply

Catalog Number	Description
165-5052	PowerPac 200 power supply , 100/120 V
165-5053	PowerPac 200 power supply , 220/240 V
165-5062	PowerPac shelf ; attaches to the underside of a shelf and holds the PowerPac 200 power supply

Premixed electrophoresis buffers

Catalog Number	Description
161-0772	10x Tris/Glycine/SDS , 5 L
161-0757	10x Tris/Glycine , 5 L

Section 7 Warranty Information

The PROTEAN Plus Dodeca cell is warranted for 1 year against defects in materials and workmanship. If any defects should occur during this warranty period, Bio-Rad Laboratories will replace the defective parts without charge. However, the following defects are specifically excluded:

- Defects caused by improper operation
- Repairs or modifications performed by anyone other than Bio-Rad Laboratories or their authorized agent.
- Damage caused by accidental misuse
- Damage caused by disaster
- Common replacement parts including platinum wire and power cables
- Damage caused by the use of organic solvents

For inquiries or to request repair service, contact your local Bio-Rad office

Warranty Information

Model _____

Catalog Number _____

Date of Delivery _____

Serial Number _____

Invoice Number _____

Purchase Order Number _____

